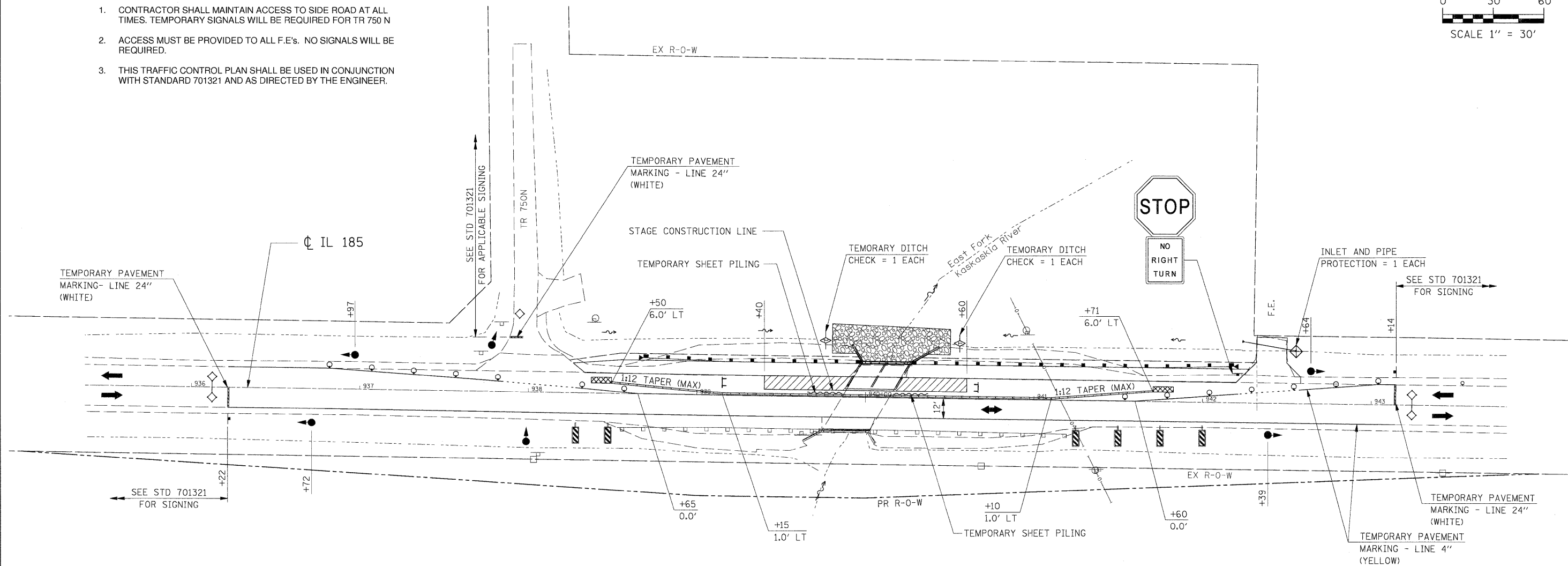
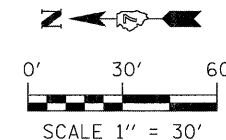


**GENERAL STAGING NOTES:**

1. CONTRACTOR SHALL MAINTAIN ACCESS TO SIDE ROAD AT ALL TIMES. TEMPORARY SIGNALS WILL BE REQUIRED FOR TR 750 N
2. ACCESS MUST BE PROVIDED TO ALL F.E.'s. NO SIGNALS WILL BE REQUIRED.
3. THIS TRAFFIC CONTROL PLAN SHALL BE USED IN CONJUNCTION WITH STANDARD 701321 AND AS DIRECTED BY THE ENGINEER.



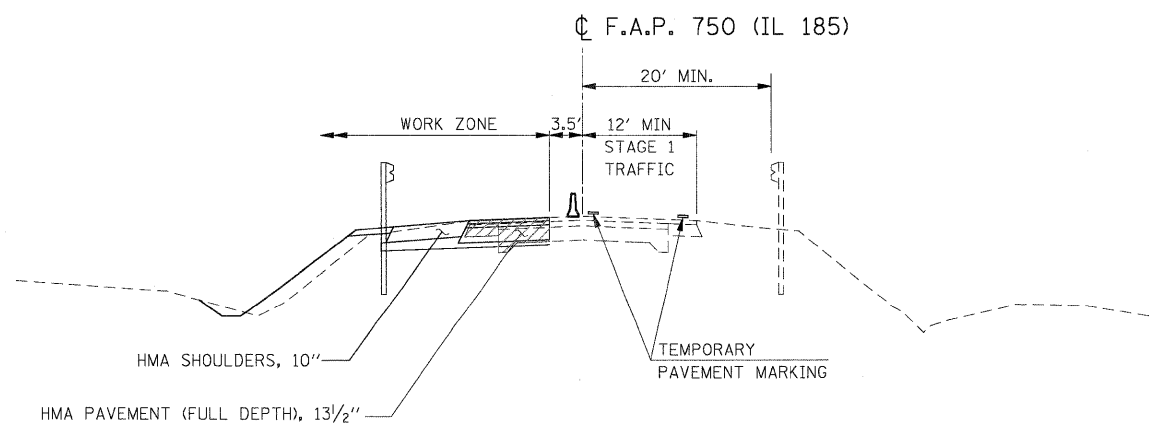
**SEQUENCE OF CONSTRUCTION:**

**STAGE 1 TRAFFIC:**

- SET UP TEMPORARY TRAFFIC CONTROL UTILIZING THESE PLANS IN CONJUNCTION WITH STANDARD 701321.
- INSTALL TEMPORARY TRAFFIC SIGNALS AND LOOP DETECTORS AT LOCATIONS SHOWN ON THESE PLANS AND STANDARD 701321.
- PLACE TEMPORARY CONCRETE BARRIER AND PAVEMENT MARKING IN ACCORDANCE WITH THESE PLANS AND STANDARD 701321.
- REMOVE ANY CONFLICTING PAVEMENT MARKINGS.
- CHANNEL ALL TRAFFIC TO WEST SIDE OF STRUCTURE.

**STAGE 1 CONSTRUCTION:**

- INSTALL TEMPORARY SHEET PILING PRIOR TO ANY EXCAVATION.
- REMOVE STAGE 1 PORTION OF EXISTING BOX CULVERT & PAVEMENT.
- CONSTRUCT STAGE 1 PORTION OF BOX CULVERT AND RIP RAP.
- CONSTRUCT STAGE 1 PORTION OF DRAINAGE ITEMS.
- CONSTRUCT PROPOSED GUARDRAIL ON EAST SIDE OF ROAD.



**STAGE 1 TYPICAL SECTION**

**LEGEND**

- SIGN
- DRUM WITH STEADY BURNING LIGHT (BI-DIRECTIONAL)
- TRAFFIC SIGNAL
- TEMPORARY CONCRETE BARRIER
- IMPACT ATTENUATOR, TEMPORARY
- PAVEMENT REMOVAL
- DIRECTION OF TRAFFIC
- TYPE III BARRICADE
- LOOP DETECTORS
- DOUBLE VERTICAL PANEL

FILE NAME =	USER NAME = IE Consultants	DESIGNED -	REVISED -	<b>STATE OF ILLINOIS DEPARTMENT OF TRANSPORTATION</b>	<b>MAINTENANCE OF TRAFFIC STAGE 1</b>	F.A. RTE.	SECTION	COUNTY	TOTAL SHEETS	SHEET NO.
GA\S08026-5\CADD Sheets\0774118-shr-STAGE 1.dgn	ING01-L.dgn	DRAWN -	REVISED -			• 114B-1(1) & 114B-1(2)	FAYETTE	54	16	
PLOT SCALE = 30,0000' / IN.	CHECKED -	REVISED -	REVISED -			• F.A.P. RTE. 750, F.A.S. RTE. 719	CONTRACT NO. 74110			
PLOT DATE = 9/29/2009	DATE -	REVISED -	REVISED -			FED. ROAD DIST. NO. [ILLINOIS] FED. AID PROJECT				