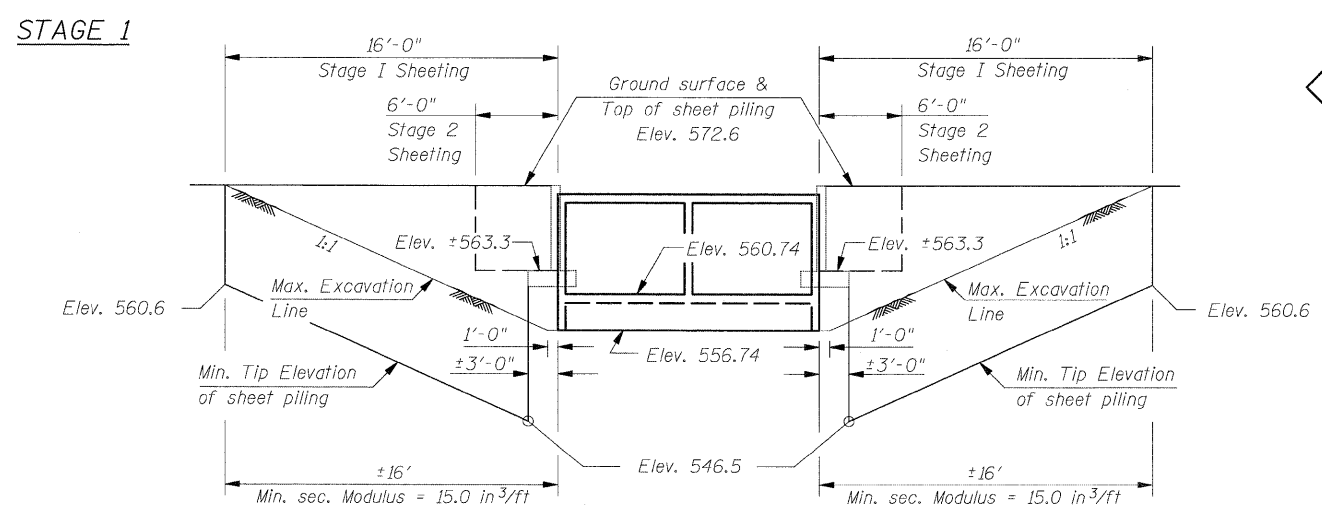
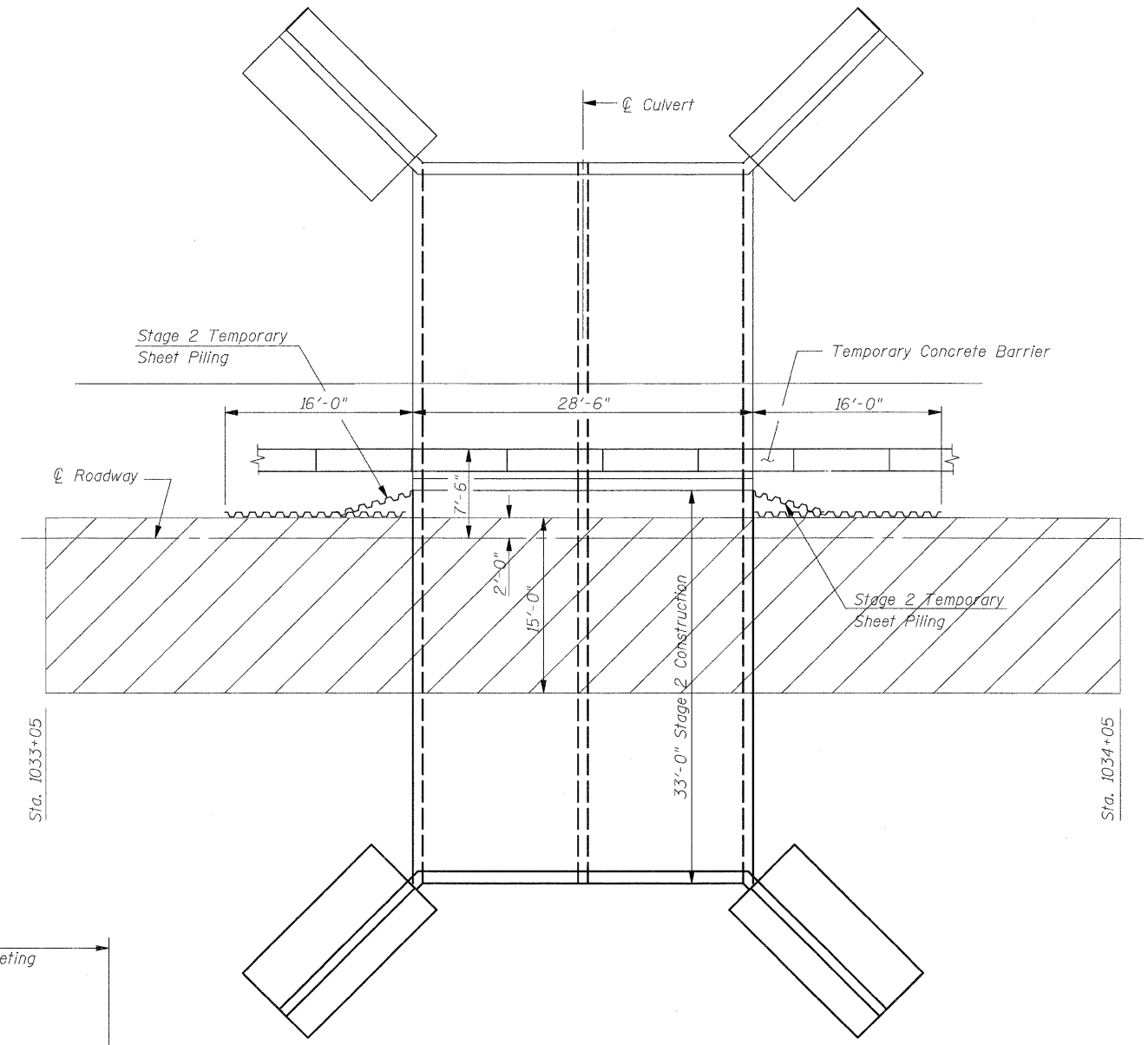
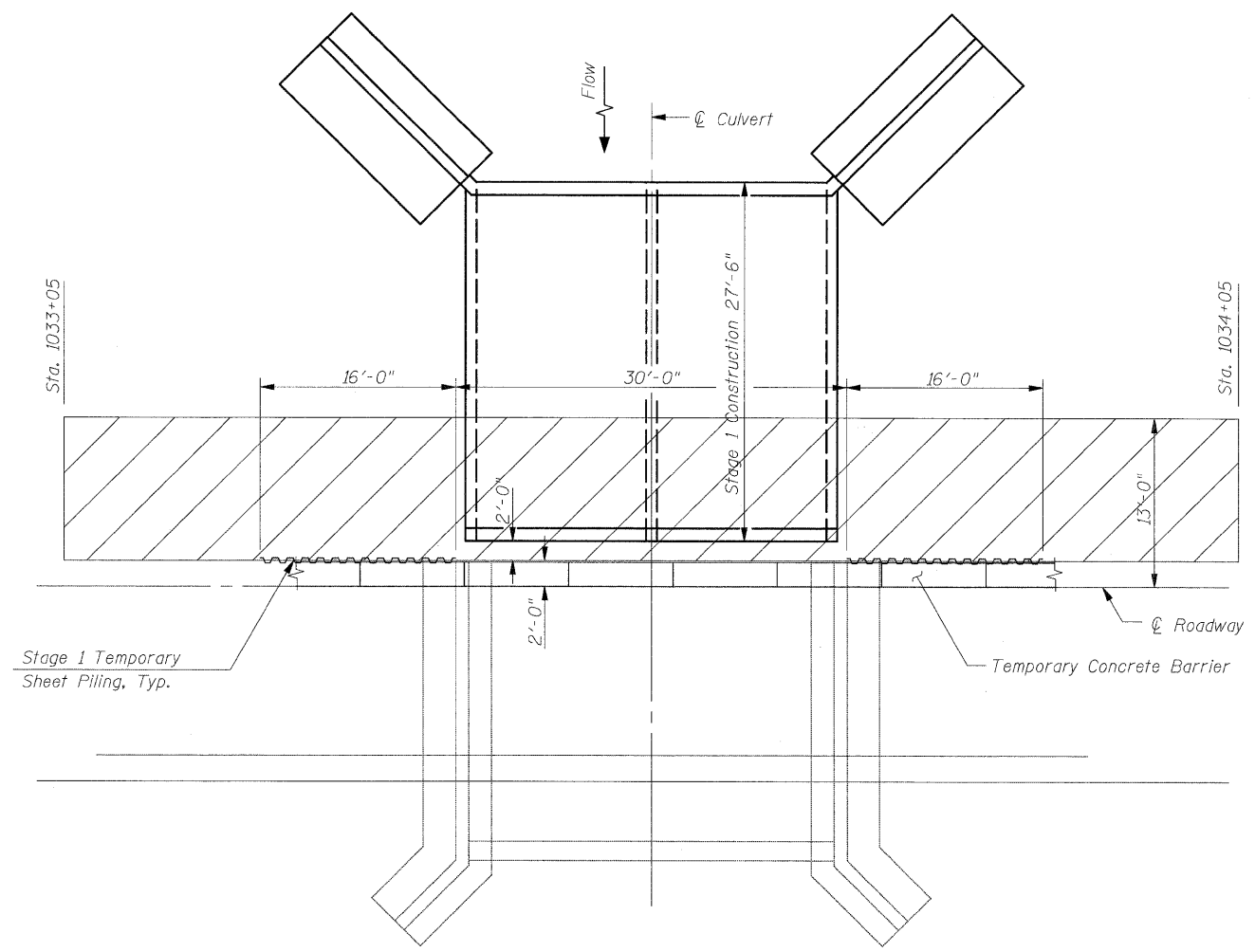


STATE OF ILLINOIS  
DEPARTMENT OF TRANSPORTATION



STAGE 2

**LEGEND**  
 - Pavement Removal

**TEMPORARY SHEET PILING**

**Notes:**  
 If the Contractor chooses to alter the temporary cantilevered sheet piling design requirements shown on the plans, a design submittal including plan details and calculations will be required for review and acceptance by the Engineer.  
 The Contractor shall connect the first sheet to the existing abutment wall to ensure stability of sheets driven to the top of the existing footing. This connection shall be reviewed and accepted by the Engineer and included in the cost for Temporary Sheet Piling.

**STAGE CONSTRUCTION DETAILS & TEMPORARY SHEET PILING**  
 S.N. 026-2019

DESIGNED	SCD
CHECKED	DRB
DRAWN	THW
CHECKED	SCD

**ie** consultants  
 IE CONSULTANTS, INC  
 6420 SOUTH SIXTH STREET  
 SPRINGFIELD, ILLINOIS 62712  
 TEL: (217) 529-8037  
 FAX: (217) 529-4543  
 IESPRINGFIELD@IE-CONSULTANTS.COM  
 WWW.IE-CONSULTANTS.COM

SHEET NO.	F.A. RTE.	SECTION	COUNTY	TOTAL SHEETS	SHEET NO.
2	*	114B-1(1) & 114B-1(2)	FAYETTE	54	43
OF 9 SHEETS	* F.A.P. RTE. 750, F.A.S. RTE. 719		CONTRACT NO. 74110		
FED. ROAD DIST. NO.		ILLINOIS FED. AID PROJECT			