

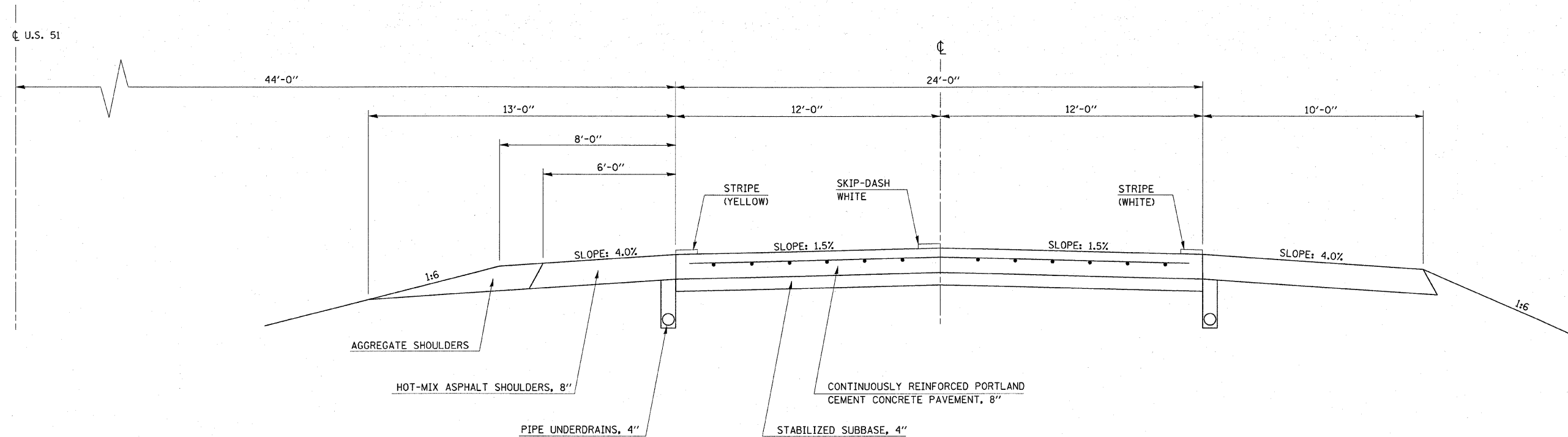
EXISTING TYPICAL CROSS SECTION

F.A.P. 322

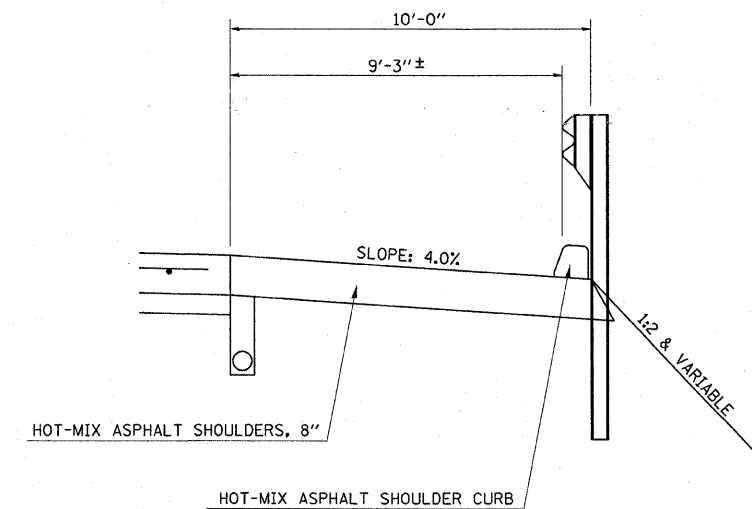
STATION	TO	STATION
120+00.00		367+40.00

BRIDGE OMISSION

STATION	TO	STATION
132+49.30		135+39.34
141+84.12		143+20.27
233+12.40		235+86.50



STATION	TO	STATION
135+75.34		141+74.74
236+22.50		243+19.77



FILE NAME =	USER NAME = swartzrw	DESIGNED -	REVISED -	STATE OF ILLINOIS DEPARTMENT OF TRANSPORTATION	TYPICAL CROSS SECTIONS			F.A.P. RTE.	SECTION	COUNTY	TOTAL SHEETS	SHEET NO.
c:\pwork\PWID01\SWARTZRW\d2138944\d7	4150-ah-typical1.dgn	DRAWN -	REVISED -					322	(58-20)RS	MACON	151	7
	PLOT SCALE = 28.0000' / IN.	CHECKED -	REVISED -		SCALE: NA SHEET NO. 1 OF 2 SHEETS STA. TO STA.			CONTRACT NO. 74150				
	PLOT DATE = 3/17/2010	DATE -	REVISED -		ILLINOIS FED. AID PROJECT							