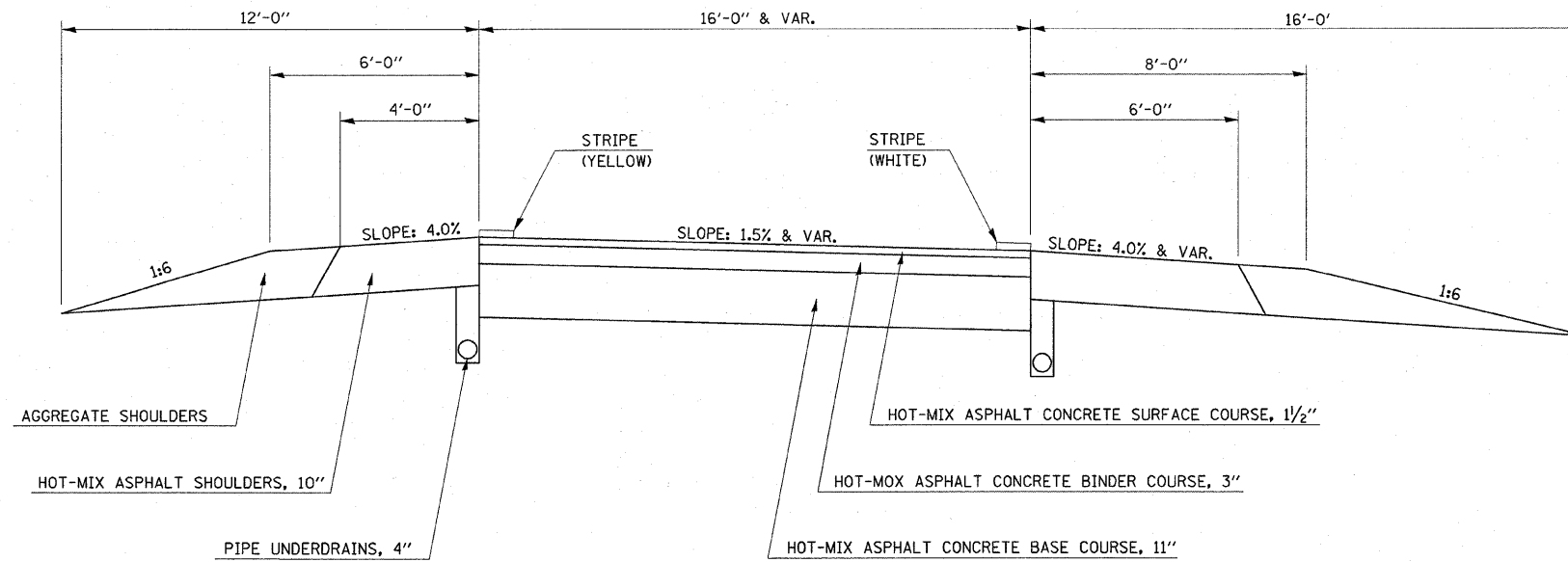


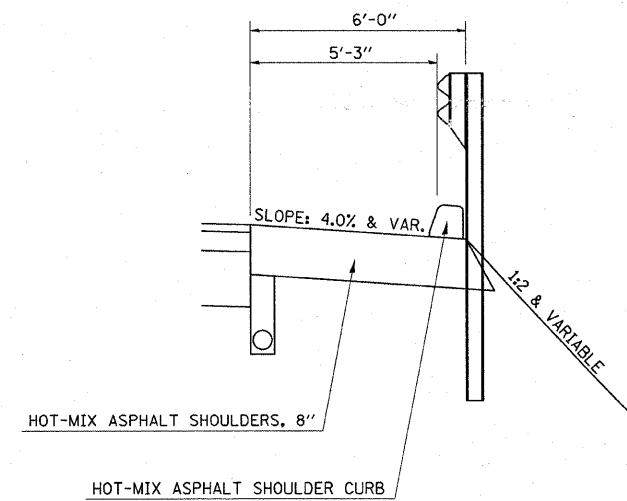
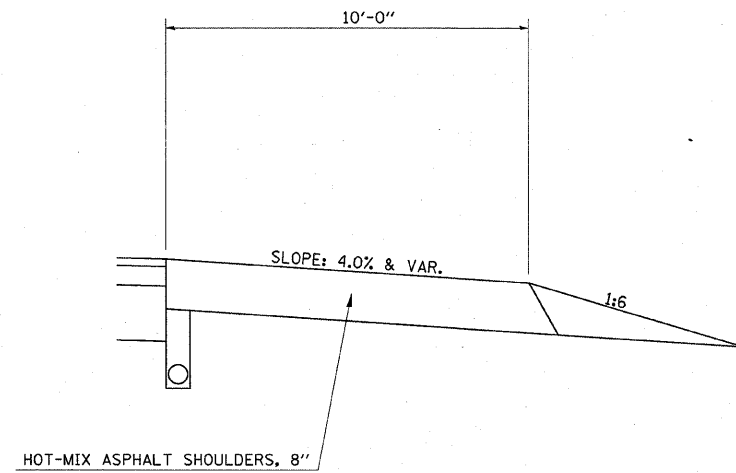
EXISTING RAMP TYPICAL CROSS SECTION

RAMPS A, B, C & D (U.S. 51 / U.S. (BUS.) 51)
RAMPS A, B, C & D (U.S. 51 / IL. 48)



STATION	TO	STATION
316+55.93		322+13.18 (RAMP B U.S. 51 / U.S. (BUS.) 51)
700+65.96		706+00.00 (RAMP C U.S. 51 / U.S. (BUS.) 51)

STATION	TO	STATION
301+74.99		307+96.00 (RAMP B U.S. 51 / U.S. (BUS.) 51)
714+50.00		718+43.14 (RAMP C U.S. 51 / I.S. (BUS.) 51)



FILE NAME =	USER NAME = swartzrw	DESIGNED -	REVISED -	STATE OF ILLINOIS DEPARTMENT OF TRANSPORTATION	TYPICAL CROSS SECTIONS			F.A.P. RTE.	SECTION	COUNTY	TOTAL SHEETS	SHEET NO.	
cr\pwork\PWIDOT\SWARTZRW\d0138944\d7	4150-shr-typicals.dgn	DRAWN -	REVISED -		SCALE:	SHEET NO. 2 OF 2 SHEETS	STA.	TO STA.	322	(58-20)RS	MACON	151	8
	PLOT SCALE = 28.0000 ' / IN.	CHECKED -	REVISED -		CONTRACT NO. 74150								
	PLOT DATE = 3/17/2010	DATE -	REVISED -		ILLINOIS FED. AID PROJECT								