

PLACE THE ARROW 18' (5.5 m) BACK FROM STOP BAR
PLACE ANOTHER ARROW EVEN WITH THE BEGINNING
OF THE SOLID WHITE LINE. SPACE ADDITIONAL ARROWS
EVENLY UP TO 80' (24.4 m) MAXIMUM SPACING.

80' (24.4 m) MAXIMUM SPACING; ALSO
NO LESS THAN 2 ARROWS WILL BE USED

40' (12.2 m) O.C. (TYP.)
3 MARKERS MIN. FOR
TURN LANE BAY (TYP.)

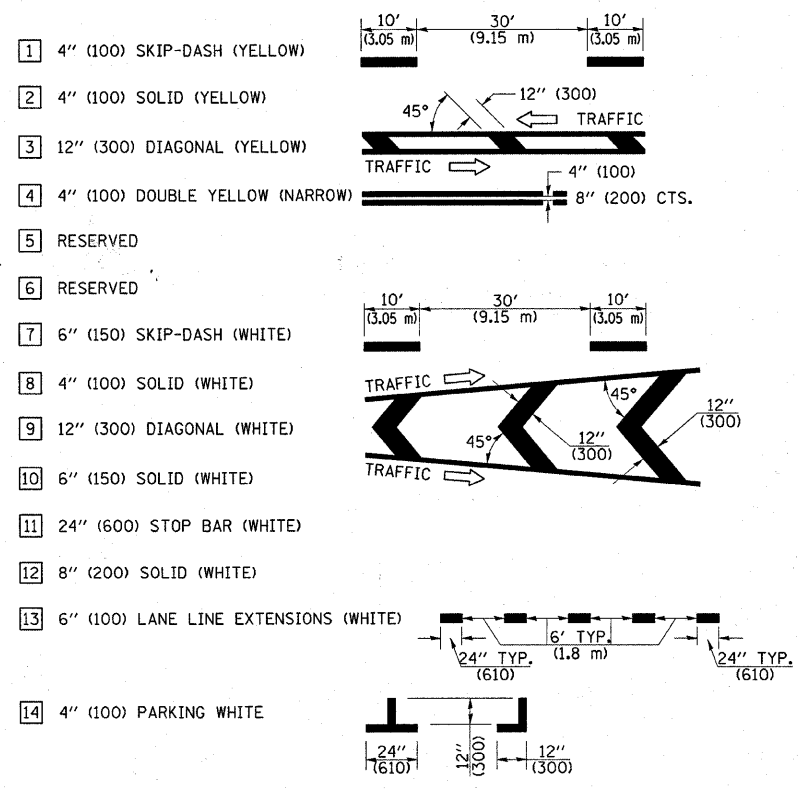
LENGTH AS SHOWN IN THE PLANS

CROSSWALK WIDTH 6' (1.8m)
OR AS SHOWN IN THE PLANS

* REDUCE TO 40 FEET (12.2 METERS) SPACING ON CURVES
WHERE ADVISORY SPEEDS ARE 10 MPH (15 km/h) LOWER
THAN POSTED SPEEDS.

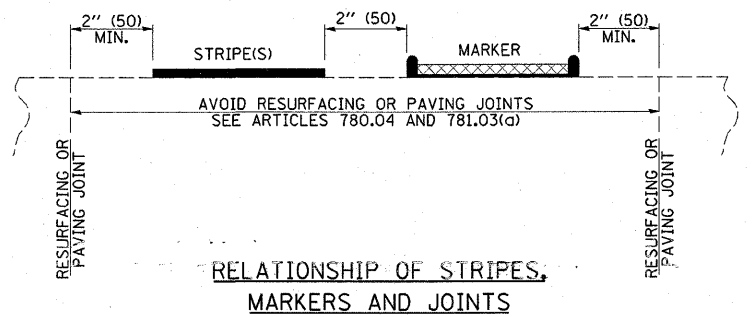
** DOUBLE LANE LINE MARKERS SHALL BE SPECIFIED
AND SPACED AS SHOWN IN HIGHWAY STANDARD
781001 FOR MULTI-LANE DIVIDED AND UNDIVIDED
HIGHWAYS.

PAVEMENT MARKING LEGEND

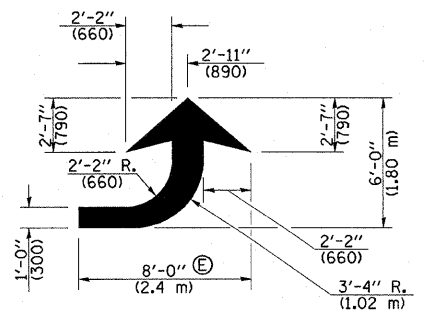


GENERAL NOTES

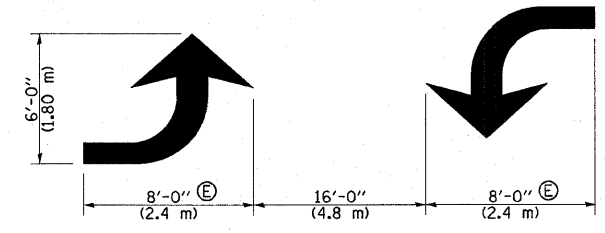
- ⓑ TURN ARROW PAIRS SHALL BE PLACED AT 250' (75 m) INTERVALS AND SHALL BE EVENLY SPACED BETWEEN BOTH ENDS OF THE BIDIRECTIONAL LEFT TURN LANE. USE A MINIMUM OF TWO PAIRS PER BLOCK.
- ⓒ THE SOLID YELLOW PAVEMENT MARKINGS ② SHOULD GENERALLY START OR END NEAR THE RADIUS POINT OF EACH STREET RETURN EXCEPT WHERE ONE OR BOTH ENDS WOULD INCLUDE STOP BARS.
- ⓓ THE SKIP-DASH PAVEMENT MARKINGS ① OR ⑦ SHOULD BE CENTERED BETWEEN BOTH ENDS OF EACH CITY BLOCK AND SHALL BE PLACED SO THEY LINE UP ACROSS FROM EACH OTHER.
- ⓔ USE LARGE ARROW SIZE FOR BOTH RURAL AND URBAN LOCATIONS. (SEE LAST PAGE OF SECTION 780x FOR SYMBOLS TABLE)



RELATIONSHIP OF STRIPES, MARKERS AND JOINTS



LEFT ARROW
REVERSE FOR RIGHT ARROW
AREA = 15.6 SQ. FT. (1.47 m²)
(WHITE)



TYPICAL DOUBLE TURN ARROWS (WHITE)

NOT TO SCALE

Note: All dimensions are in INCHES (millimeters) unless otherwise shown.

FILE NAME =	USER NAME = swartzw	DESIGNED -	REVISED -	STATE OF ILLINOIS DEPARTMENT OF TRANSPORTATION	PAVEMENT MARKING AND RAISED REFLECTIVE PAVEMENT MARKERS (RURAL & URBAN APPLICATIONS)		F.A.P. RTE. 322	SECTION (58-20)RS	COUNTY MACON	TOTAL SHEETS 151	SHEET NO. 59			
c:\pwwork\pwwork\swartzw\d0138928\0774150-details.dgn		DRAWN -	REVISED -				SCALE: NA	SHEET NO. 2 OF 4 SHEETS	STA. TO STA.	CONTRACT NO. 74150				
PLOT SCALE = 28.80000 / IN.		CHECKED -	REVISED -				ILLINOIS FED. AID PROJECT							
PLOT DATE = 3/17/2018		DATE -	REVISED -											

DISTRICT 7 DETAIL NO. 7800001