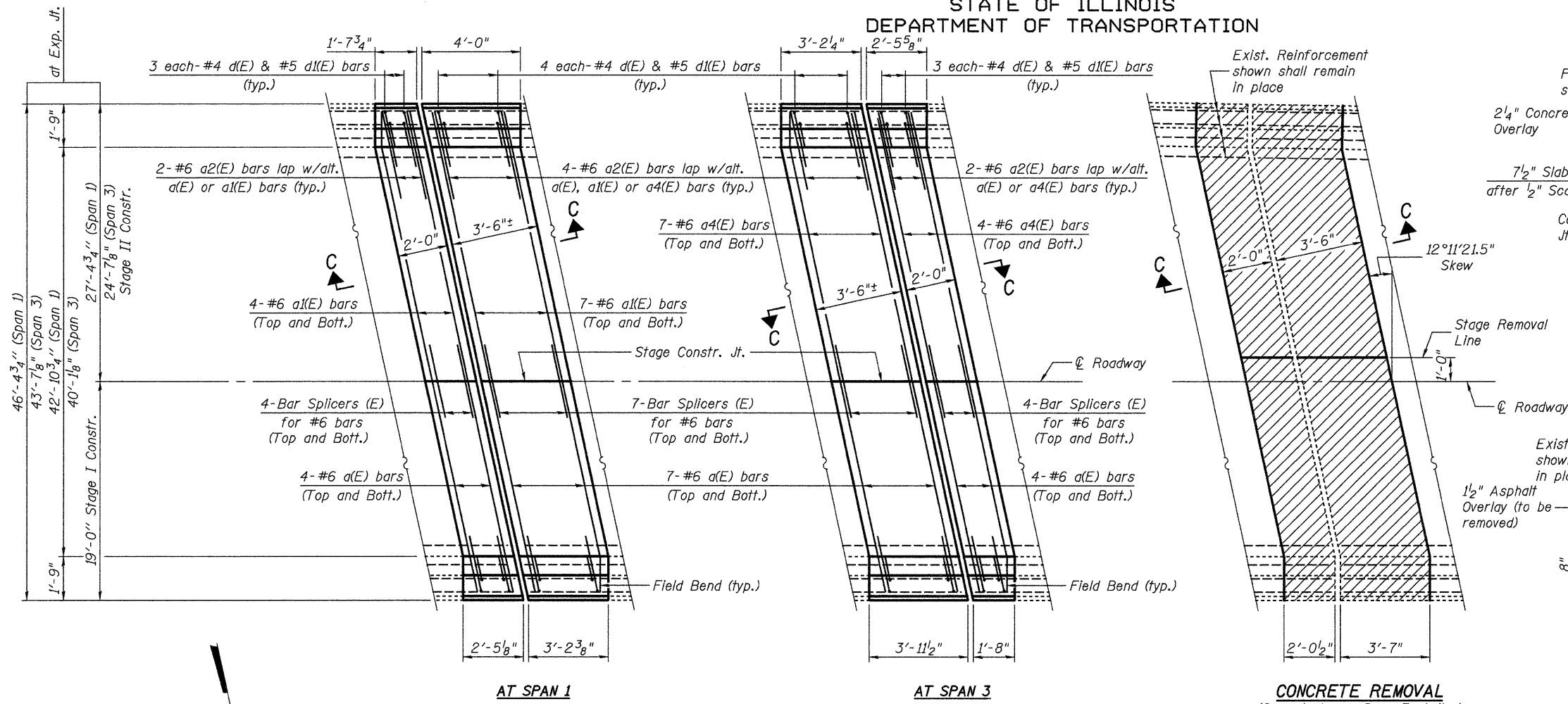
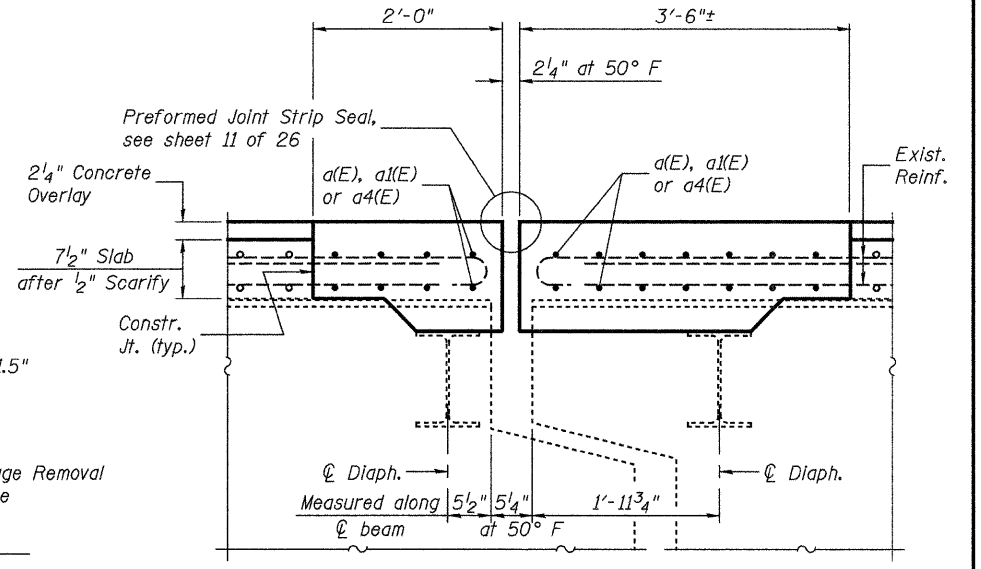


STATE OF ILLINOIS  
DEPARTMENT OF TRANSPORTATION

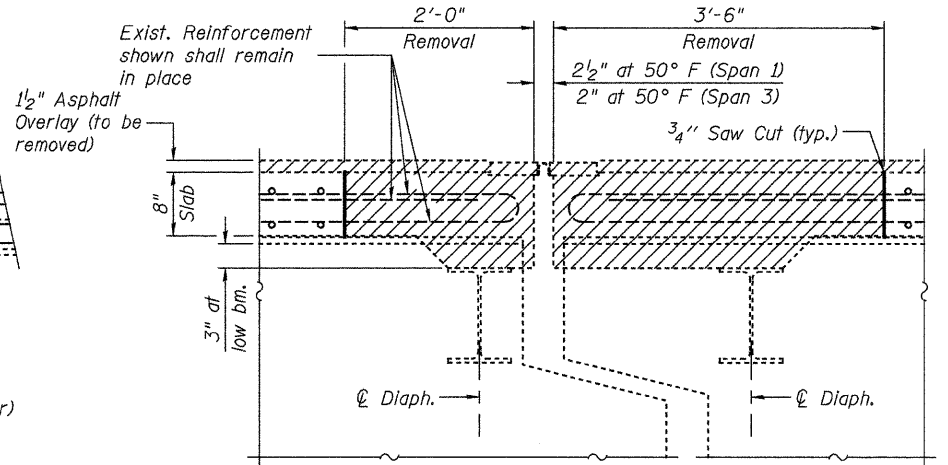


PLAN AT SPAN HINGES

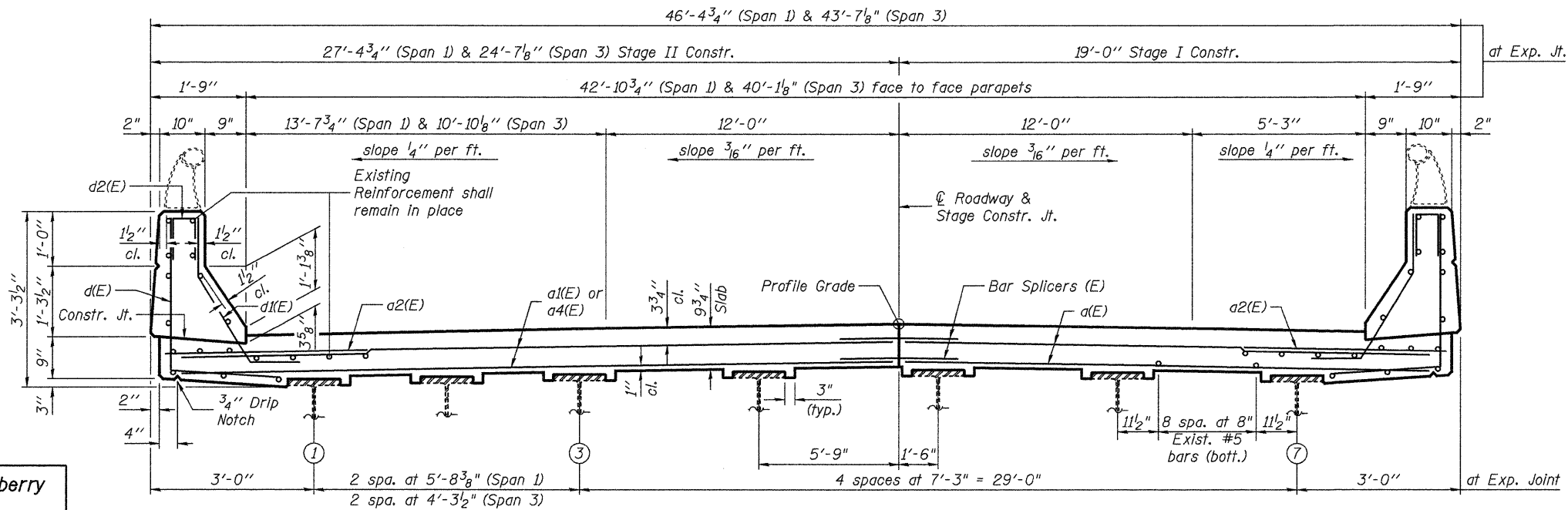
Indicates Limits of Concrete Removal.



PROPOSED SECTION C-C



EXISTING SECTION C-C



CROSS SECTION  
(Looking West)

Notes:  
For Parapet Details and Bill of Material  
see sheet 10 of 26.

**Johnson, Depp & Quisenberry**  
CONSULTING ENGINEERS  
Springfield, Illinois

DESIGNED: JDQ DRAWN: PTR  
CHECKED: DCD CHECKED: DCD

SUPERSTRUCTURE (SB)  
STRUCTURE NO. 058-0101(NB) & 0102(SB)

SHEET 6 OF 26	F.A.P. RTE.	SECTION	COUNTY	TOTAL SHEETS	SHEET NO.
	322	(58-20)RS	MACON	151	71
	STA. 133+62.02		CONTRACT NO. 74150		
FED. ROAD DIST. NO. ILLINOIS FED. AID PROJECT					

FILE: J:\JDD\101077 IL-DTVM#8 US51Brdge Repairs\1-US51bus-CRR\058010-74150-006-superstr-3-SB.dgn

USER: DCD

DATE: 04/09/2010 12:21HT