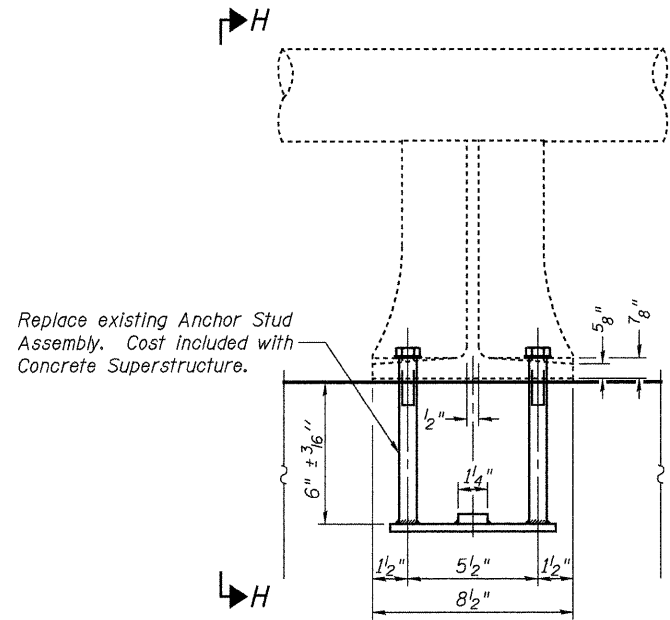
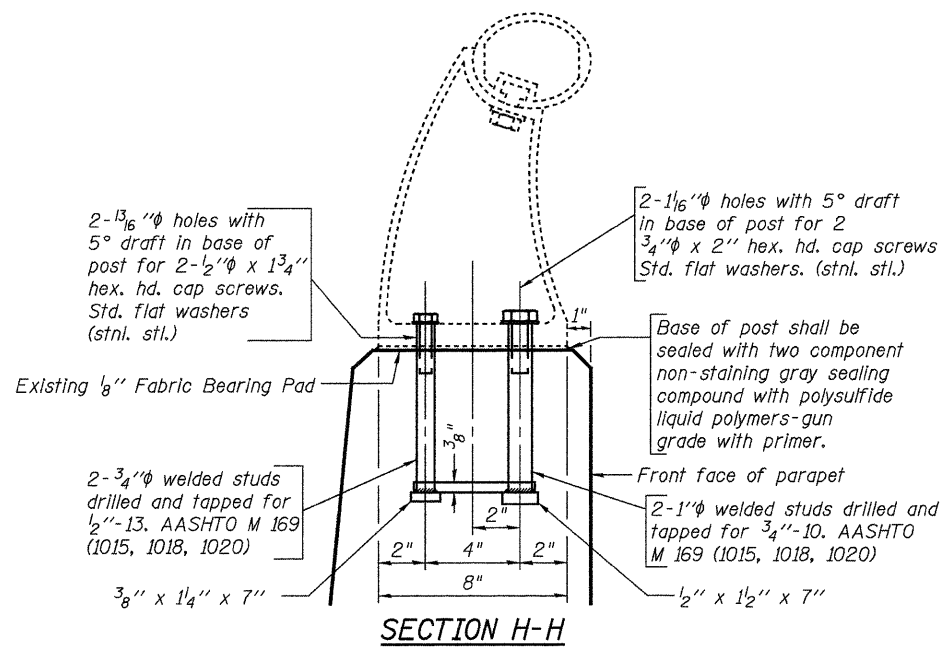


STATE OF ILLINOIS
DEPARTMENT OF TRANSPORTATION

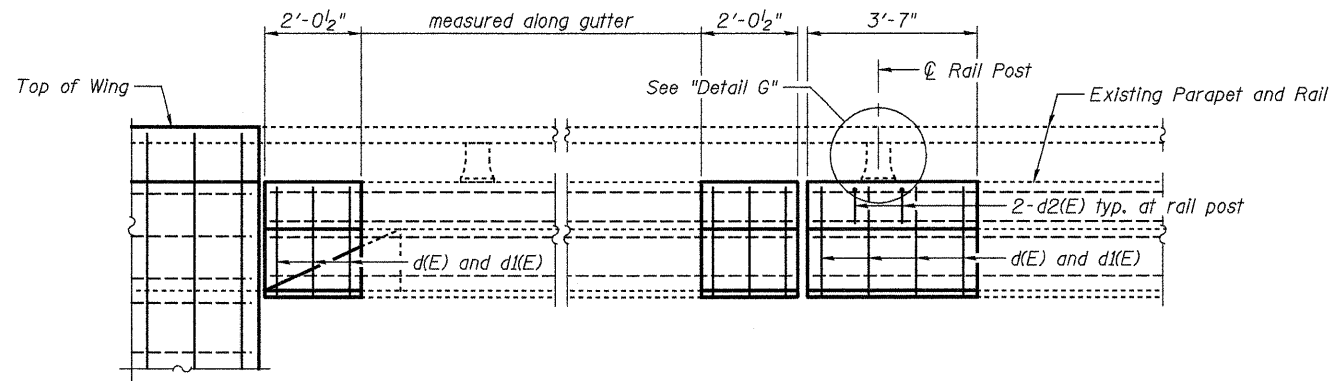


Replace existing Anchor Stud Assembly. Cost included with Concrete Superstructure.

DETAIL G



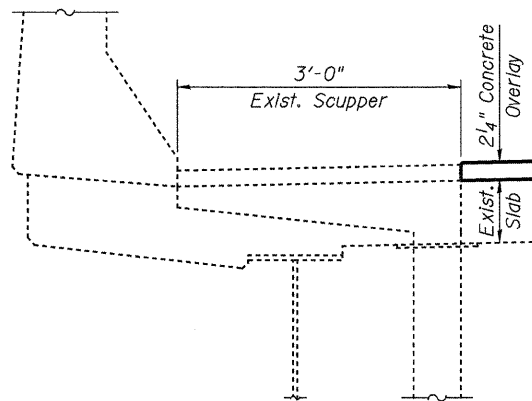
SECTION H-H



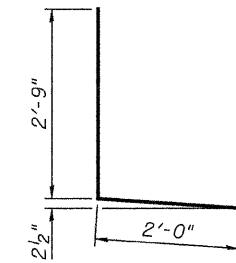
AT EAST ABUTMENT

AT SPAN 1

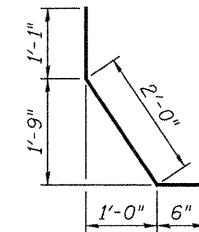
PARTIAL INSIDE ELEVATION OF PARAPET
(Span 3 & West Abutment similar)



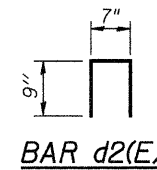
SECTION AT DRAINAGE SCUPPER



BAR d(E)



BAR d1(E)



BAR d2(E)

SUPERSTRUCTURE (SB)
BILL OF MATERIAL

Bar	No.	Size	Length	Shape
a(E)	60	#6	18'-6"	—
a1(E)	22	#6	27'-3"	—
a2(E)	32	#6	5'-0"	—
a4(E)	22	#6	24'-4"	—
a8(E)	8	#6	28'-0"	—
a9(E)	8	#6	22'-9"	—
d(E)	40	#4	4'-9"	L
d1(E)	40	#5	3'-7"	L
d2(E)	8	#4	2'-1"	Π
Reinforcement Bars, Epoxy Coated			Pound	4510
Concrete Superstructure			Cu. Yd.	31.8
Concrete Removal			Cu. Yd.	29.1

SUPERSTRUCTURE (NB)
BILL OF MATERIAL

Bar	No.	Size	Length	Shape
a(E)	60	#6	18'-6"	—
a2(E)	32	#6	5'-0"	—
a5(E)	22	#6	36'-5"	—
a7(E)	22	#6	33'-3"	—
a10(E)	8	#6	37'-3"	—
a11(E)	8	#6	31'-4"	—
d(E)	40	#4	4'-9"	L
d1(E)	40	#5	3'-7"	L
d2(E)	8	#4	2'-1"	Π
Reinforcement Bars, Epoxy Coated			Pound	5330
Concrete Superstructure			Cu. Yd.	39.4
Concrete Removal			Cu. Yd.	36.2

SUPERSTRUCTURE DETAILS
STRUCTURE NO. 058-0101(NB) & 0102(SB)

JD Johnson, Depp & Quisenberry
CONSULTING ENGINEERS
Springfield, Illinois

DESIGNED: JDQ	DRAWN: PTR
CHECKED: DCD	CHECKED: DCD

SHEET 10 OF 26	F.A.P. RTE. 322	SECTION (58-20)RS	COUNTY MACON	TOTAL SHEETS 151	SHEET NO. 75
	STA. 133+62.02		CONTRACT NO. 74150		
FED. ROAD DIST. NO.		ILLINOIS FED. AID PROJECT			

FILE: J:\JDD\10177 IL-DTVM#8 USS1Brdge Repair\N-US51bus-ICRR\058010-74150-010-superstr-4.dgn

USER: DCD

DATE: 04/09/2010 12:24:28