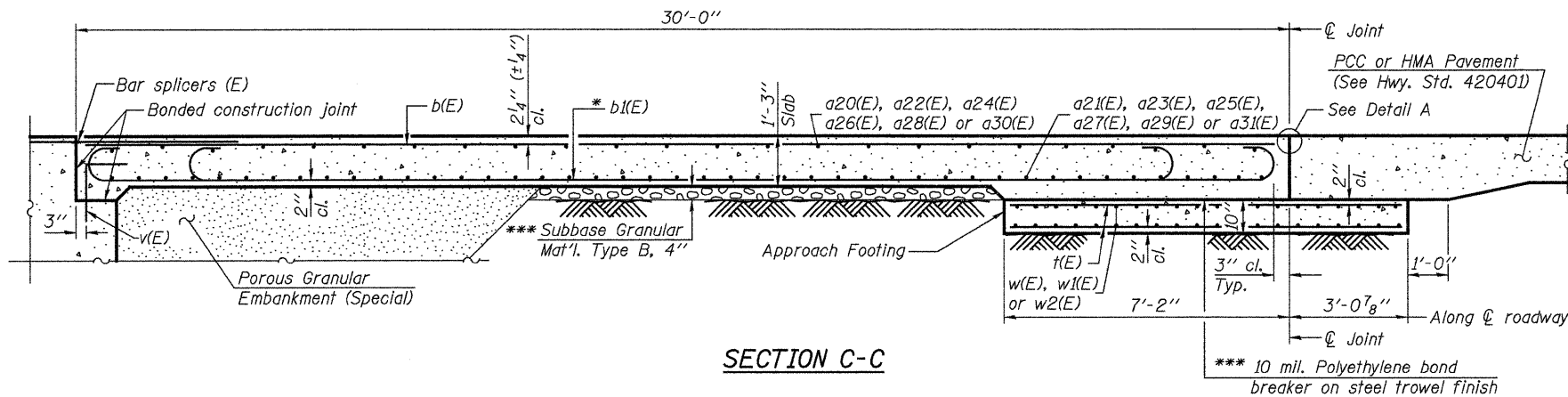


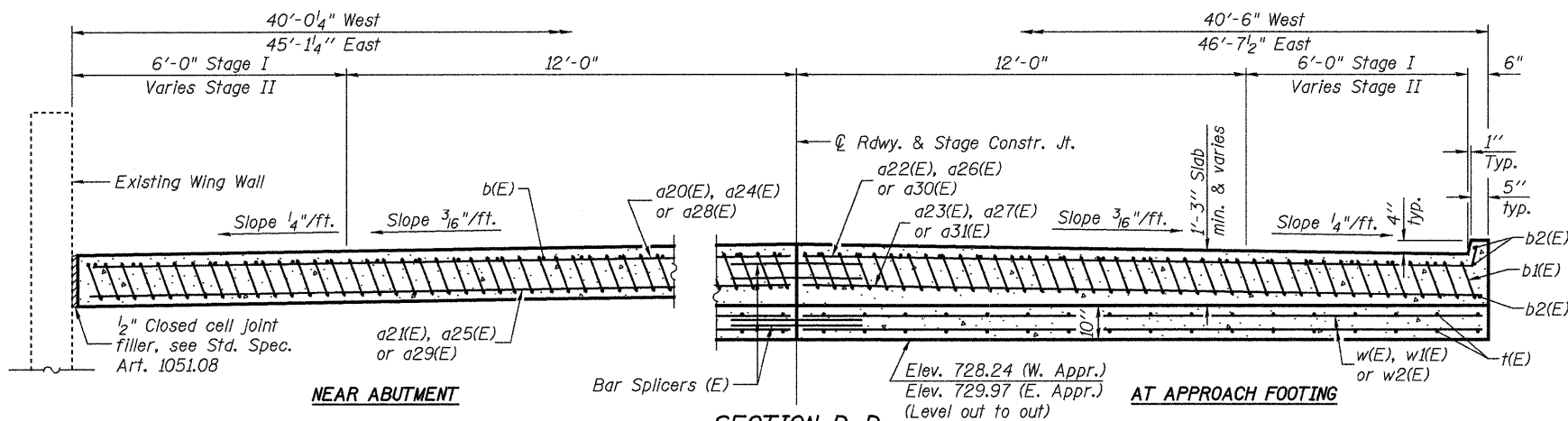
STATE OF ILLINOIS  
DEPARTMENT OF TRANSPORTATION

Notes:

See sheet 12 of 26 for Detail A and View F-F.  
Approach slab and parapet concrete shall be paid for as Concrete Superstructure.  
Approach footing concrete shall be paid for as Concrete Structures.  
Reinforcement shall be paid for as Reinforcement Bars, Epoxy Coated.  
For v(E) bar details, see sheet 18 & 19 of 26.  
The approach footing maximum applied service bearing pressure (Qmax) = 2.0 ksf.  
For bar splicer details, see sheet 25 of 26.  
Cost of excavation for approach footing included with Concrete Structures.  
For Porous Granular Embankment (Special) and drainage treatment details, see sheet 2 of 26.

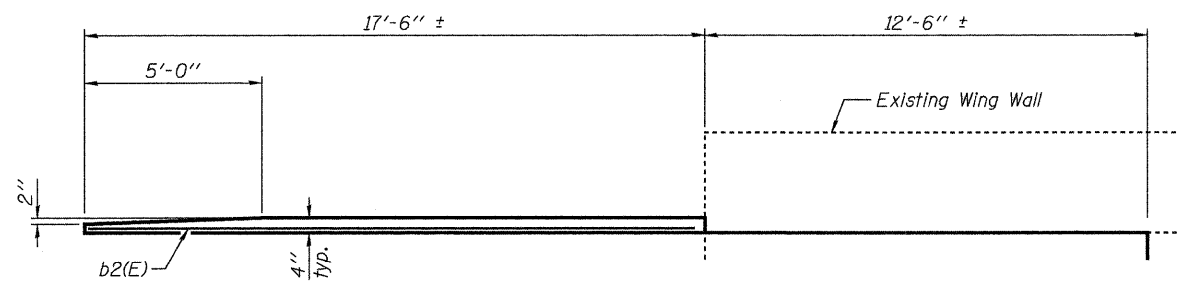


SECTION C-C



SECTION D-D

(See Plan for dimensions not shown)



VIEW E-E

\* Tilt #9 b1(E) bars as required to maintain clearance.

\*\*\* Cost included with Concrete Superstructure.

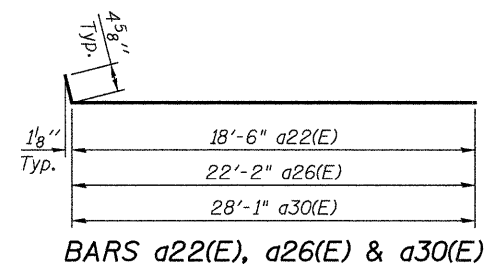
TWO APPROACHES  
BILL OF MATERIAL

Bar	No.	Size	Length	Shape
a20(E)	20	#4	18'-2"	—
a21(E)	38	#5	18'-2"	—
a22(E)	28	#4	18'-11"	—
a23(E)	52	#5	18'-8"	—
a24(E)	10	#4	22'-1"	—
a25(E)	19	#5	22'-1"	—
a26(E)	14	#4	22'-6"	—
a27(E)	26	#5	22'-3"	—
a28(E)	10	#4	27'-5"	—
a29(E)	19	#5	27'-5"	—
a30(E)	14	#4	28'-5"	—
a31(E)	26	#5	28'-2"	—
b(E)	68	#4	29'-8"	—
b1(E)	204	#9	29'-9"	—
b2(E)	12	#4	17'-2"	—
t(E)	176	#4	9'-10"	—
w(E)	80	#5	18'-8"	—
w1(E)	40	#5	22'-3"	—
w2(E)	40	#5	28'-5"	—
Concrete Superstructure		Cu. Yd.	125.8	
Concrete Structures		Cu. Yd.	27.5	
Reinforcement Bars, Epoxy Coated		Pound	32440	

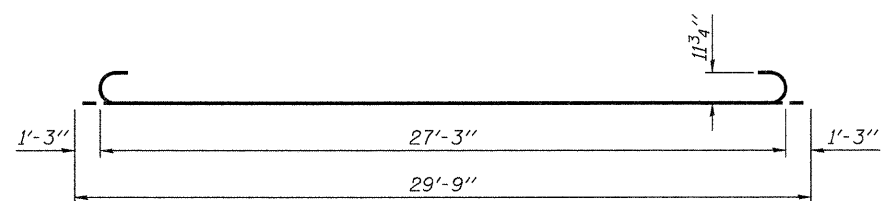
**JD Johnson, Depp & Quisenberry**  
CONSULTING ENGINEERS  
Springfield, Illinois

DESIGNED: JDQ DRAWN: P. Ray  
CHECKED: DCD CHECKED: DCD

BA-R 11-1-09 (Modified)



BARS a22(E), a26(E) & a30(E)



BAR b1(E)

(Sheet 2 of 2)  
BRIDGE APPROACH SLAB DETAILS (SB)  
STRUCTURE NO. 058-0101(NB) & 0102(SB)

SHEET 13 OF 26	F.A.P. RTE.	SECTION	COUNTY	TOTAL SHEETS	SHEET NO.
	322	(58-20)RS	MACON	151	78
STA. 133+62.02		CONTRACT NO. 74150			
FED. ROAD DIST. NO.		ILLINOIS FED. AID PROJECT			

FILE: J:\JDD\10177 IL-DTVM#8 US51Bridge Repairs\US51bus-CPRR\0580101-74150-03-appro-slab2-SB.dgn

USER: DCD

DATE: 04/09/2010 12:21:38