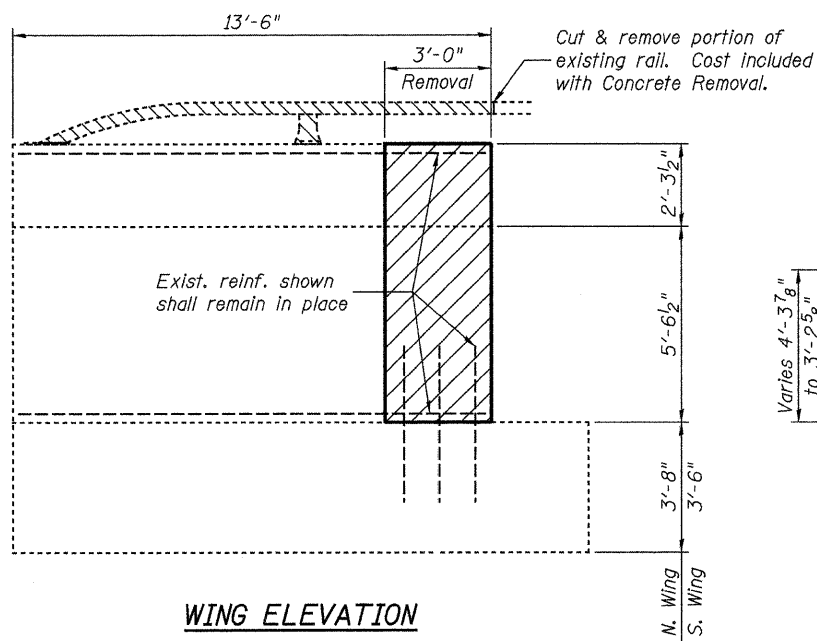
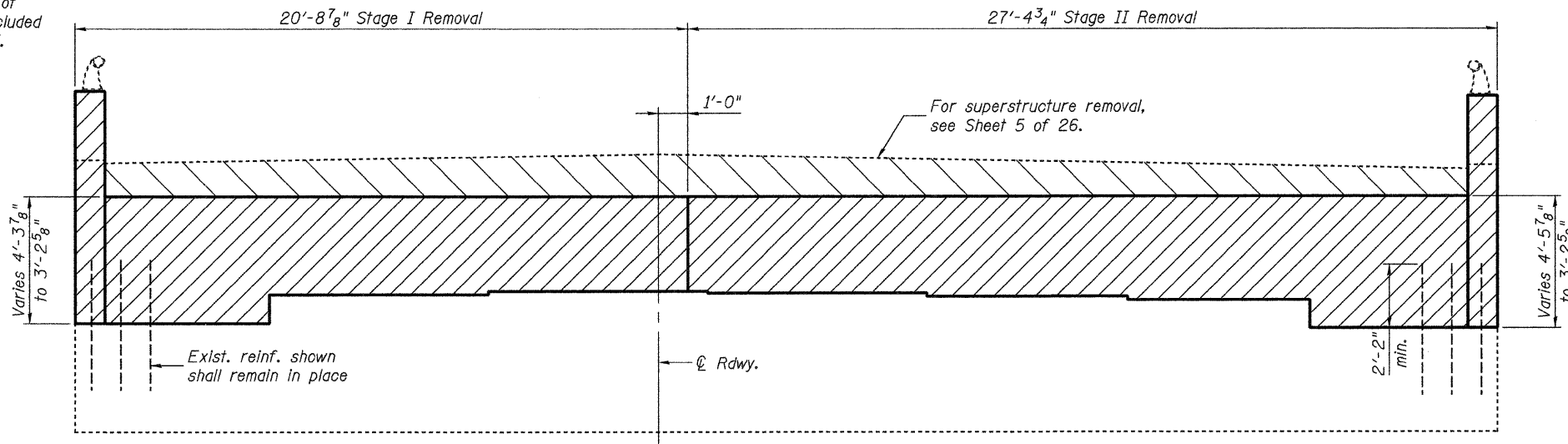


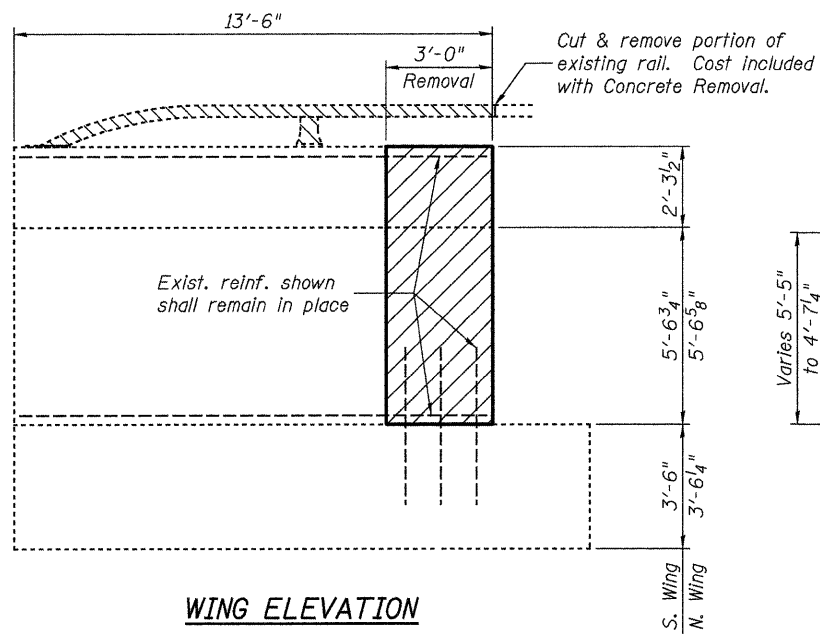
STATE OF ILLINOIS
DEPARTMENT OF TRANSPORTATION



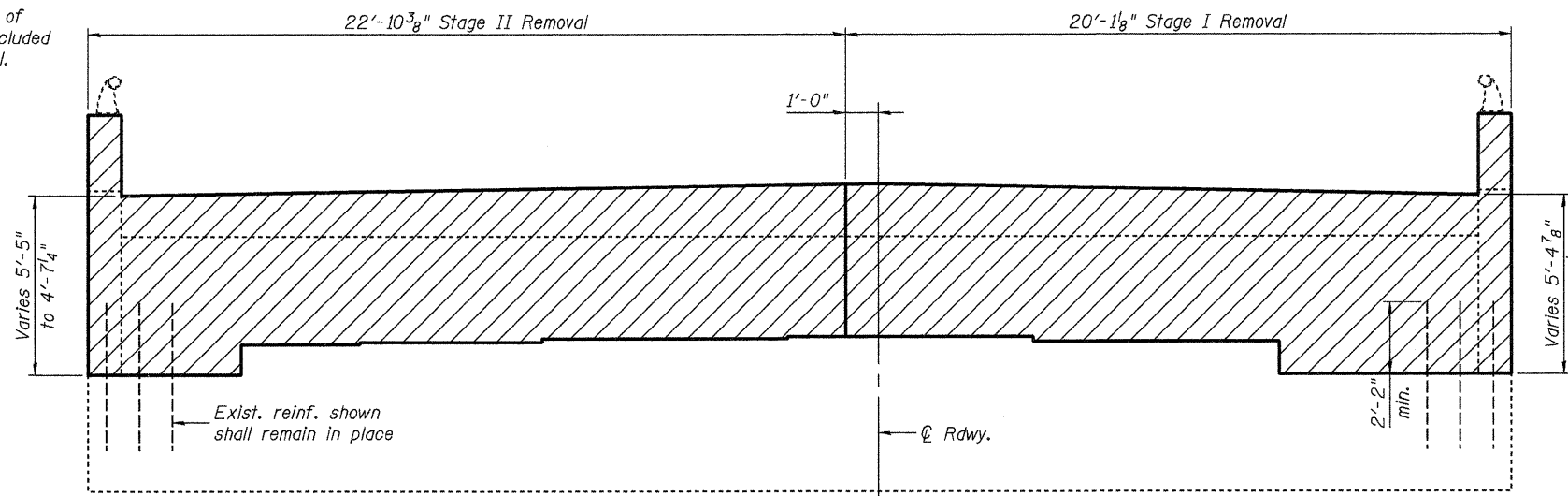
WING ELEVATION



ELEVATION EAST ABUTMENT



WING ELEVATION



ELEVATION WEST ABUTMENT

Indicates Limits of Concrete Removal.

Note:
Quantities for Concrete Removal are included on sheets 18 and 19 of 26.

Johnson, Depp & Quisenberry CONSULTING ENGINEERS Springfield, Illinois	
DESIGNED: JDQ	DRAWN: P. Ray
CHECKED: DCD	CHECKED: DCD

ABUTMENT - REMOVAL (SB)
STRUCTURE NO. 058-0101(NB) & 0102(SB)

SHEET 17 OF 26	F.A.P. RTE.	SECTION	COUNTY	TOTAL SHEETS	SHEET NO.
	322	(58-20)RS	MACON	151	82
		STA. 133+62.02	CONTRACT NO. 74150		
		FED. ROAD DIST. NO.	ILLINOIS FED. AID PROJECT		

FILE: J:\JDO\10177 IL-DTVM*eg US51Bridge Repairs\US51bus-ICRR\0580101-74150-017-abuts-SB.dgn
USER: DCD
DATE: 04/09/2000 12:21:52