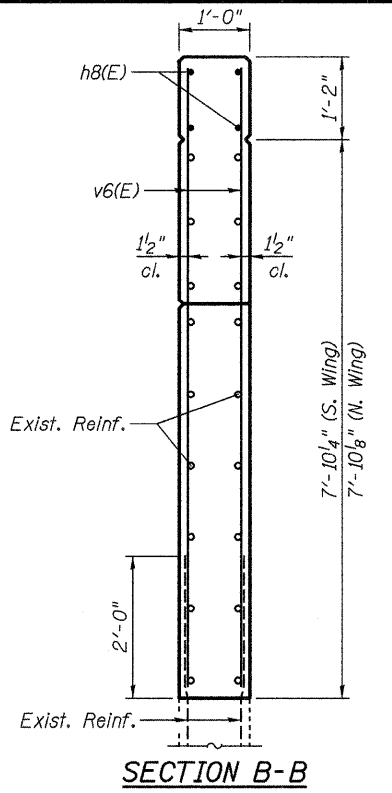
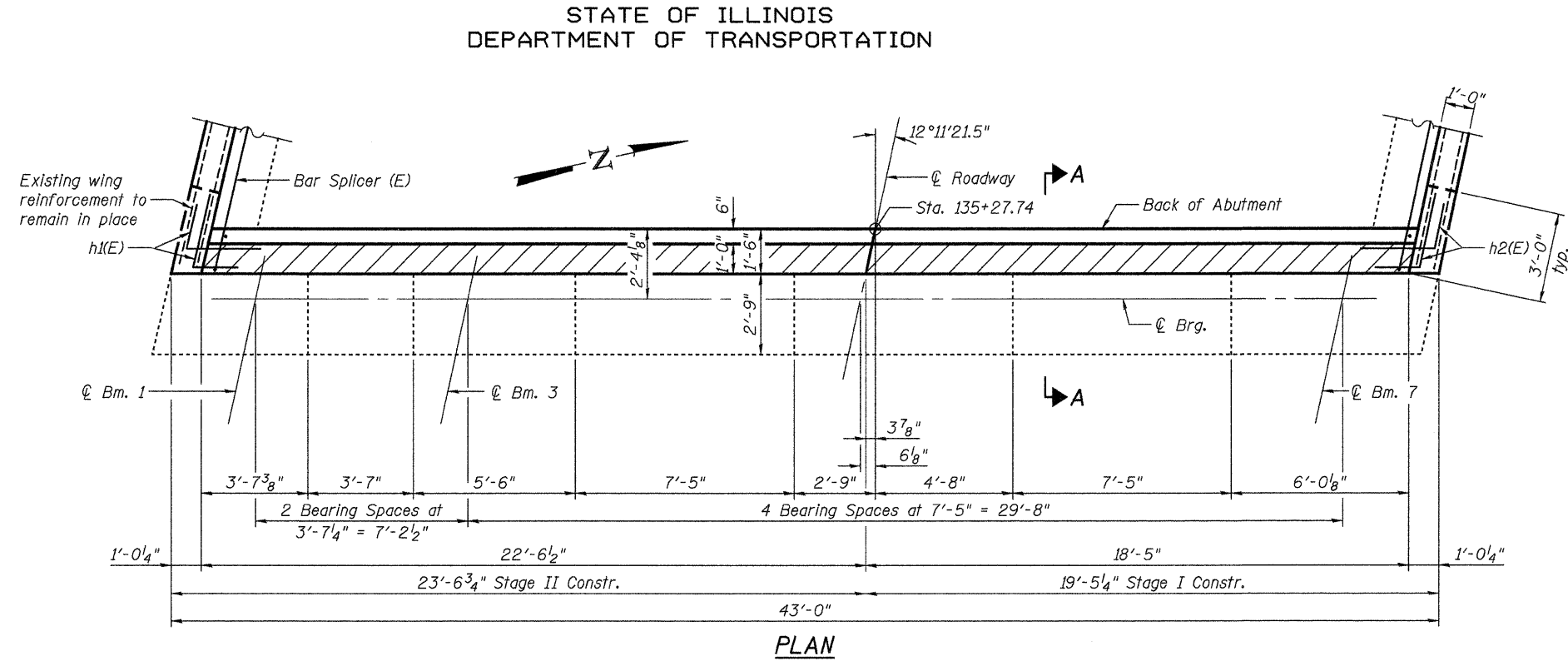
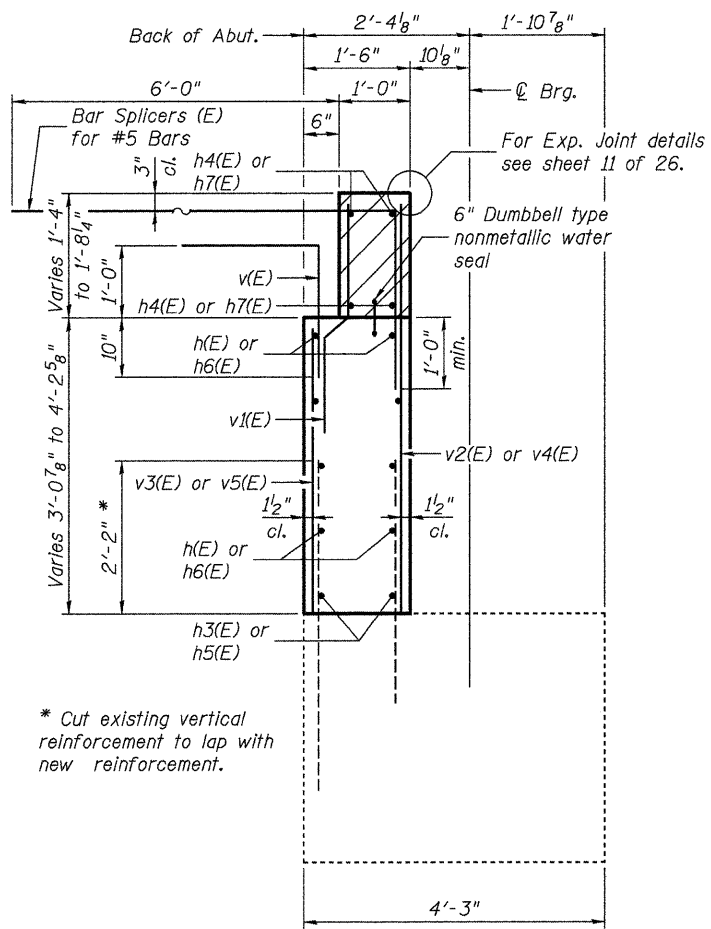


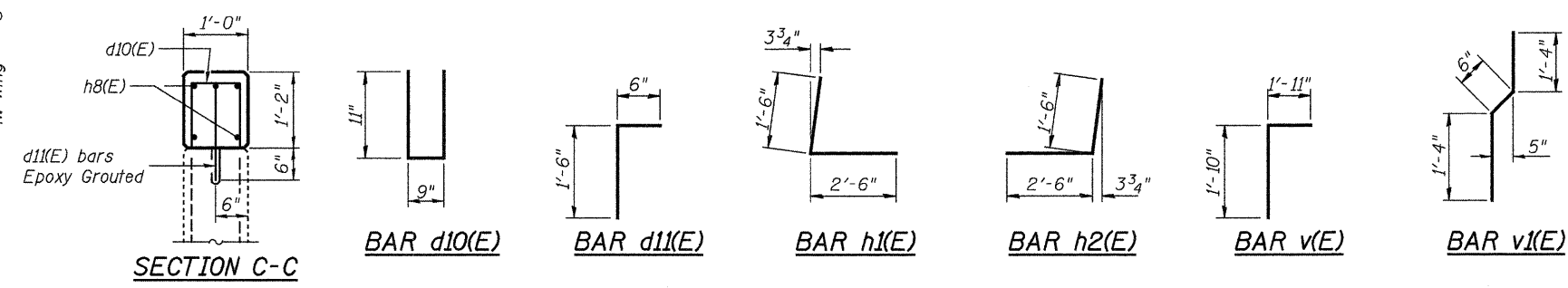
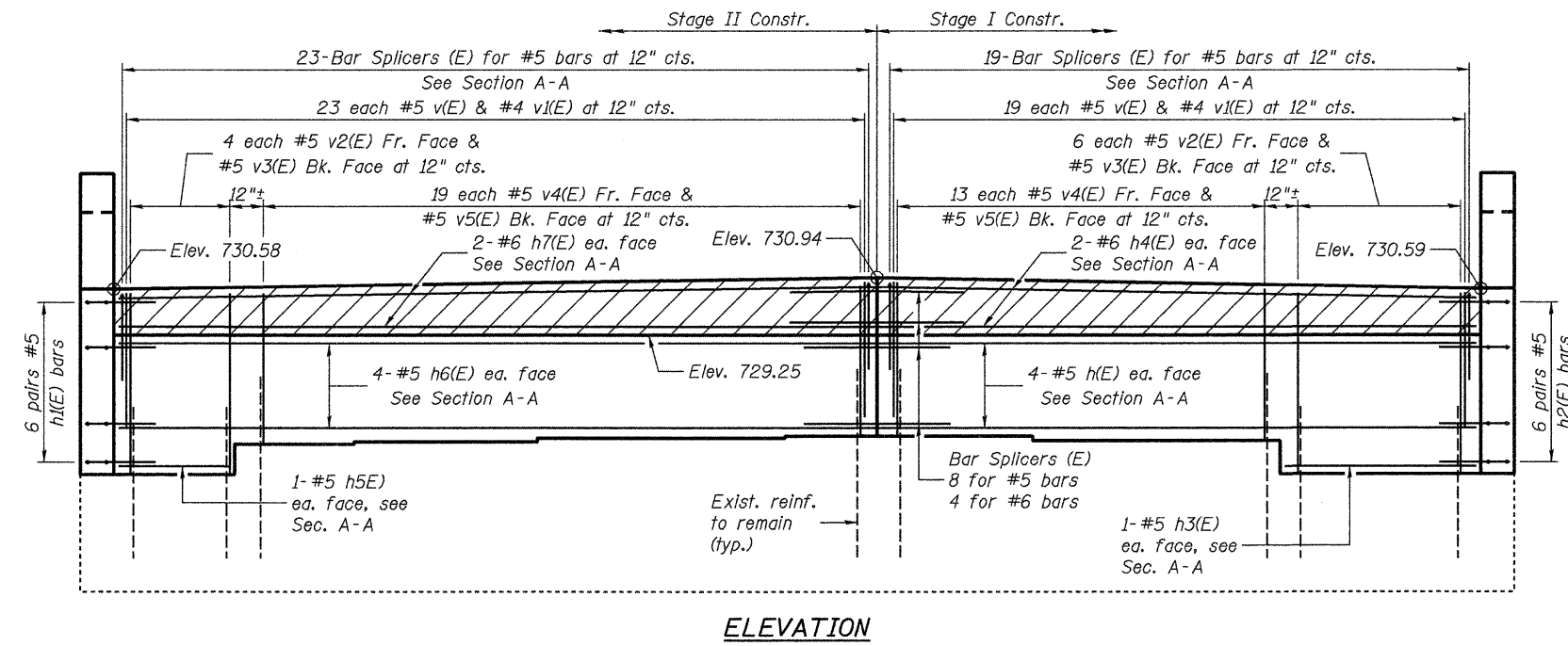
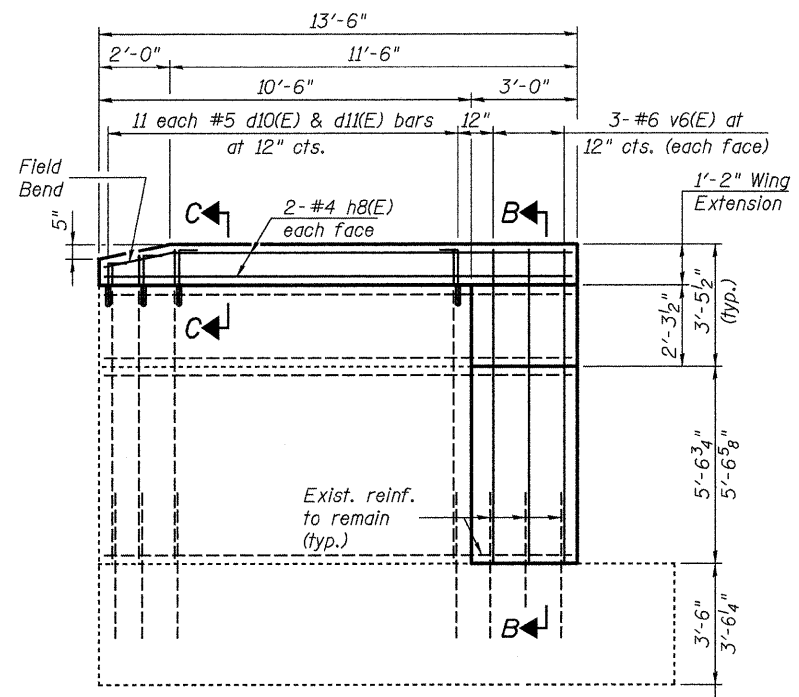
STATE OF ILLINOIS
DEPARTMENT OF TRANSPORTATION



ABUTMENT
BILL OF MATERIAL

Bar	No.	Size	Length	Shape
d10(E)	22	#5	2'-7"	⊔
d11(E)	22	#5	2'-0"	└
h(E)	8	#5	19'-0"	—
h1(E)	12	#5	4'-0"	└
h2(E)	12	#5	4'-0"	└
h3(E)	2	#5	6'-8"	—
h4(E)	4	#6	18'-0"	—
h5(E)	2	#5	4'-0"	—
h6(E)	8	#5	23'-2"	—
h7(E)	4	#6	22'-2"	—
h8(E)	8	#4	13'-0"	—
v(E)	42	#5	3'-9"	└
v1(E)	42	#4	3'-2"	└
v2(E)	10	#5	5'-4"	—
v3(E)	10	#5	4'-0"	—
v4(E)	32	#5	4'-5"	—
v5(E)	32	#5	2'-10"	—
v6(E)	12	#6	8'-10"	—
Structure Excavation			Cu. Yd.	78
Concrete Removal			Cu. Yd.	12.1
Concrete Structures			Cu. Yd.	11.2
Concr. Superstructure			Cu. Yd.	2.3
Reinforcement Bars, Epoxy Coated			Pound	1650

For details of Bar Splicers, see sheet 25 of 26.



Johnson, Depp & Quisenberry
CONSULTING ENGINEERS
Springfield, Illinois

DESIGNED: JDQ	DRAWN: P. Ray
CHECKED: DCD	CHECKED: DCD

WEST ABUTMENT (SB)
STRUCTURE NO. 058-0101(NB) & 0102(SB)

SHEET NO.	F.A.P. RTE.	SECTION	COUNTY	TOTAL SHEETS	SHEET NO.
19	322	(58-20)RS	MACON	151	84
OF 26		STA. 133+62.02	CONTRACT NO.	74150	
FED. ROAD DIST. NO.			ILLINOIS FED. AID PROJECT		

FILE: J:\JDO\101077 IL-DTVV#8 US51 Bridge Repair\N-US51bus-ICPR\0580101-74150-019-abut2-SB.dgn
 USER: DCD
 DATE: 04/09/2010 12:21:58