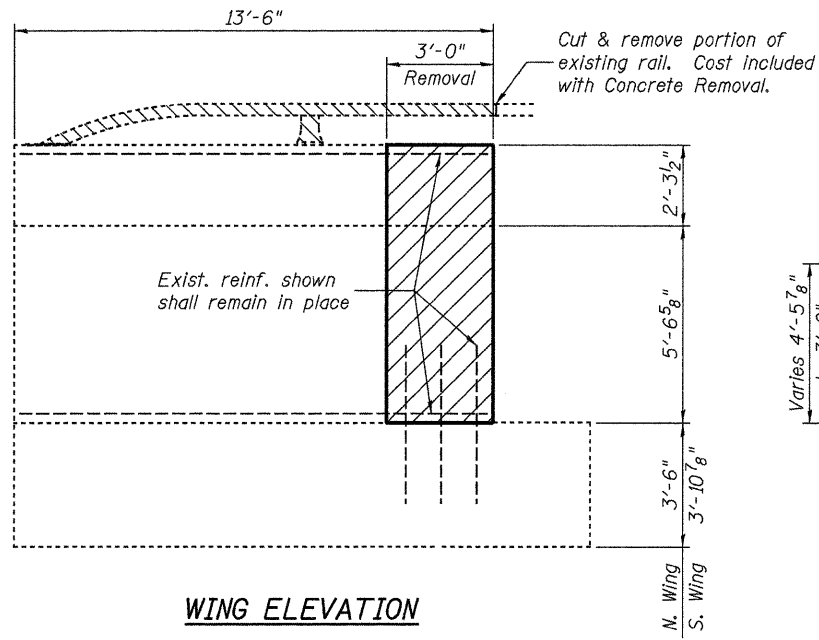
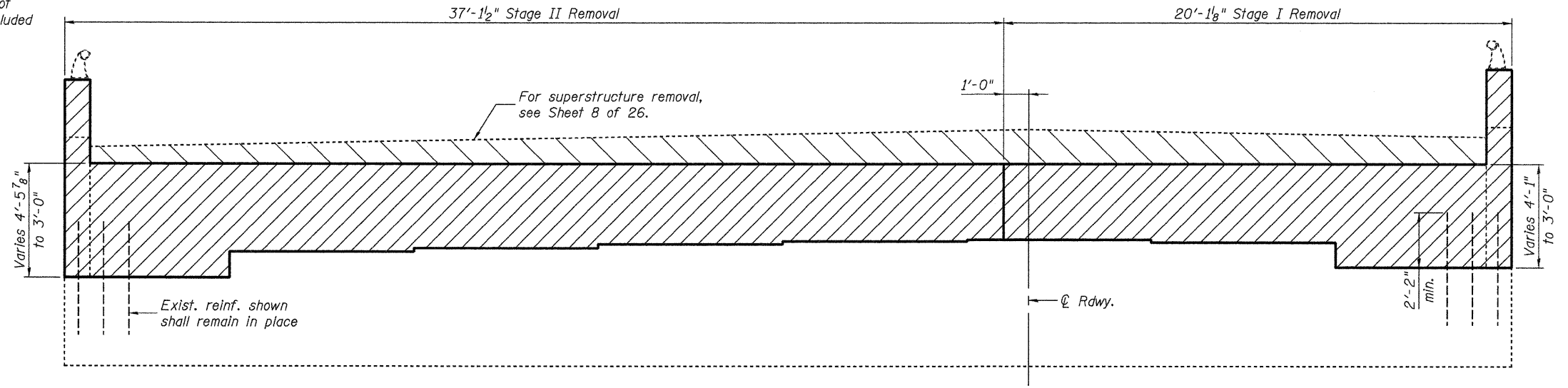


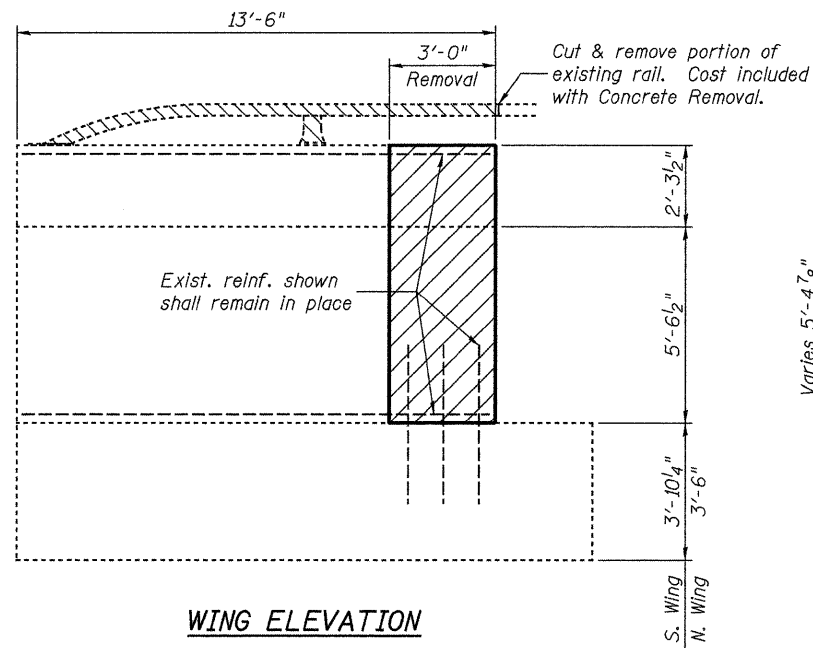
STATE OF ILLINOIS
DEPARTMENT OF TRANSPORTATION



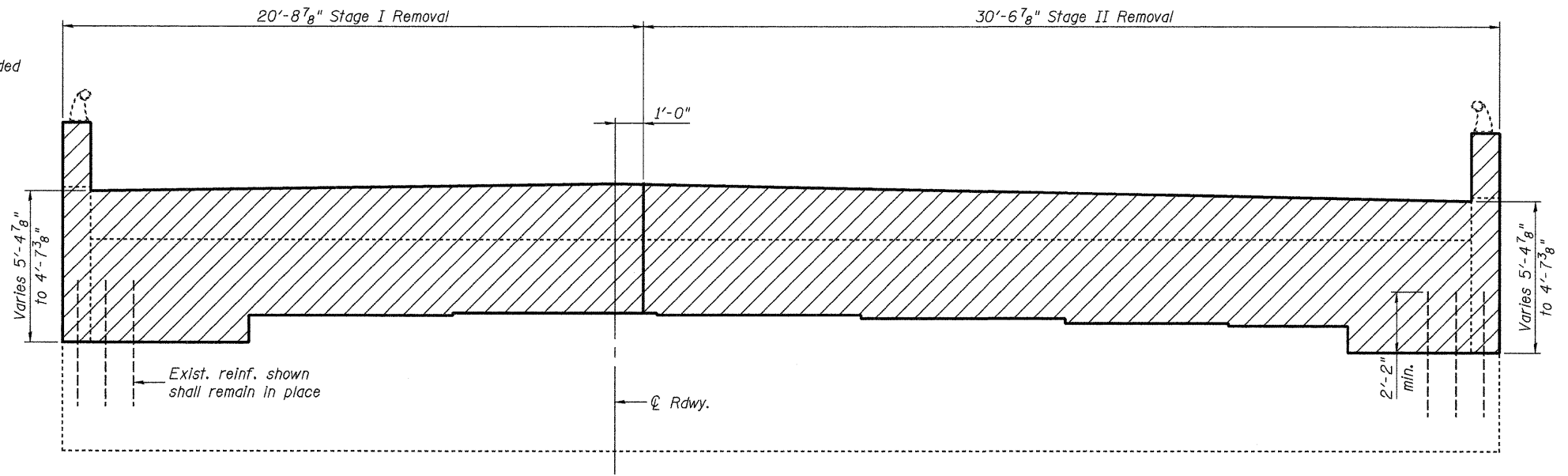
WING ELEVATION



ELEVATION EAST ABUTMENT



WING ELEVATION



ELEVATION WEST ABUTMENT

Indicates Limits of Concrete Removal.

Note:
Quantities for Concrete Removal are included on sheets 21 and 22 of 26.

Johnson, Depp & Quisenberry
CONSULTING ENGINEERS
Springfield, Illinois

DESIGNED: JDQ	DRAWN: SJS
CHECKED: DCD	CHECKED: DCD

ABUTMENT - REMOVAL (NB)
STRUCTURE NO. 058-0101(NB) & 0102(SB)

SHEET 20 OF 26	F.A.P. RTE.	SECTION	COUNTY	TOTAL SHEETS	SHEET NO.
	322	(58-20)RS	MACON	151	85
		STA. 133+62.02	CONTRACT NO. 74150		
		FED. ROAD DIST. NO.	ILLINOIS FED. AID PROJECT		