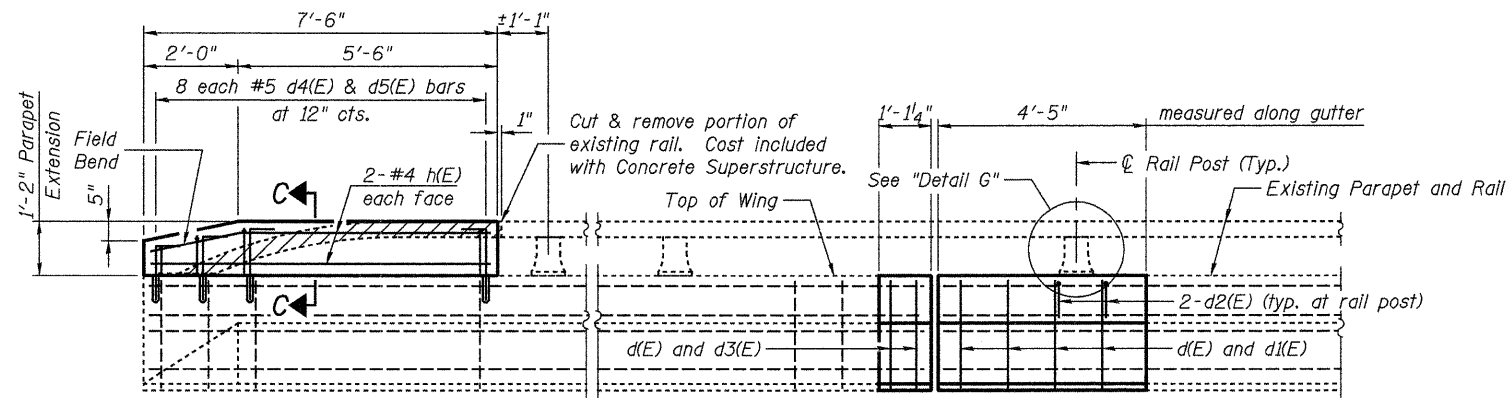
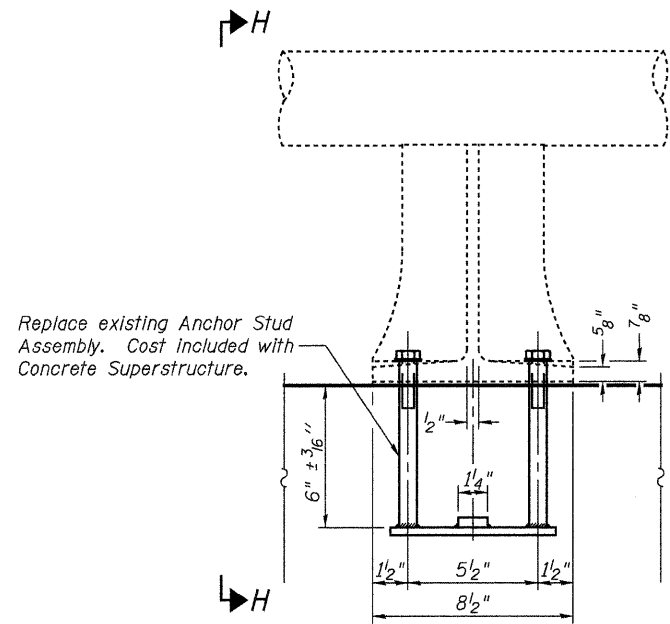
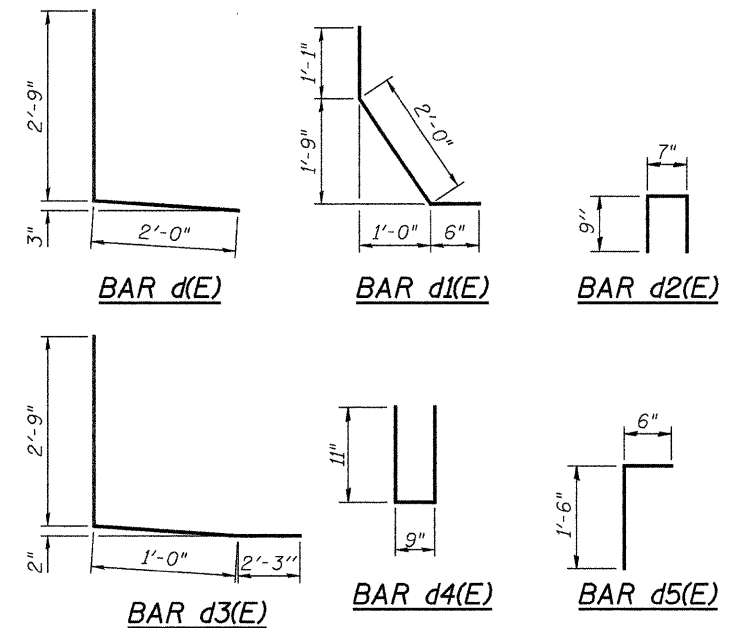


STATE OF ILLINOIS  
DEPARTMENT OF TRANSPORTATION

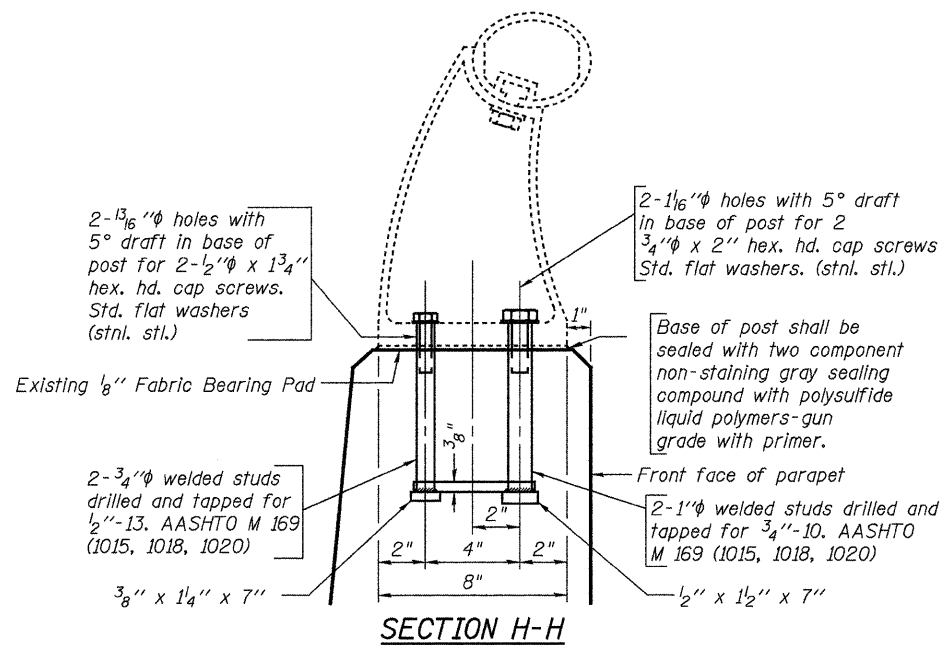


Note:  
Wingwall/Railing modification  
applies to the following locations:  
(SB) E. Abut. - South Wing  
(SB) W. Abut. - both wings  
(NB) E. Abut. - both wings

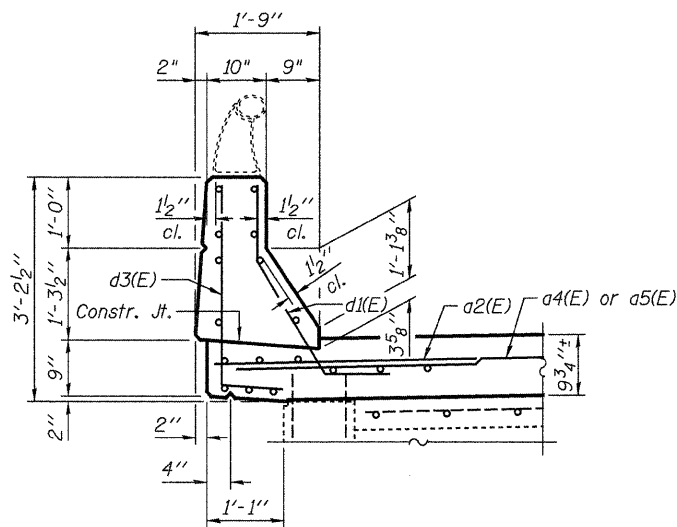
**PARTIAL INSIDE ELEVATION OF PARAPET**  
(East Abutment shown, West Abutment similar)



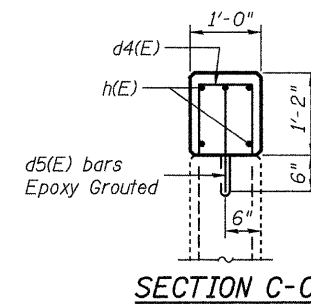
**DETAIL G**



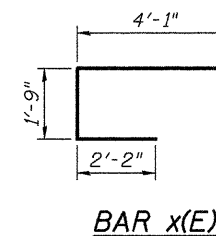
**SECTION H-H**



**SECTION B-B**



**SECTION C-C**



**BAR x(E)**

**SUPERSTRUCTURE  
BILL OF MATERIAL**

Bar	No.(SB)	No.(NB)	Size	Length	Shape	
d(E)	18	18	#7	20'-3"	—	
d1(E)	18	18	#7	24'-8"	—	
a2(E)	20	20	#6	4'-6"	—	
a3(E)	50	50	#6	6'-11"	—	
a4(E)	4	4	#5	25'-0"	—	
a5(E)	4	4	#5	20'-7"	—	
d(E)	16	16	#4	4'-9"	L	
d1(E)	24	24	#5	3'-7"	┌	
d2(E)	8	8	#4	2'-1"	П	
d3(E)	8	8	#4	6'-0"	L	
d4(E)	24	16	#5	2'-7"	U	
d5(E)	24	16	#5	2'-0"	Г	
h(E)	12	8	#4	7'-2"	—	
x(E)	130	130	#6	8'-0"	└	
					SB	NB
Reinforcement Bars, Epoxy Coated				Pound	4420	4360
Concrete Superstructure				Cu. Yd.	25.6	25.6
Concrete Removal				Cu. Yd.	23.1	23.1

**JD** Johnson, Depp & Quisenberry  
CONSULTING ENGINEERS  
Springfield, Illinois

DESIGNED: JDQ	DRAWN: PTR
CHECKED: DCD	CHECKED: DCD

**SUPERSTRUCTURE DETAILS**  
**STRUCTURE NO. 058-0104(NB) & 0105(SB)**

SHEET 6 OF 11	F.A.P. RTE.	SECTION	COUNTY	TOTAL SHEETS	SHEET NO.
	322	(58-20)RS	MACON	151	97
	STA. 142+55.53		CONTRACT NO. 74150		
FED. ROAD DIST. NO.		ILLINOIS FED. AID PROJECT			

FILE: J:\JDD\10177 IL-DTVM#8 USS1Bridg Repair\2-TaylorRoad\0580104-74150-006-super-struct-4.dgn

DATE: 04/09/2010 10:51:05 USER: DCD