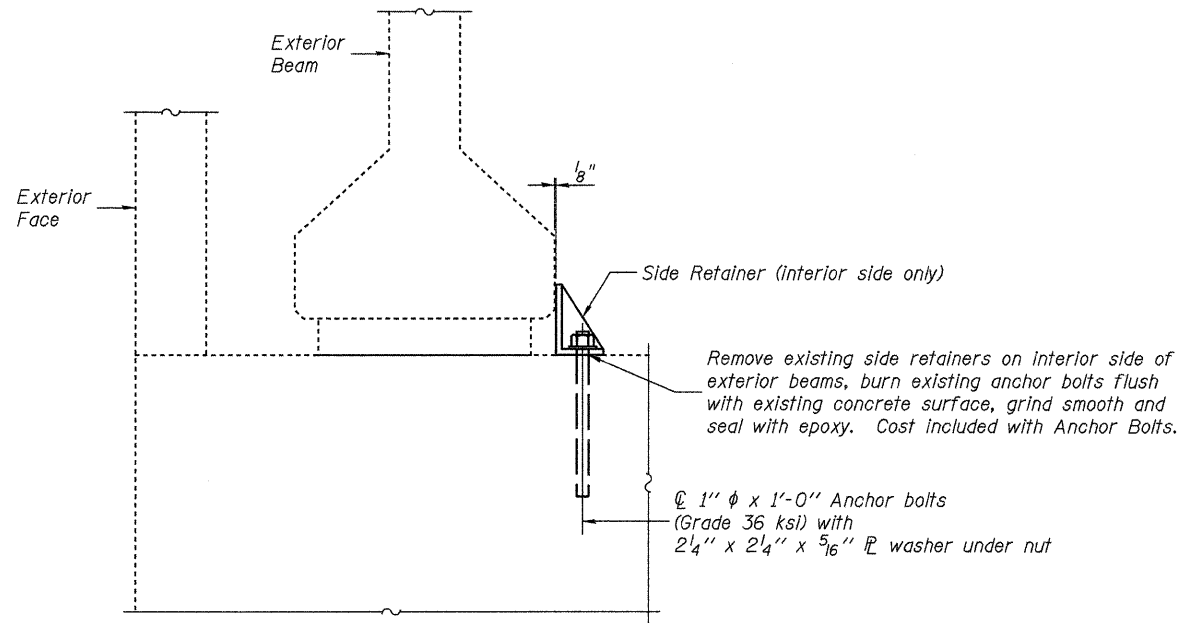
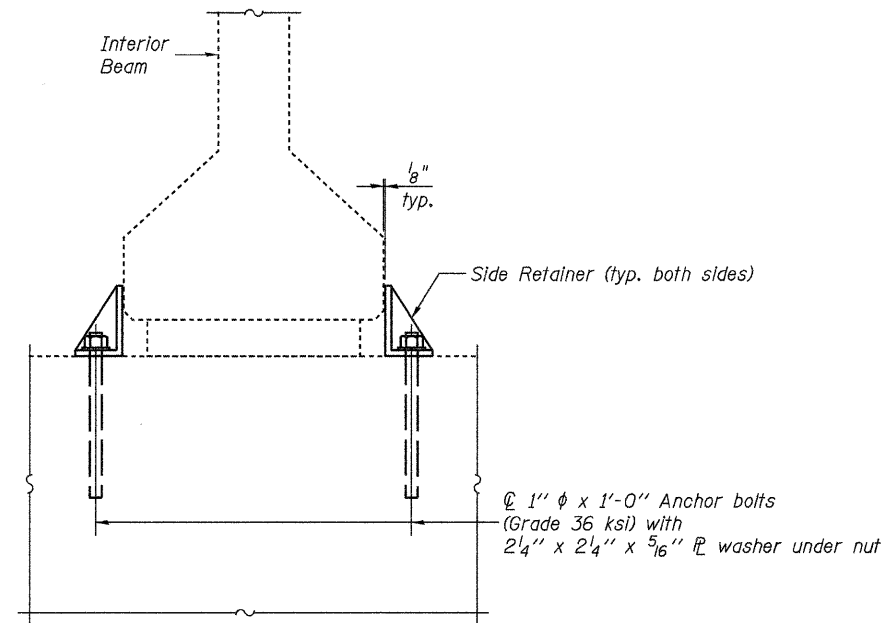


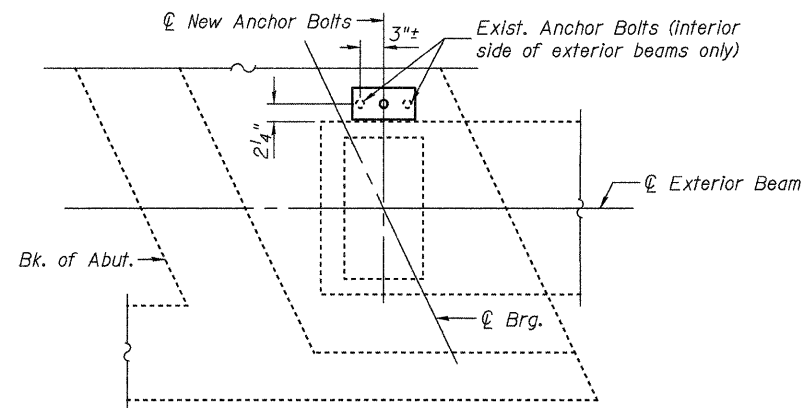
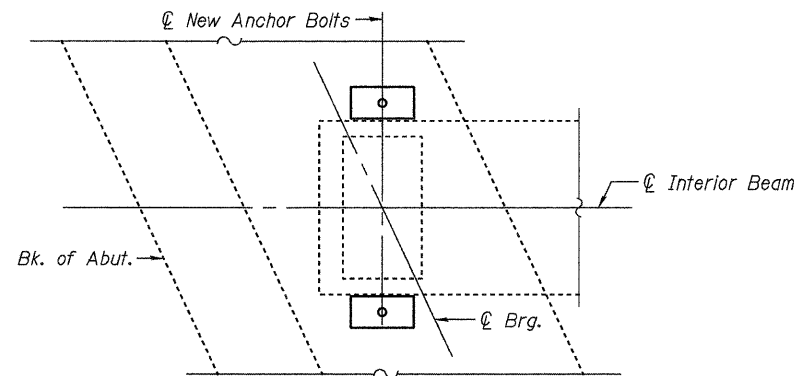
STATE OF ILLINOIS
DEPARTMENT OF TRANSPORTATION



SECTION AT EXTERIOR BEAM



SECTION AT INTERIOR BEAM



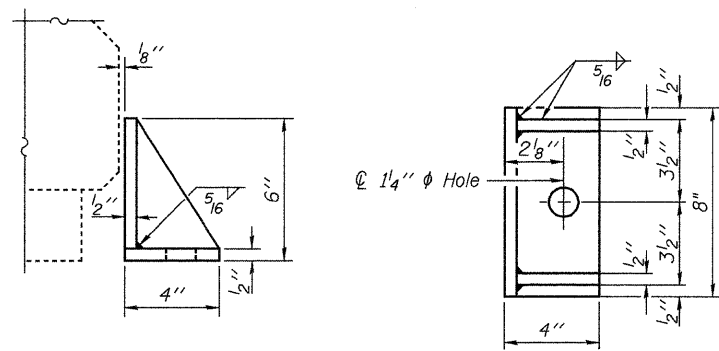
ANCHOR BOLT LAYOUT

(Typical at East Abutment, North end shown, South end similar)

Notes:
Anchor bolts shall be ASTM F1554 all-thread (or an Engineer-approved alternate material) of the grade(s) and diameter(s) specified. ASTM A307 Grade C anchor bolts may be used in lieu of ASTM F1554 Grade 36 (Fy=36ksi). The corresponding specified grade of AASHTO M314 anchor bolts may be used in lieu of ASTM F1554.
Anchor bolts for side retainers shall be installed in holes drilled after members are in place.
Drilled and set anchor bolts shall be installed according to Article 521.06 of the Standard Specifications.

BILL OF MATERIAL

Item	Unit	SB	NB
Furnishing and Erecting Structural Steel	Pound	140	140
Anchor Bolts, 1"	Each	10	10



SIDE RETAINER

Equivalent rolled angle with stiffeners will be allowed in lieu of welded plates.

JD Johnson, Depp & Quisenberry
CONSULTING ENGINEERS
Springfield, Illinois

DESIGNED: JDQ	DRAWN: SJS
CHECKED: DCD	CHECKED: DCD

**BEARING DETAILS - EAST ABUTMENT
STRUCTURE NO. 058-0104(NB) & 0105(SB)**

SHEET 8 OF 11	F.A.P. RTE.	SECTION	COUNTY	TOTAL SHEETS	SHEET NO.
	322	(58-20)RS	MACON	151	99
	STA. 142+55.53		CONTRACT NO. 74150		
FED. ROAD DIST. NO.		ILLINOIS FED. AID PROJECT			

FILE: J:\JDQ\10177 IL-D7VW#8 US51Brdge_Repair.s2-TaylorReed\0580104-74150-008-bearing.dgn

USER: DCD

DATE: 04/09/2010 10:51:00