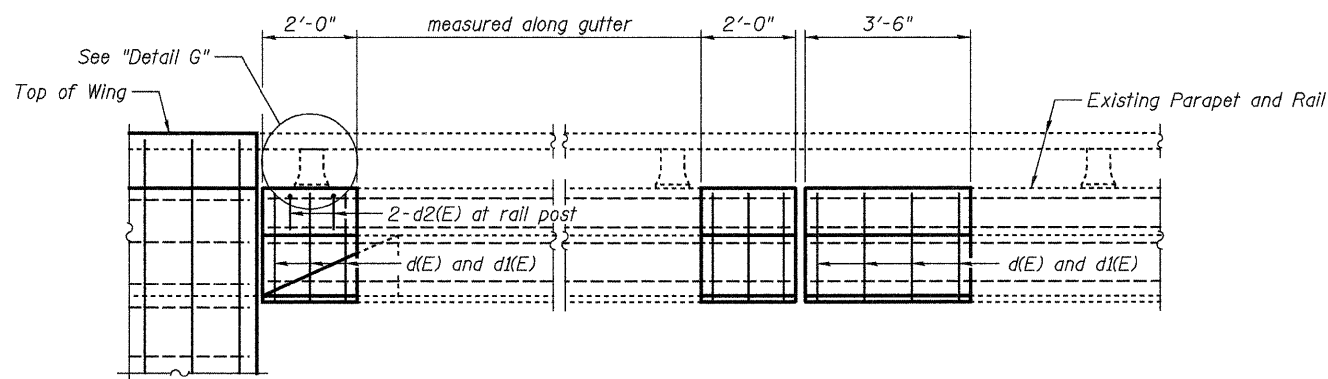


STATE OF ILLINOIS
DEPARTMENT OF TRANSPORTATION



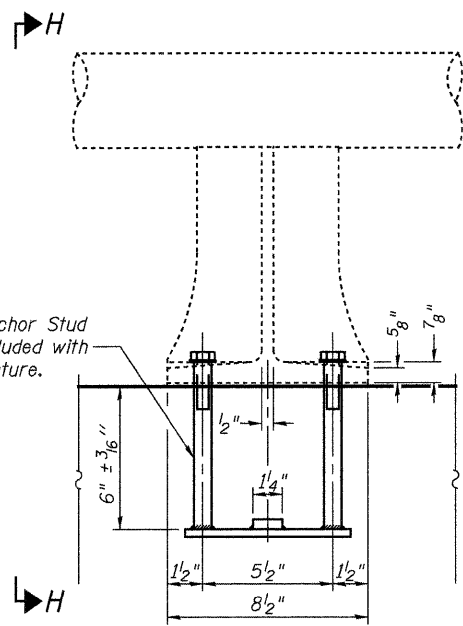
AT EAST ABUTMENT

AT SPAN 1

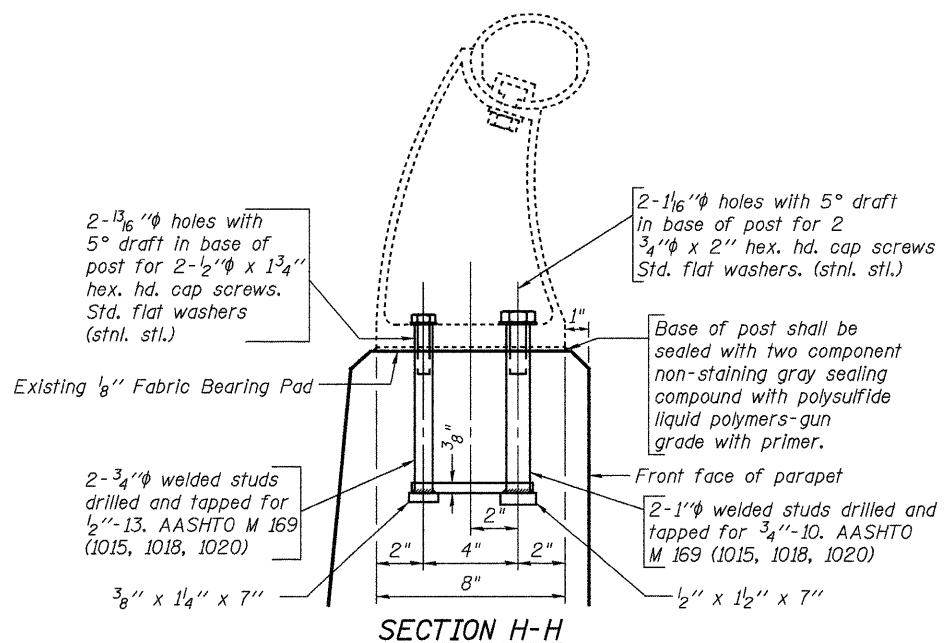
PARTIAL INSIDE ELEVATION OF PARAPET

(Span 3 & West Abutment similar)

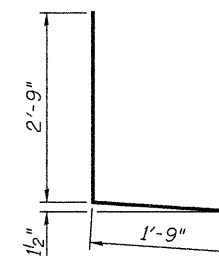
Replace existing Anchor Stud Assembly. Cost included with Concrete Superstructure.



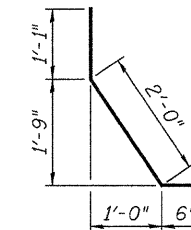
DETAIL G



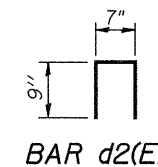
SECTION H-H



BAR d(E)



BAR d1(E)



BAR d2(E)

SUPERSTRUCTURE (SB)
BILL OF MATERIAL

Bar	No.	Size	Length	Shape
a(E)	60	#6	18'-1"	—
a1(E)	22	#6	25'-11"	—
a2(E)	32	#6	5'-0"	—
a4(E)	22	#6	23'-7"	—
a8(E)	8	#6	26'-5"	—
a9(E)	8	#6	22'-1"	—
d(E)	40	#4	4'-6"	L
d1(E)	40	#5	3'-7"	L
d2(E)	8	#4	2'-1"	Π
Reinforcement Bars, Epoxy Coated			Pound	4370
Concrete Superstructure			Cu. Yd.	29.9
Concrete Removal			Cu. Yd.	30.5

SUPERSTRUCTURE (NB)
BILL OF MATERIAL

Bar	No.	Size	Length	Shape
a(E)	60	#6	18'-1"	—
a2(E)	32	#6	5'-0"	—
a5(E)	22	#6	35'-3"	—
a7(E)	22	#6	32'-4"	—
a10(E)	8	#6	35'-11"	—
a11(E)	8	#6	30'-6"	—
d(E)	40	#4	4'-6"	L
d1(E)	40	#5	3'-7"	L
d2(E)	8	#4	2'-1"	Π
Reinforcement Bars, Epoxy Coated			Pound	5190
Concrete Superstructure			Cu. Yd.	37.6
Concrete Removal			Cu. Yd.	38.3

JD Johnson, Depp & Quisenberry
CONSULTING ENGINEERS
Springfield, Illinois

DESIGNED: JDQ	DRAWN: PTR
CHECKED: DCD	CHECKED: DCD

SUPERSTRUCTURE DETAILS
STRUCTURE NO. 058-0108(SB) & 0109(NB)

SHEET 10 OF 26	F.A.P. RTE.	SECTION	COUNTY	TOTAL SHEETS	SHEET NO.
	322	(58-20)RS	MACON	151	112
STA. 235+00.78		CONTRACT NO. 74150			
FED. ROAD DIST. NO. ILLINOIS FED. AID PROJECT					

FILE: J:\JDO\10177 IL-DTVV#8 US51BrtDge Repairs\3-IL48-NSRR\0580108-7450-01C-super-str-4.dgn

USER: DCD

DATE: 04/09/2010 18:02:50