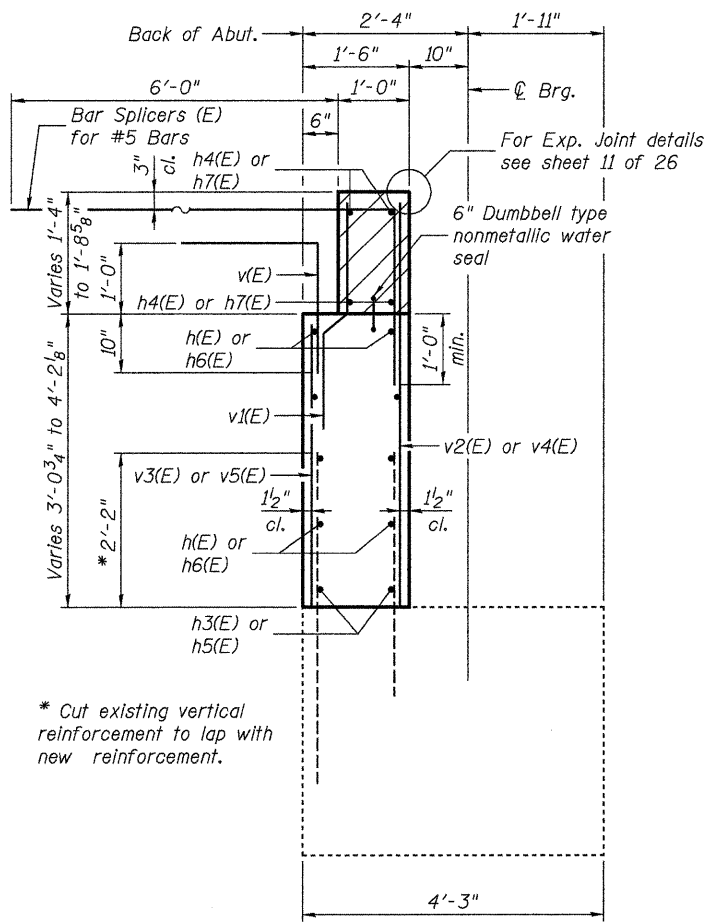


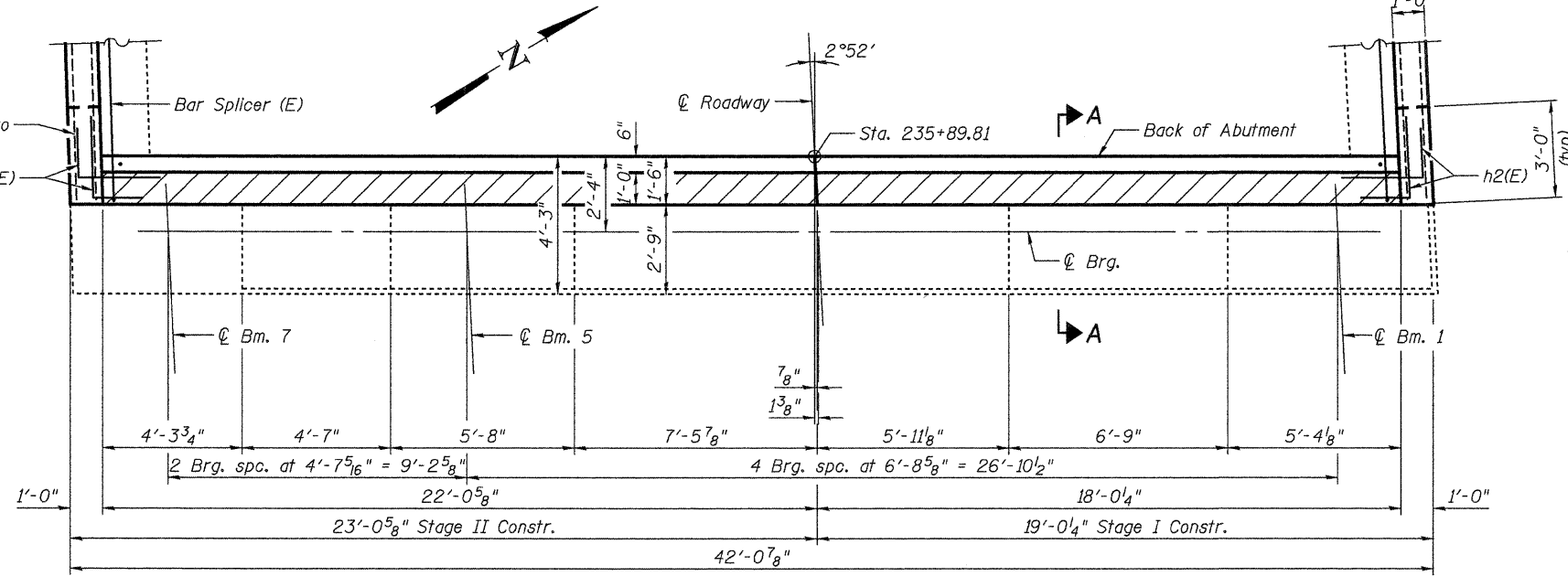
STATE OF ILLINOIS  
DEPARTMENT OF TRANSPORTATION



SECTION A-A

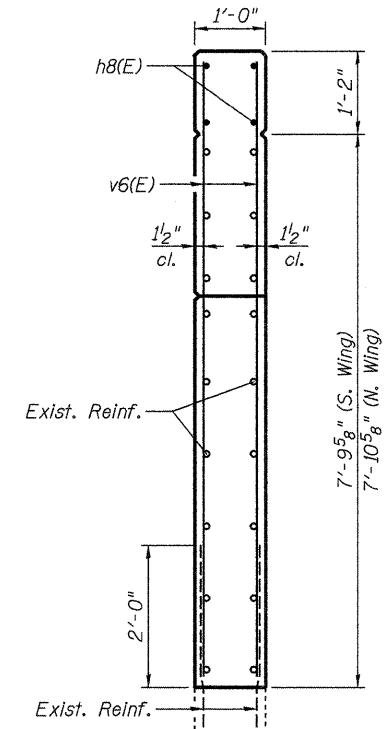
For Exp. Joint details see sheet 11 of 26

Existing wing reinforcement to remain in place



PLAN

Hatched area to be poured after superstructure false work has been removed. Quantity of concrete included with Concrete Superstructure.

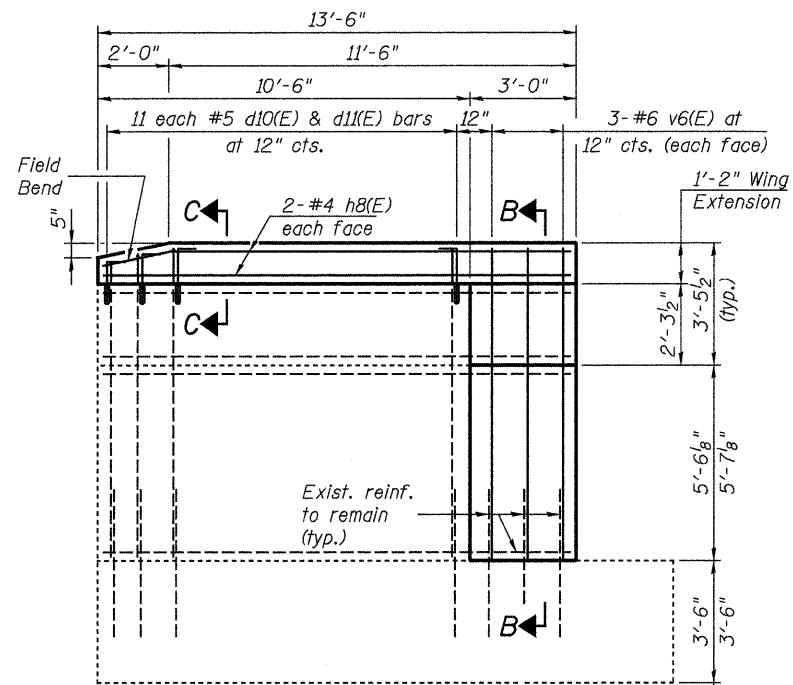


SECTION B-B

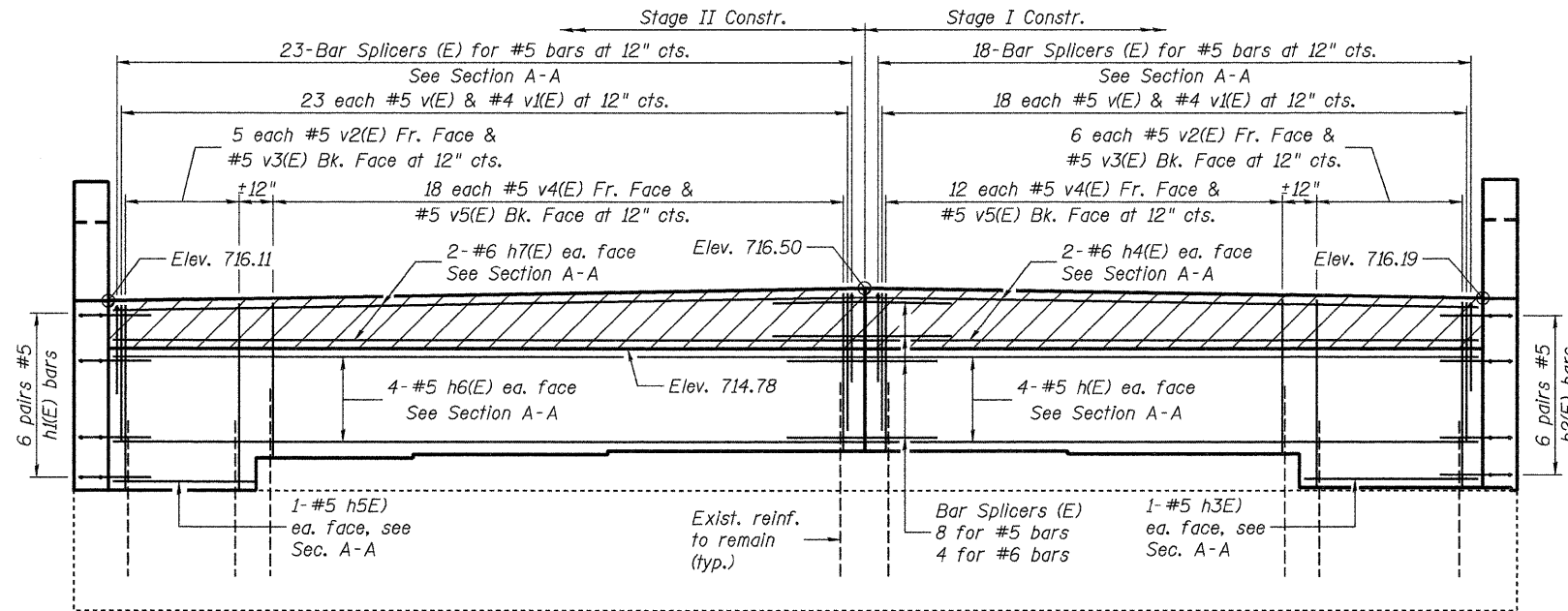
ABUTMENT  
BILL OF MATERIAL

| Bar                              | No. | Size    | Length | Shape |
|----------------------------------|-----|---------|--------|-------|
| d10(E)                           | 22  | #5      | 2'-7"  | ⊏     |
| d11(E)                           | 22  | #5      | 2'-0"  | ⊏     |
| h(E)                             | 8   | #5      | 18'-8" | —     |
| h1(E)                            | 12  | #5      | 4'-0"  | ⊏     |
| h2(E)                            | 12  | #5      | 4'-0"  | ⊏     |
| h3(E)                            | 2   | #5      | 6'-0"  | —     |
| h4(E)                            | 4   | #6      | 17'-8" | —     |
| h5(E)                            | 2   | #5      | 5'-0"  | —     |
| h6(E)                            | 8   | #5      | 22'-8" | —     |
| h7(E)                            | 4   | #6      | 21'-8" | —     |
| h8(E)                            | 8   | #4      | 13'-0" | —     |
| v(E)                             | 41  | #5      | 3'-9"  | ⊏     |
| v1(E)                            | 41  | #4      | 3'-2"  | ⊏     |
| v2(E)                            | 11  | #5      | 5'-2"  | —     |
| v3(E)                            | 11  | #5      | 3'-10" | —     |
| v4(E)                            | 30  | #5      | 4'-5"  | —     |
| v5(E)                            | 30  | #5      | 2'-10" | —     |
| v6(E)                            | 12  | #6      | 8'-7"  | —     |
| Structure Excavation             |     | Cu. Yd. |        | 76    |
| Concrete Removal                 |     | Cu. Yd. |        | 11.8  |
| Concrete Structures              |     | Cu. Yd. |        | 10.3  |
| Concr. Superstructure            |     | Cu. Yd. |        | 2.3   |
| Reinforcement Bars, Epoxy Coated |     | Pound   |        | 1610  |

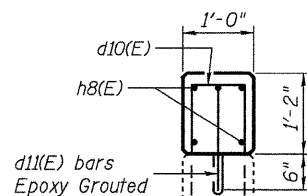
For details of Bar Splicers, see sheet 25 of 26.



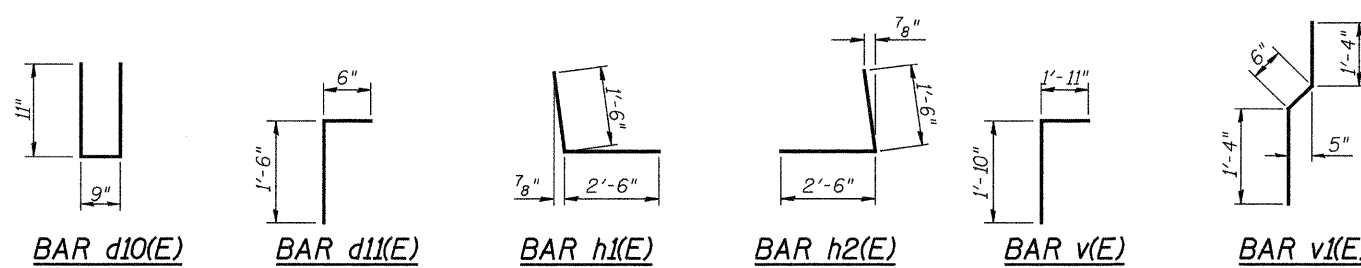
WING ELEVATION



ELEVATION



SECTION C-C



**Johnson, Depp & Quisenberry**  
CONSULTING ENGINEERS  
Springfield, Illinois

DESIGNED: JDQ      DRAWN: P. Ray  
CHECKED: DCD      CHECKED: DCD

WEST ABUTMENT (SB)  
STRUCTURE NO. 058-0108(SB) & 0109(NB)

| SHEET NO.           | SECTION        | COUNTY                    | TOTAL SHEETS | SHEET NO. |
|---------------------|----------------|---------------------------|--------------|-----------|
| 19                  | (58-20)RS      | MACON                     | 151          | 121       |
| OF 26               | STA. 235+00.78 | CONTRACT NO.              | 74150        |           |
| FED. ROAD DIST. NO. |                | ILLINOIS FED. AID PROJECT |              |           |