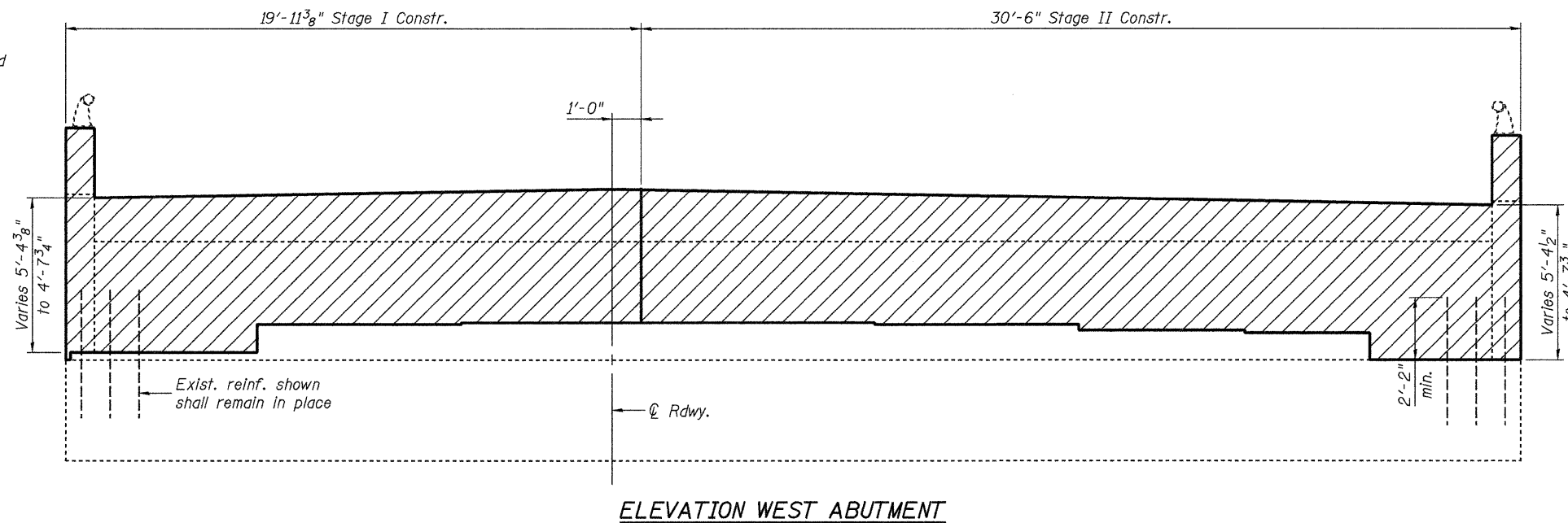
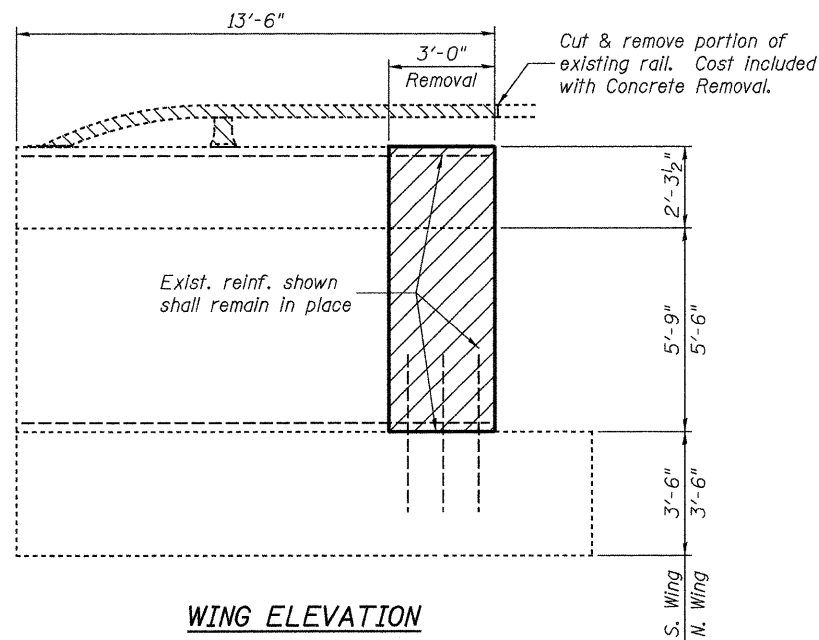
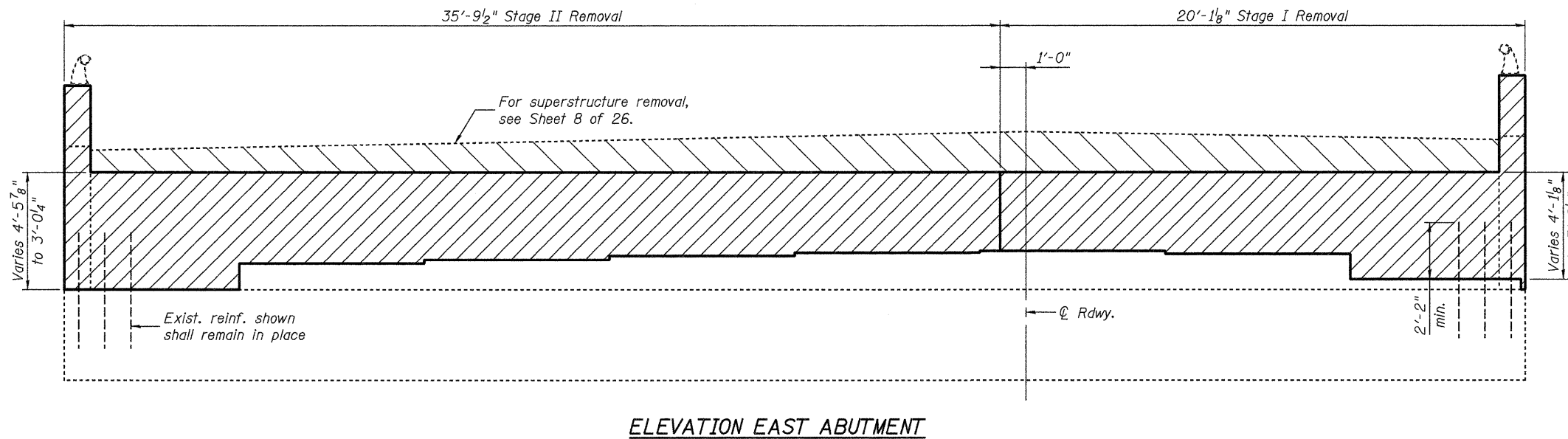
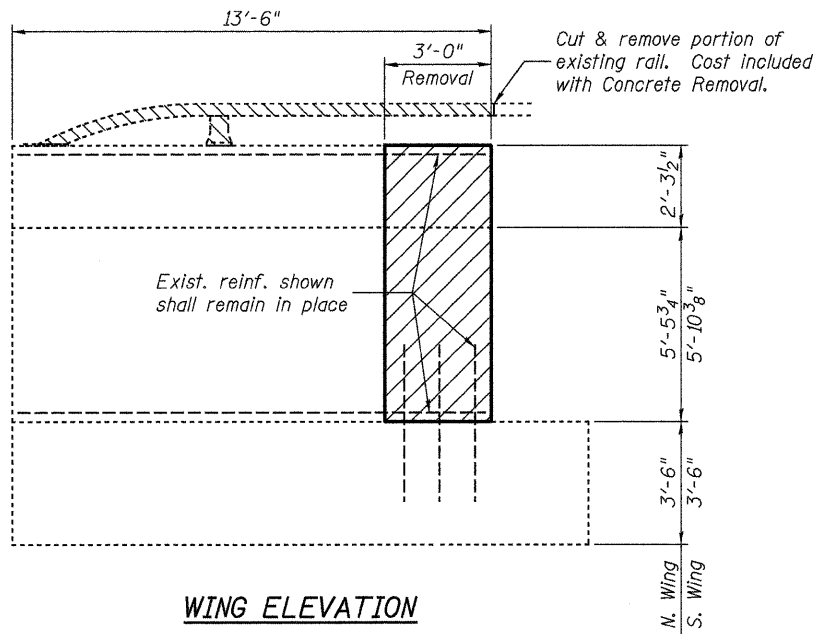


STATE OF ILLINOIS
DEPARTMENT OF TRANSPORTATION



Indicates Limits of Concrete Removal.

Note:
Quantities for Concrete Removal are included on sheets 21 and 22 of 26.

Johnson, Depp & Quisenberry
CONSULTING ENGINEERS
Springfield, Illinois

DESIGNED: JDQ	DRAWN: SJS
CHECKED: DCD	CHECKED: DCD

ABUTMENT - REMOVAL (NB)
STRUCTURE NO. 058-0108(SB) & 0109(NB)

SHEET 20 OF 26	F.A.P. RTE.	SECTION	COUNTY	TOTAL SHEETS	SHEET NO.
	322	158-201RS	MACON	151	122
	STA. 235+00.78		CONTRACT NO. 74150		
FED. ROAD DIST. NO.		ILLINOIS FED. AID PROJECT			