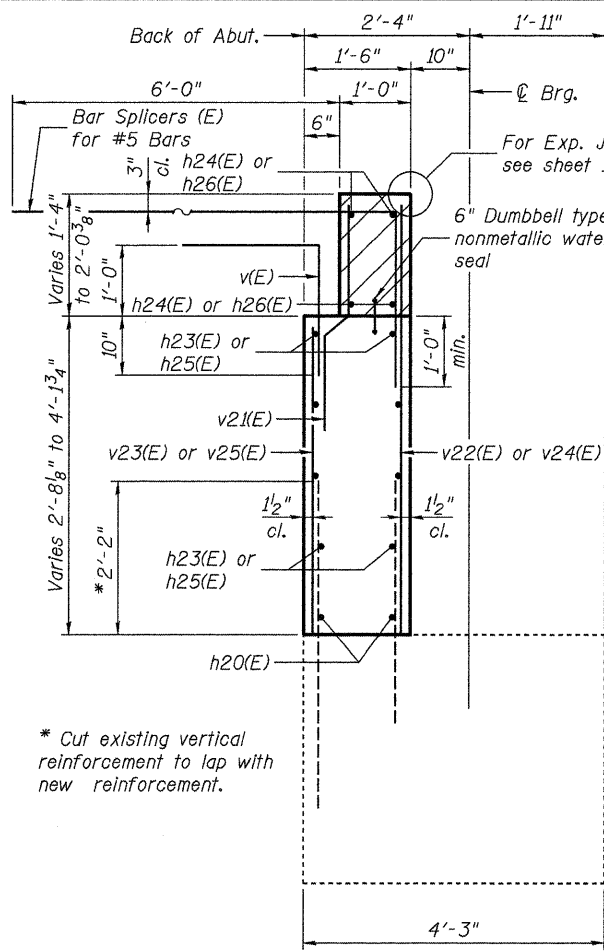
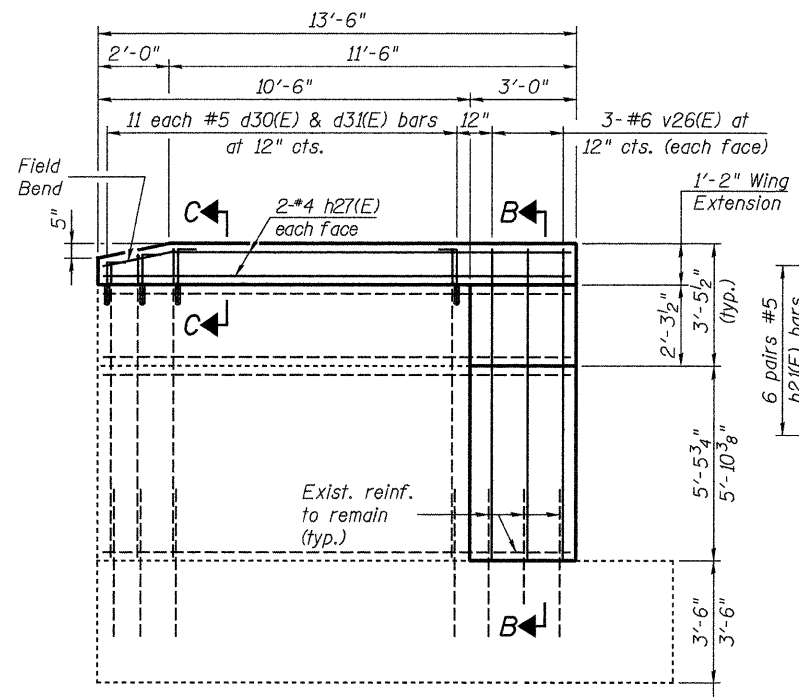


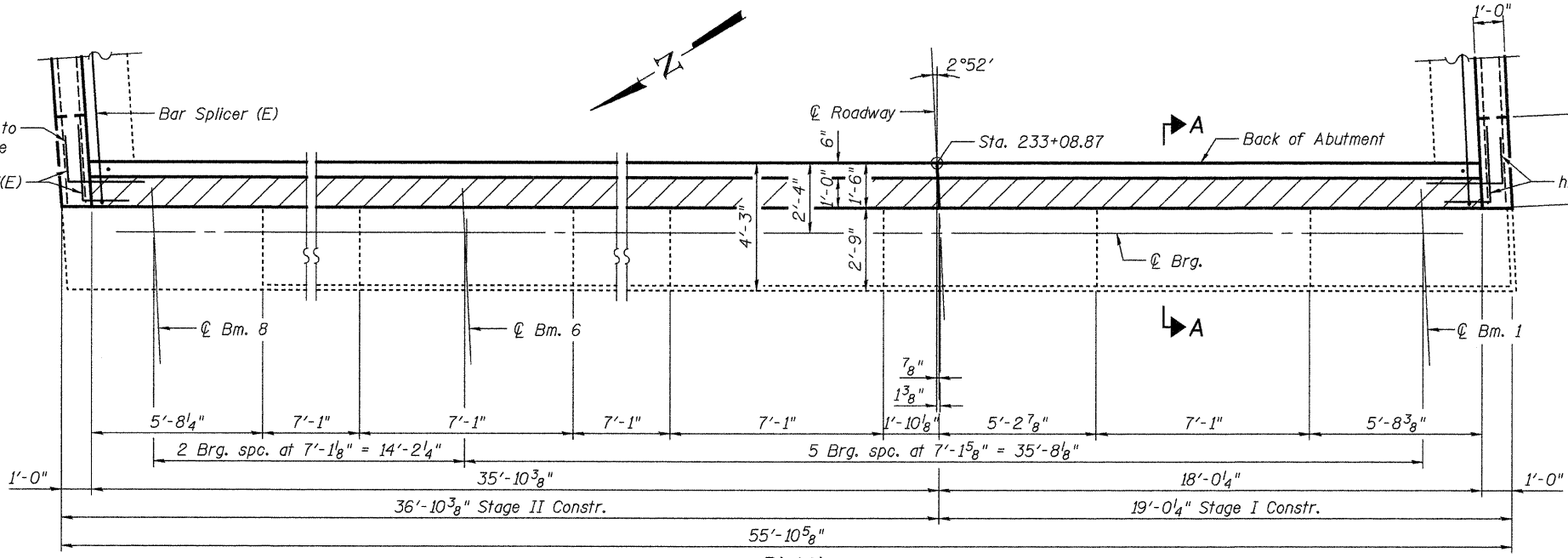
STATE OF ILLINOIS
DEPARTMENT OF TRANSPORTATION



SECTION A-A

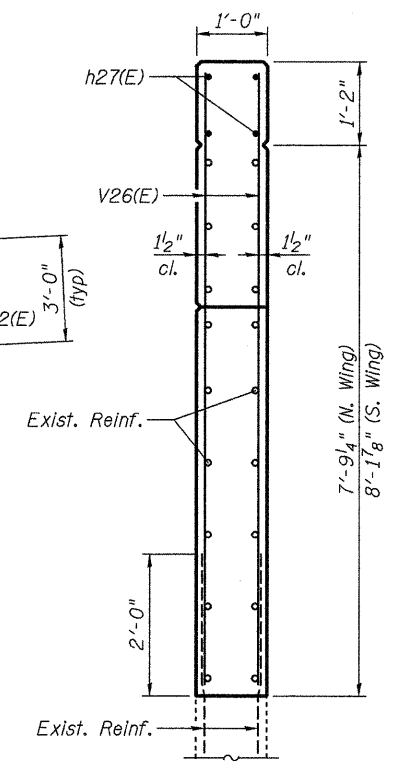


WING ELEVATION



PLAN

Hatched area to be poured after superstructure false work has been removed. Quantity of concrete included with Concrete Superstructure.

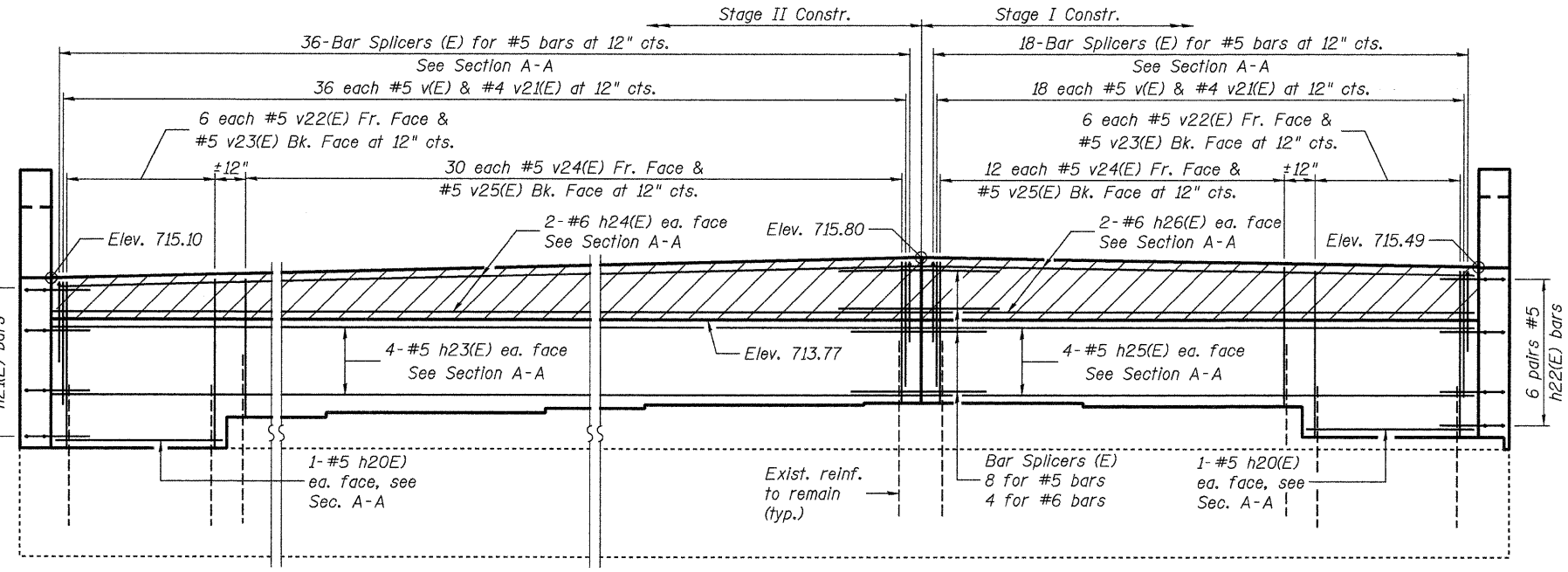


SECTION B-B

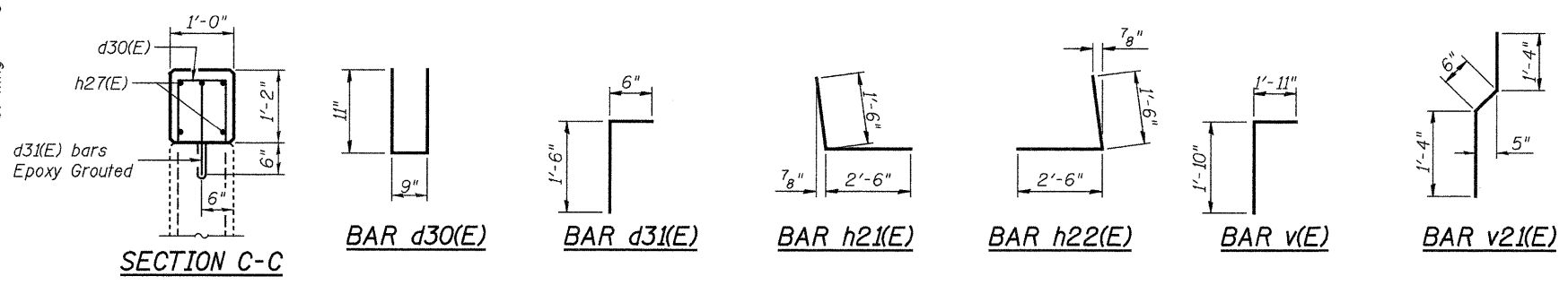
ABUTMENT
BILL OF MATERIAL

Bar	No.	Size	Length	Shape
d30(E)	22	#5	2'-7"	□
d31(E)	22	#5	2'-0"	└
h20(E)	4	#5	6'-4"	—
h21(E)	12	#5	4'-0"	└
h22(E)	12	#5	4'-0"	└
h23(E)	8	#5	36'-6"	—
h24(E)	4	#6	35'-6"	—
h25(E)	8	#5	18'-8"	—
h26(E)	4	#6	17'-8"	—
h27(E)	8	#4	13'-0"	—
v(E)	54	#5	3'-9"	└
v21(E)	54	#4	3'-2"	└
v22(E)	12	#5	5'-2"	—
v23(E)	12	#5	3'-6"	—
v24(E)	42	#5	4'-3"	—
v25(E)	42	#5	2'-5"	—
v26(E)	12	#6	8'-7"	—
Structure Excavation			Cu. Yd.	106
Concrete Removal			Cu. Yd.	12.8
Concrete Structures			Cu. Yd.	12.3
Concr. Superstructure			Cu. Yd.	3.6
Reinforcement Bars, Epoxy Coated			Pound	1960

For details of Bar Splicers, see sheet 25 of 26.



ELEVATION



SECTION C-C

BAR d30(E)

BAR d31(E)

BAR h21(E)

BAR h22(E)

BAR v(E)

BAR v21(E)

JD Johnson, Depp & Quisenberry
CONSULTING ENGINEERS
Springfield, Illinois

DESIGNED: JDQ	DRAWN: P. Ray
CHECKED: DCD	CHECKED: DCD

EAST ABUTMENT (NB)
STRUCTURE NO. 058-0108(SB) & 0109(NB)

SHEET 21 OF 26	F.A.P. RTE. 322	SECTION 158-201RS	COUNTY MACON	TOTAL SHEETS 151	SHEET NO. 123
		STA. 235+00.78	CONTRACT NO. 74150		
	FED. ROAD DIST. NO.	ILLINOIS FED. AID PROJECT			

FILE: J:\JDD\110177 IL-DTVM#8 US51 Bridge Repairs\3-IL48-NSRR\0580108-74150-021-abut-NB.dgn
 USER: DCD
 DATE: 04/09/2010 18:03:24