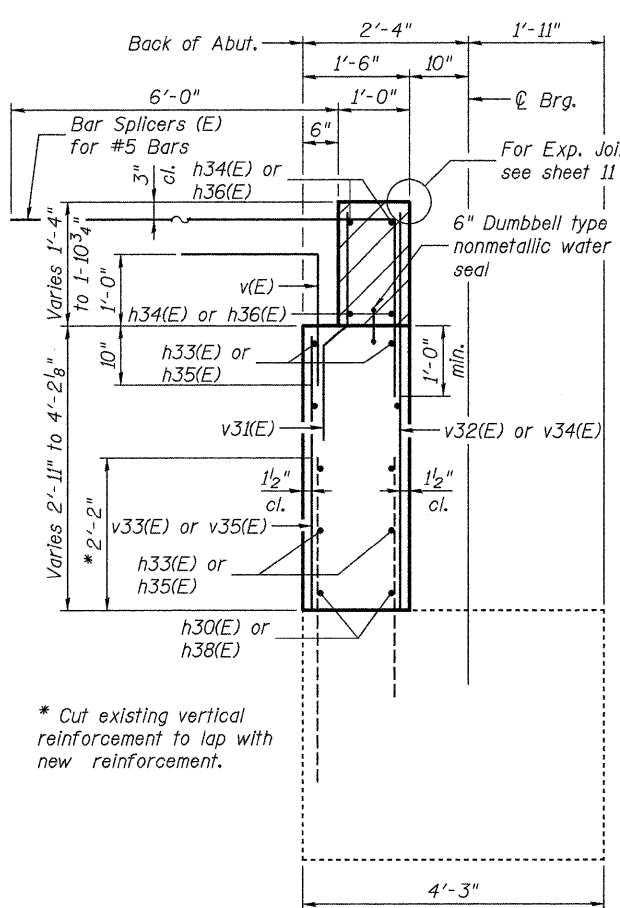
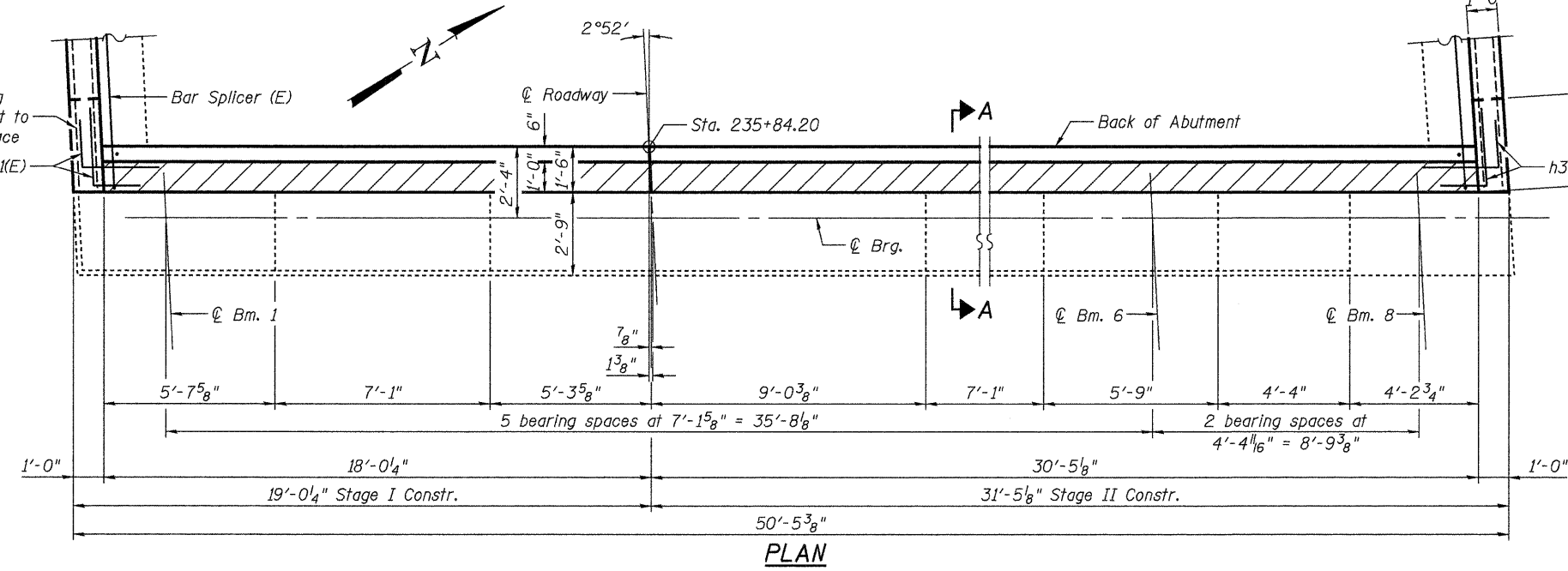


STATE OF ILLINOIS  
DEPARTMENT OF TRANSPORTATION

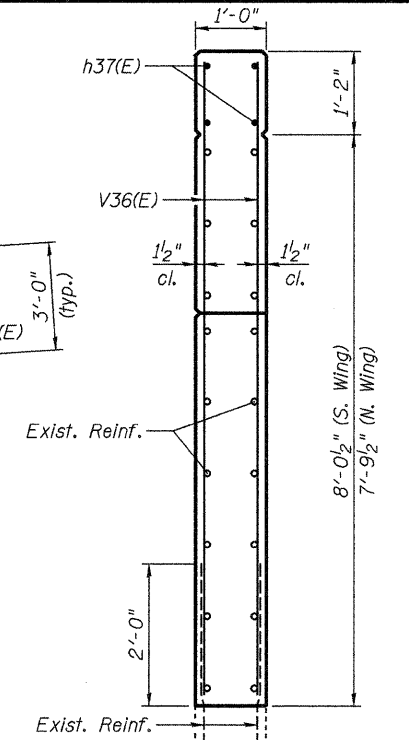


SECTION A-A



PLAN

Hatched area to be poured after superstructure false work has been removed. Quantity of concrete included with Concrete Superstructure.

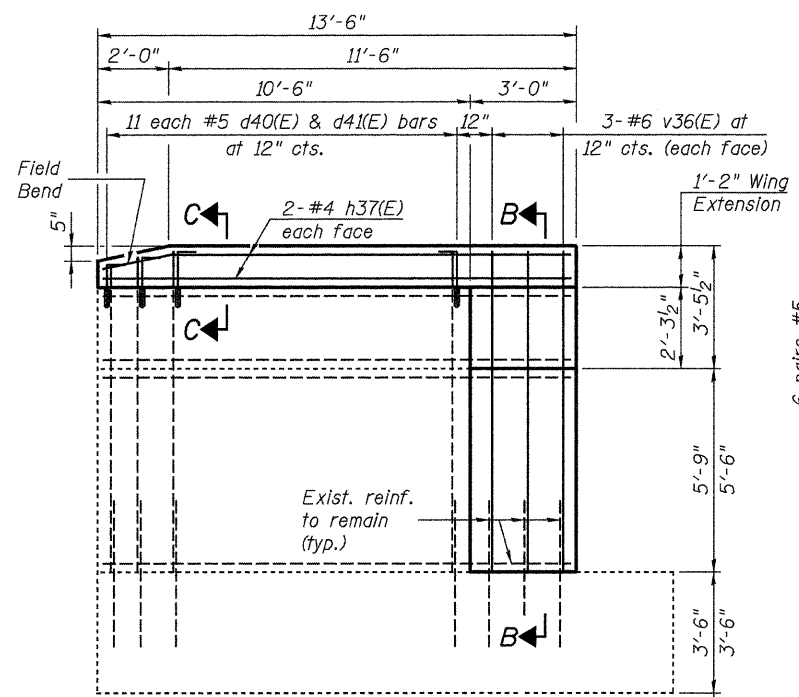


SECTION B-B

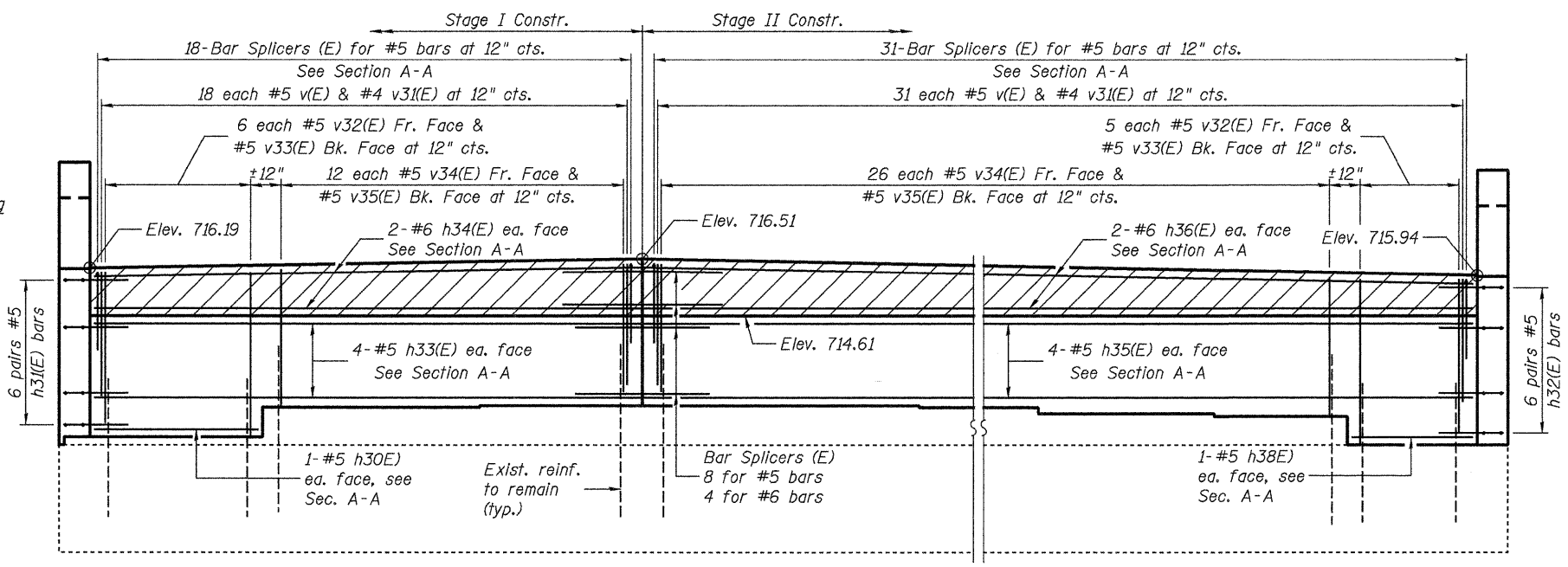
ABUTMENT  
BILL OF MATERIAL

Bar	No.	Size	Length	Shape
d40(E)	22	#5	2'-7"	⊏
d41(E)	22	#5	2'-0"	⊏
h30(E)	2	#5	6'-3"	—
h31(E)	12	#5	4'-0"	⊏
h32(E)	12	#5	4'-0"	⊏
h33(E)	8	#5	18'-8"	—
h34(E)	4	#6	17'-8"	—
h35(E)	8	#5	31'-0"	—
h36(E)	4	#6	30'-0"	—
h37(E)	8	#4	13'-0"	—
h38(E)	2	#5	4'-10"	—
v(E)	49	#5	3'-9"	⊏
v31(E)	49	#4	3'-2"	⊏
v32(E)	11	#5	5'-2"	—
v33(E)	11	#5	3'-8"	—
v34(E)	38	#5	4'-5"	—
v35(E)	38	#5	2'-8"	—
v36(E)	12	#6	8'-7"	—
Structure Excavation		Cu. Yd.		94
Concrete Removal		Cu. Yd.		14.0
Concrete Structures		Cu. Yd.		11.7
Concr. Superstructure		Cu. Yd.		3.0
Reinforcement Bars, Epoxy Coated		Pound		1830

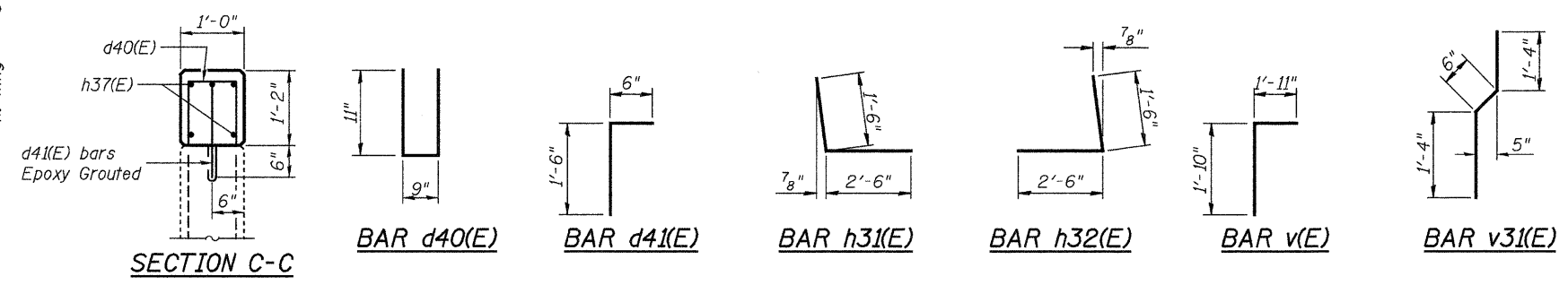
For details of Bar Splicers, see sheet 25 of 26.



WING ELEVATION



ELEVATION



SECTION C-C

**JD Johnson, Depp & Quisenberry**  
CONSULTING ENGINEERS  
Springfield, Illinois

DESIGNED: JDQ      DRAWN: P. Ray  
CHECKED: DCD      CHECKED: DCD

WEST ABUTMENT (NB)  
STRUCTURE NO. 058-0108(SB) & 0109(NB)

SHEET NO.	SECTION	COUNTY	TOTAL SHEETS	SHEET NO.
322	158-201RS	MACON	151	124
OF 26	STA. 235+00.78	CONTRACT NO.	74150	
FED. ROAD DIST. NO.		ILLINOIS FED. AID PROJECT		

FILE: J:\JDD\10177 IL-DTVM#8 USS51 Bridge Repairs\3-IL48-NSRR\0580108-7450-022-abut2-NB.dgn  
 USER: DCD  
 DATE: 04/09/2010 18:03:27