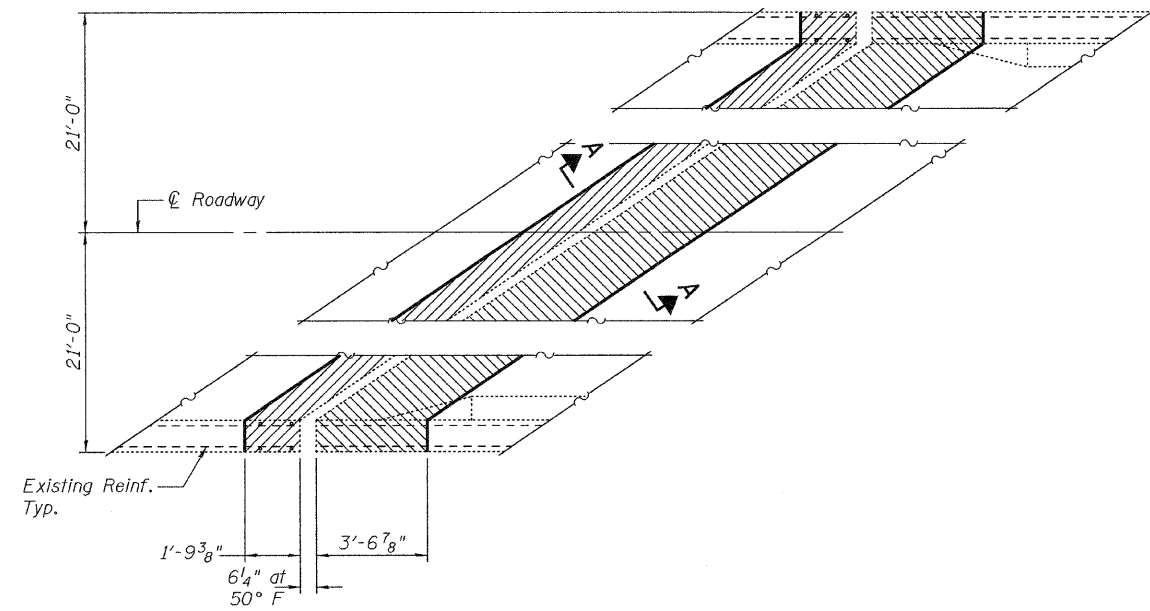
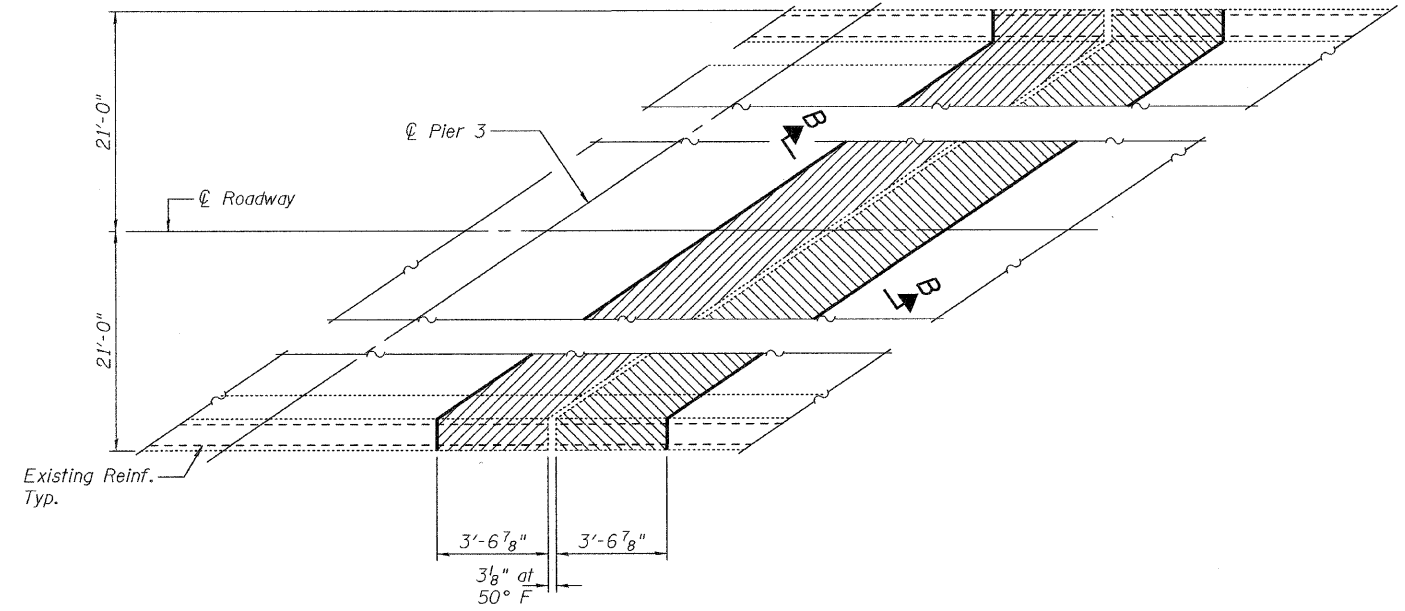


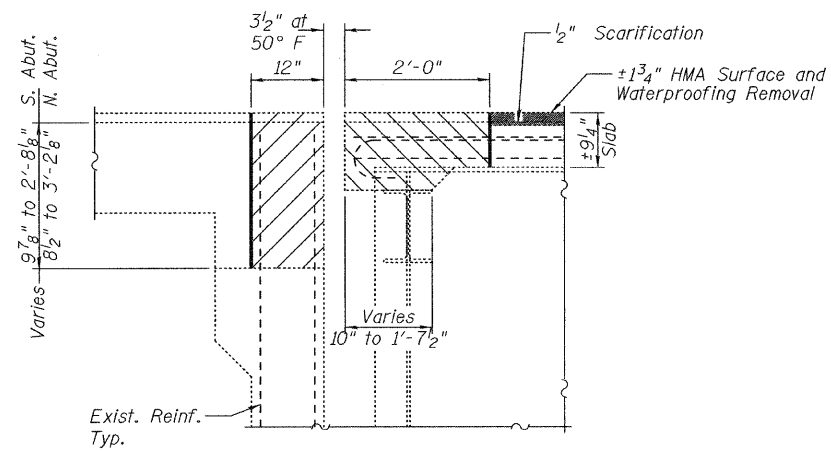
STATE OF ILLINOIS  
DEPARTMENT OF TRANSPORTATION



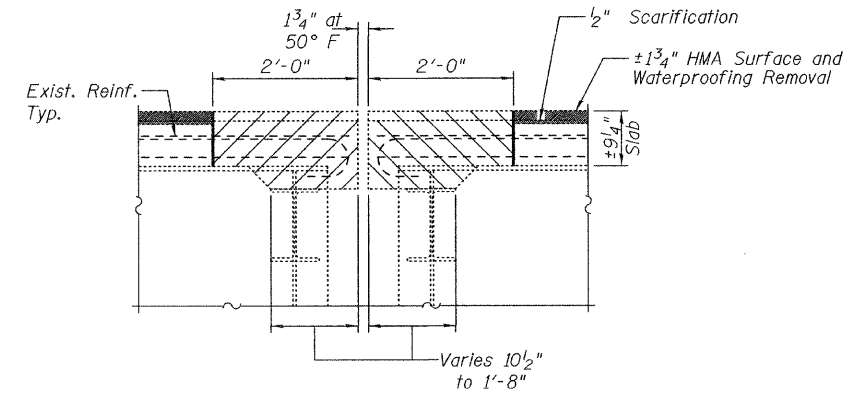
**TYPICAL PLAN AT ABUTMENT**  
(South Abutment Shown, North Abutment Similar by Rotation)



**PLAN AT HINGE JOINT**



**SECTION A-A**



**SECTION B-B**

DESIGNED	A.T.H.
CHECKED	I.J.L.
DRAWN	Drew Christopher
CHECKED	A.T.H. I.J.L.

APPROVED	April 29, 2010
EXAMINED	<i>Carl P. ...</i>
PASSED	<i>Ralph E. Anderson</i>
	ENGINEER OF STRUCTURAL SERVICES
	ENGINEER OF BRIDGES AND STRUCTURES

**REMOVAL DETAILS**  
**SN 058-0103**

SHEET NO. 2 9 SHEETS	F.A.P. RTE. 322	SECTION (58-20)RS	COUNTY Macon	TOTAL SHEETS 151	SHEET NO. 130
	CONTRACT NO. 74150				
FED. ROAD DIST. NO.		ILLINOIS FED. AID PROJECT			