

STATE OF ILLINOIS
DEPARTMENT OF TRANSPORTATION

BEAM REACTIONS

R _P	(K)	34.4
----------------	-----	------

Notes:
Diaphragm removal and installation may be required to facilitate drilling holes. Cost included with Furnishing and Erecting Structural Steel.
New steel extensions, shim plates and connection bolts are included with Furnishing and Erecting Structural Steel.
Prior to ordering any material, the Contractor shall verify in the field all bearing height and shim thickness dimensions. Min. Jack capacity = 30 Tons.

Anchor bolts shall be ASTM F1554 all-thread (or an Engineer-approved alternate material) of the grade(s) and diameter(s) specified. ASTM A307 Grade C anchor bolts may be used in lieu of ASTM F1554 Grade 36 (F_y=36ksi). The corresponding specified grade of AASHTO M314 anchor bolts may be used in lieu of ASTM F1554.

Anchor bolts at fixed bearings may be either cast in place or installed in holes drilled after the supported member is in place.

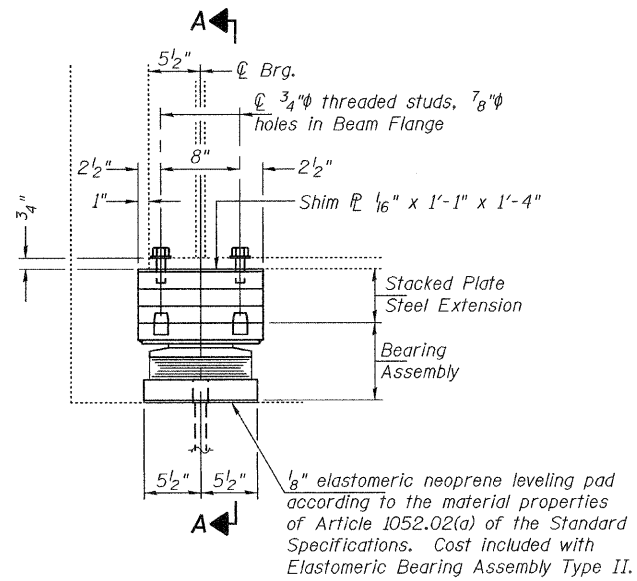
Anchor bolts for Type II bearings shall be placed in holes drilled through the bottom bearing plate after members are in place. Side retainers shall be placed after bolts are installed.

Drilled and set anchor bolts shall be installed according to Article 521.06 of the Standard Specifications.

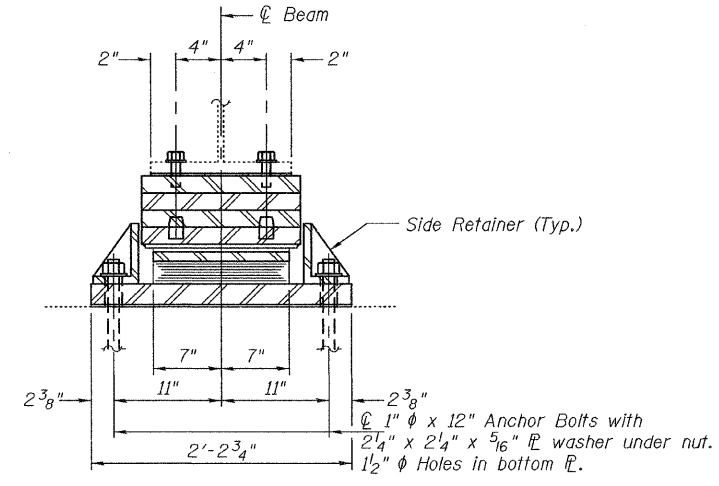
Side retainers shall be included in the cost of Elastomeric Bearing Assembly, Type II.

The 1/8" PTFE sheet shall be bonded directly to the top steel plate with a two-component, medium viscosity epoxy resin, conforming to the requirements of the Federal Specification MMM-A-134, Type I. The bond agent shall be applied on the full area of the contact surfaces.

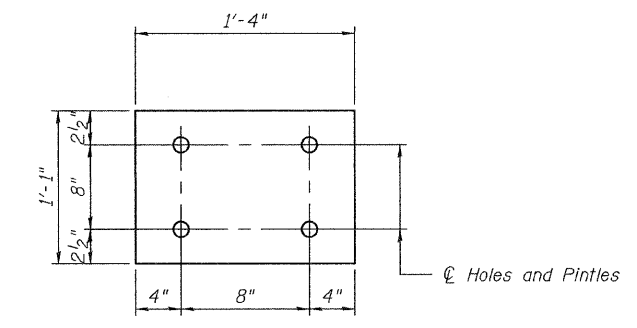
Bonding of 1/8" PTFE sheet during vulcanizing process will be permitted provided the process and method of adjusting assembly height is approved by the Engineer.



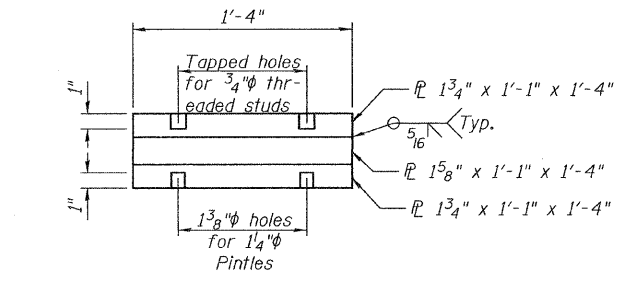
ELEVATION AT ABUTMENT



SECTION A-A

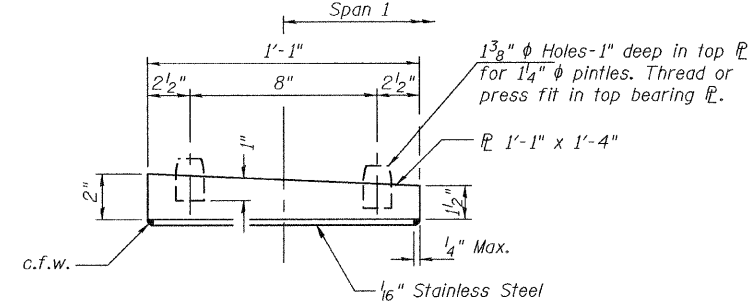


PLAN TOP AND BOTTOM PLATE

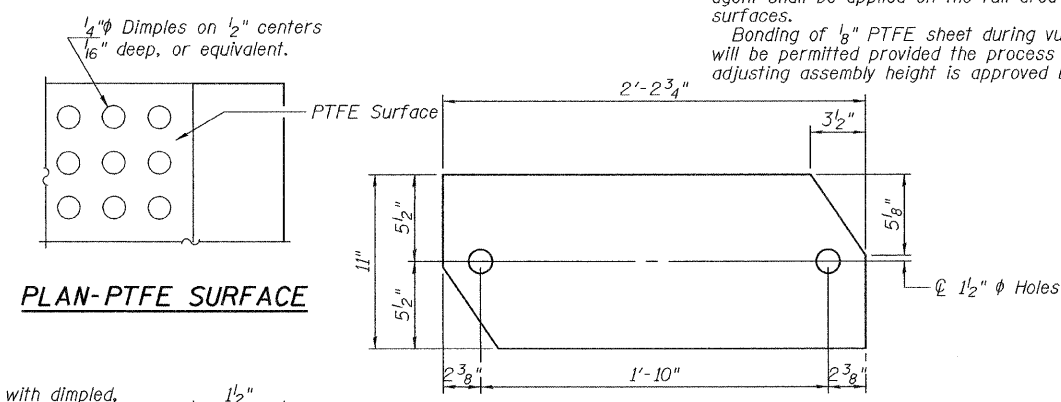


STEEL EXTENSION DETAIL

TYPE II TFE ELASTOMERIC EXP. BRG.

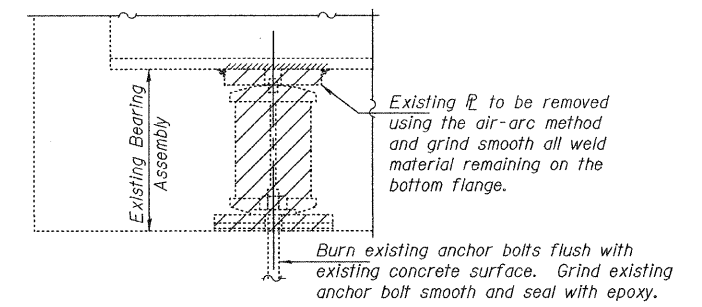


TOP BEARING ASSEMBLY

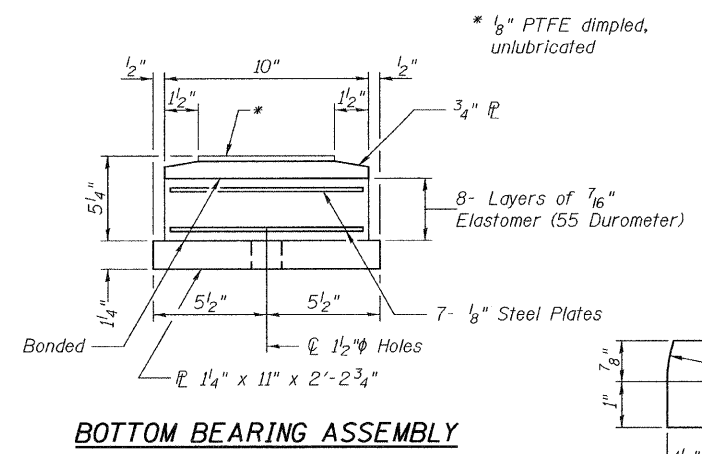


PLAN-PTFE SURFACE

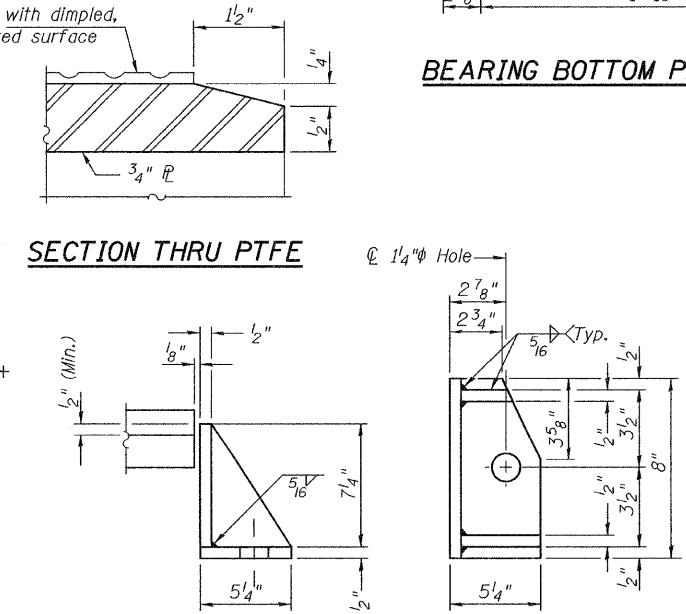
BEARING BOTTOM PLATE PLAN



EXISTING BEARING REMOVAL DETAIL

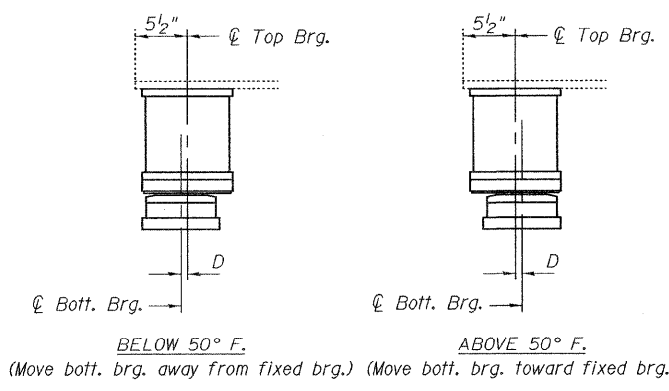


BOTTOM BEARING ASSEMBLY



SECTION THRU PTFE

SIDE RETAINER



SETTING ANCHOR BOLTS AT EXP. BRG.

D = 1/8" per each 100' of expansion for every 15° temp. change from the normal temp. of 50°F.

EXISTING BEARING REMOVAL DETAIL

Cost included with Jack and Remove Existing Bearings.

BILL OF MATERIAL

Item	Unit	Total
Elastomeric Bearing Assembly, Type II	Each	6
Jack and Remove Existing Bearings	Each	6
Furnishing and Erecting Structural Steel	Pound	1,850
Anchor Bolts 1" ∅	Each	12

SOUTH ABUTMENT BEARING DETAILS
SN 058-0103

DESIGNED	A.T.H.
CHECKED	I.J.L.
DRAWN	Drew Christopher
CHECKED	A.T.H. I.J.L.

April 29, 2010
EXAMINED <i>Carl Honey</i> ENGINEER OF STRUCTURAL SERVICES
PASSED <i>Ralph E. Anderson</i> ENGINEER OF BRIDGES AND STRUCTURES

TYII/REPS 12-03-2008

SHEET NO. 5 9 SHEETS	F.A.P. RTE. 322	SECTION (58-20)RS	COUNTY Macon	TOTAL SHEETS 151	SHEET NO. 133
	FED. ROAD DIST. NO.	ILLINOIS	FED. AID PROJECT	CONTRACT NO. 74150	