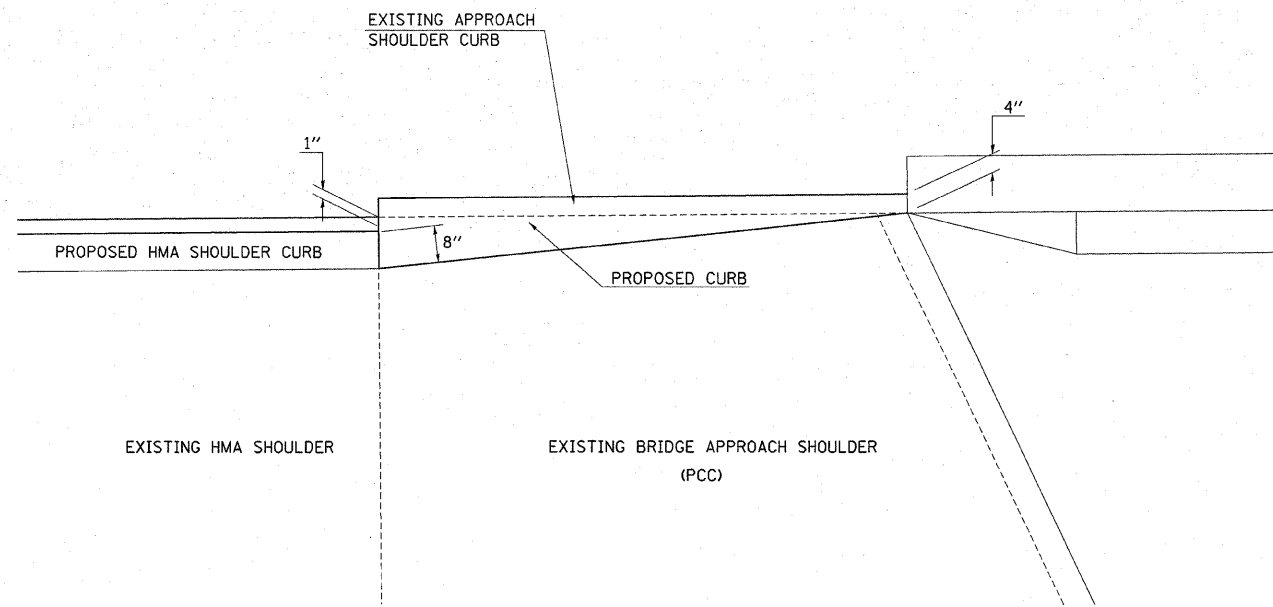


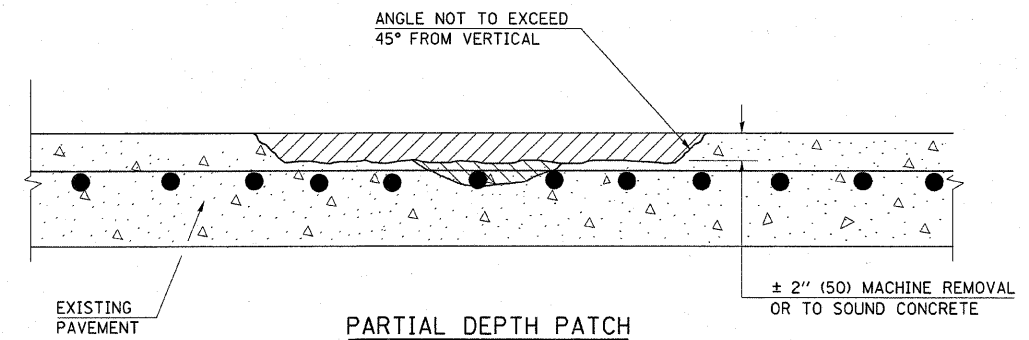
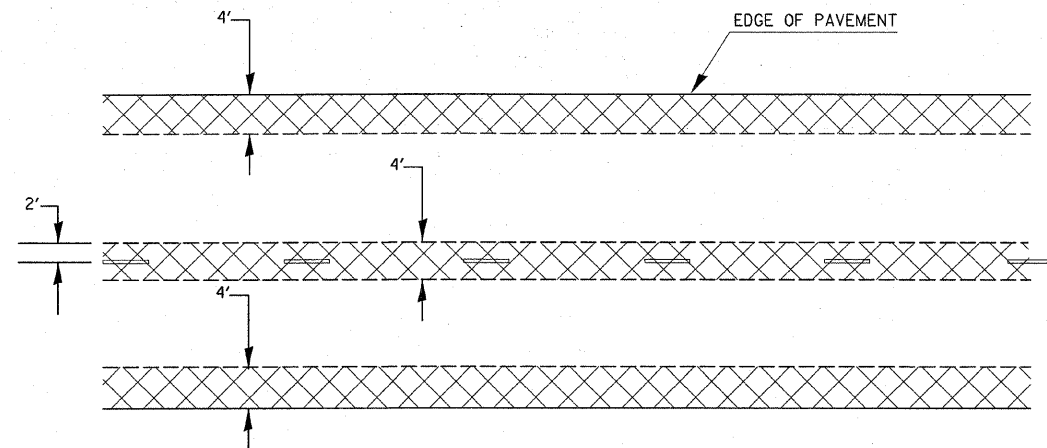
CURB REMOVAL AND REPLACEMENT

S.N. 058-0104 AND 058-0105
APPROACH SHOULDER PAVEMENT



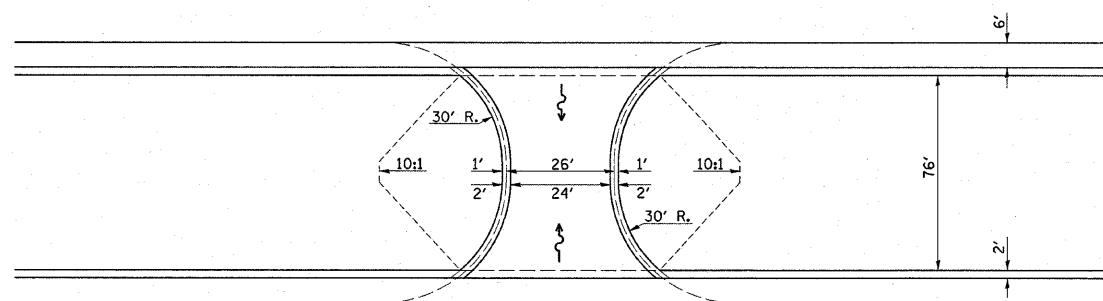
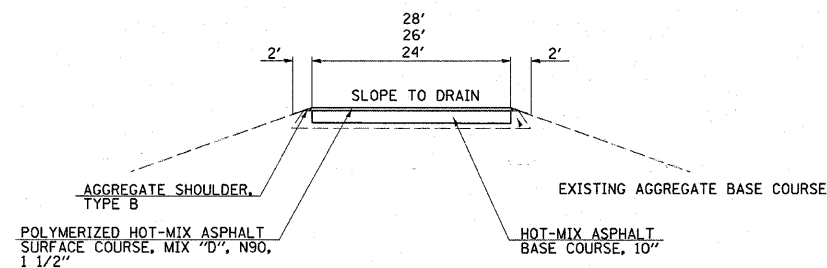
NOTE: DETAIL NOT DRAWN TO SCALE

PARTIAL DEPTH PATCHING FOR BARE P.C.C. PAVEMENT



DETAIL OF MEDIAN CROSSOVER TO BE RECONSTRUCTED

STA. 162 + 34
STA. 268 + 70
STA. 331 + 45



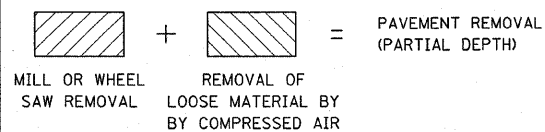
PLAN

SEQUENCE OF CONSTRUCTION

1. INSPECT PAVEMENT TO DETERMINE IF A FULL OR PARTIAL DEPTH PATCH IS REQUIRED.
2. REMOVE AND REPLACE FULL DEPTH OR PARTIAL DEPTH PATCH.

GENERAL NOTES

1. THE WORK REQUIRED TO PERFORM A PARTIAL DEPTH PATCH SHALL BE PAID FOR AS SPECIFIED IN THE SPECIAL PROVISION ENTITLED "PAVEMENT PATCHING (PARTIAL DEPTH)".



ALL DIMENSIONS ARE IN INCHES (MILLIMETERS) UNLESS OTHERWISE SHOWN.

FILE NAME =	USER NAME = swartzw	DESIGNED -	REVISED -
c:\pw_work\p\dot\swartzw\d0138928\0774150-details.dgn		DRAWN -	REVISED -
PLOT SCALE = 20.0000' / IN.		CHECKED -	REVISED -
PLOT DATE = 3/17/2010		DATE -	REVISED -

STATE OF ILLINOIS
DEPARTMENT OF TRANSPORTATION

DISTRICT DETAILS

SCALE: NA	SHEET NO. 3 OF 6 SHEETS	STA. TO STA.	F.A.P. RTE. 322	SECTION 058-20IRS	COUNTY MACON	TOTAL SHEETS 151	SHEET NO. 140
						CONTRACT NO. 74150	
ILLINOIS FED. AID PROJECT							