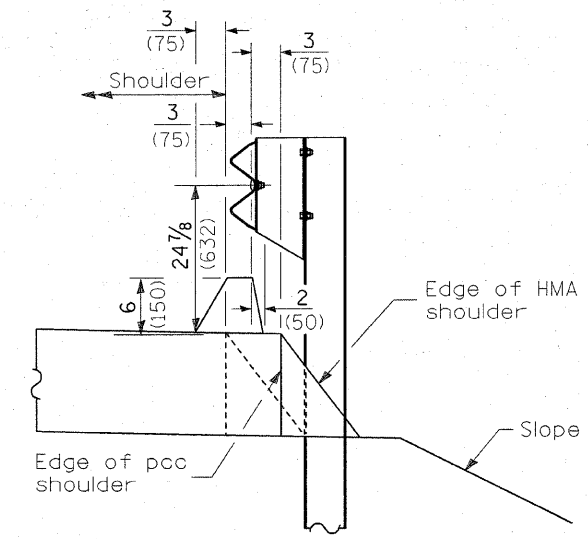


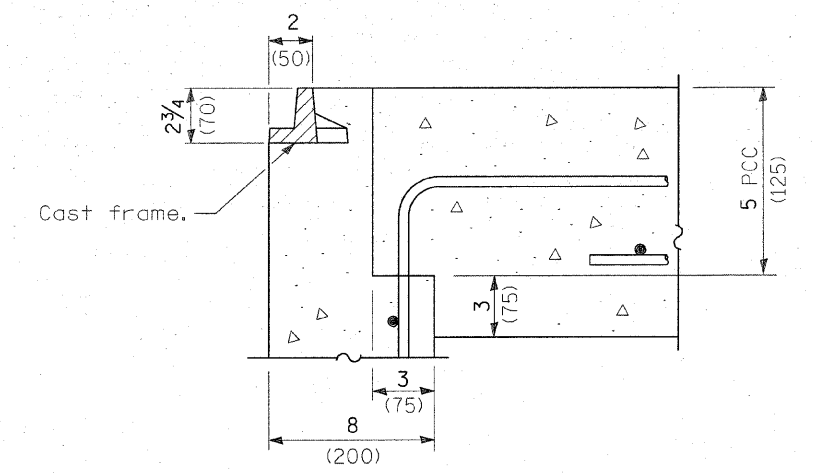
① Joints in prolongation with existing joints in pavements.

No. 6 (No. 19) Tie bars or expansion anchor ties at 24 (600) cts.

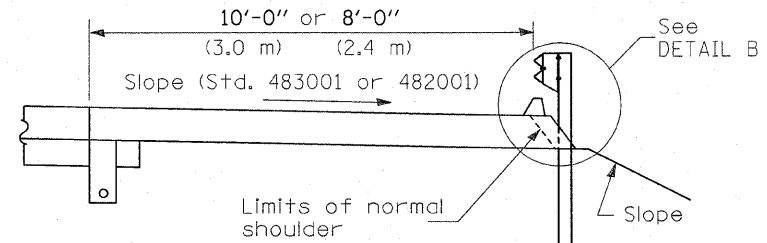
PLAN



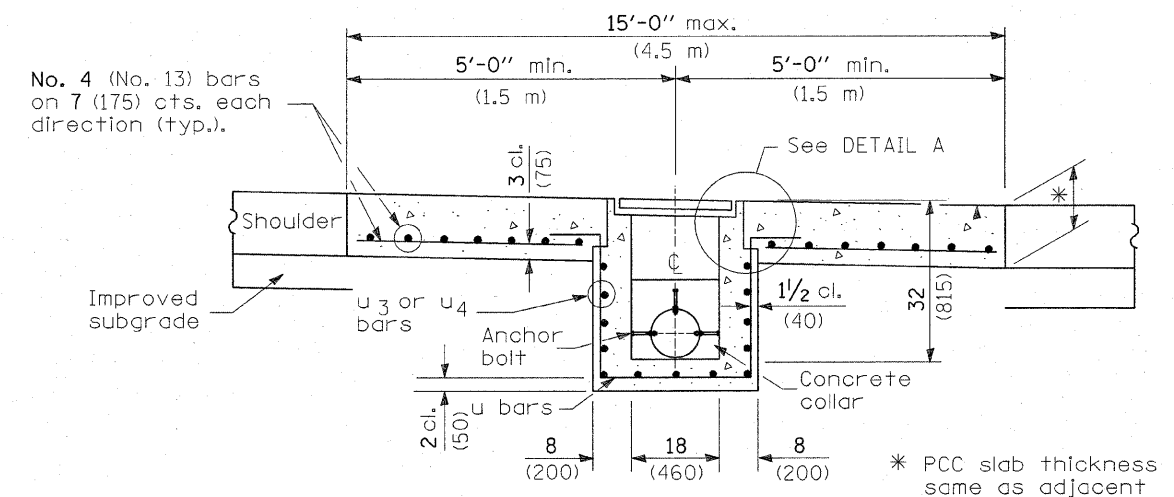
DETAIL B



DETAIL A



SECTION C-C



SEC. A-A

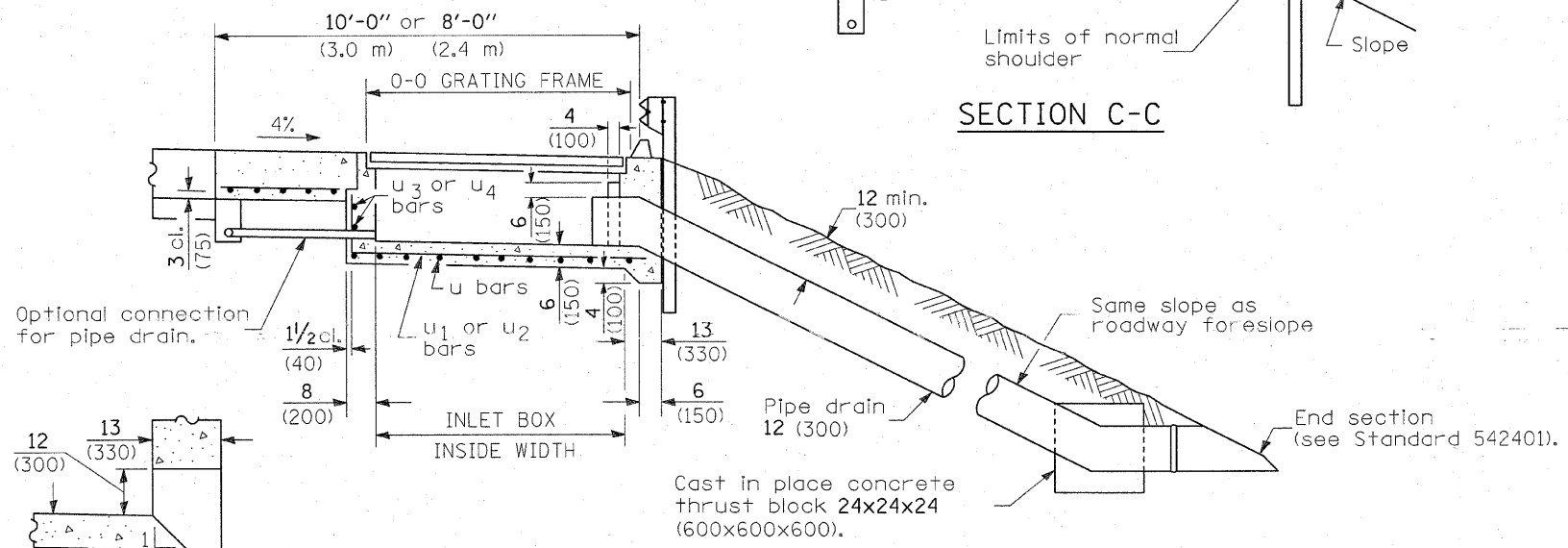
GENERAL NOTES

See Standard 420001 for joint details not shown.

All exposed edges of the inlet, except the upper perimeter, shall be beveled 3/4 (20).

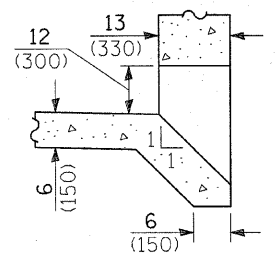
For placement of drainage elements on existing construction with existing rigid pavement, substitute expansion anchor ties for tie bars. For nonrigid pavements or monolithic construction of pcc slab and shoulder, omit tie bars.

All dimensions are in inches (millimeters) unless otherwise shown.

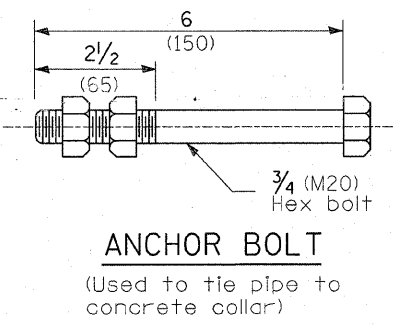


SEC. B-B

BOX OUTLET WHEN PRECAST



INLET TYPE	SHOULDER WIDTH	0-0 GRATING FRAME	INLET BOX INSIDE WIDTH	INLET BOX INSIDE LENGTH
Type C	5' TO 6' (1.5 m TO 1.8m))	4'-4" (1.325 m)	3'-11" (1.195 m)	18 (460)



ANCHOR BOLT  
(Used to tie pipe to concrete collar)

DETAIL  
INLETS, SPECIAL,  
TYPE C