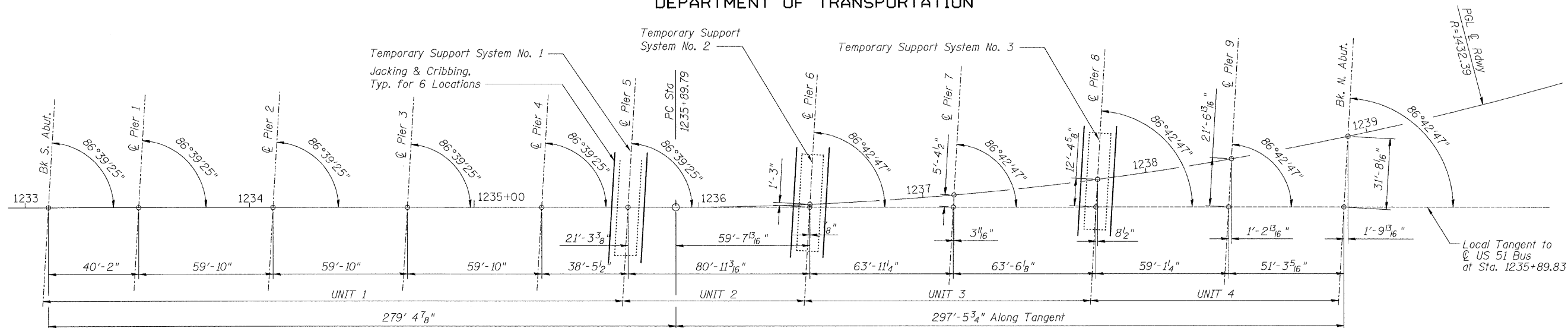
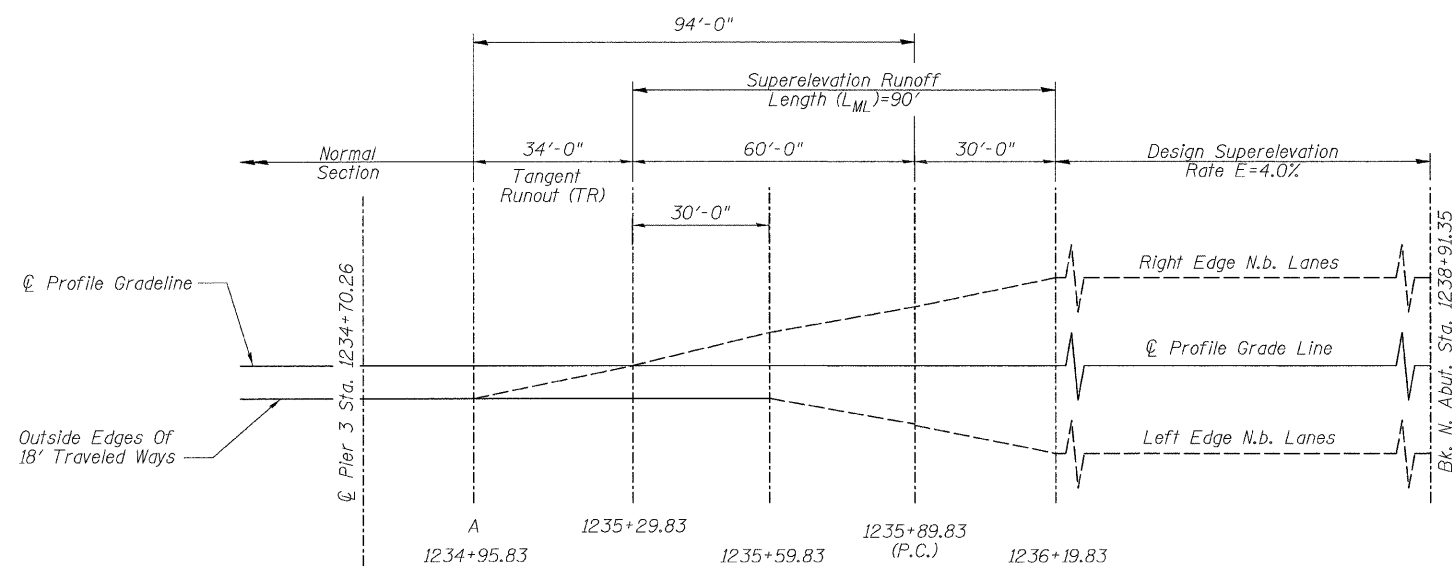


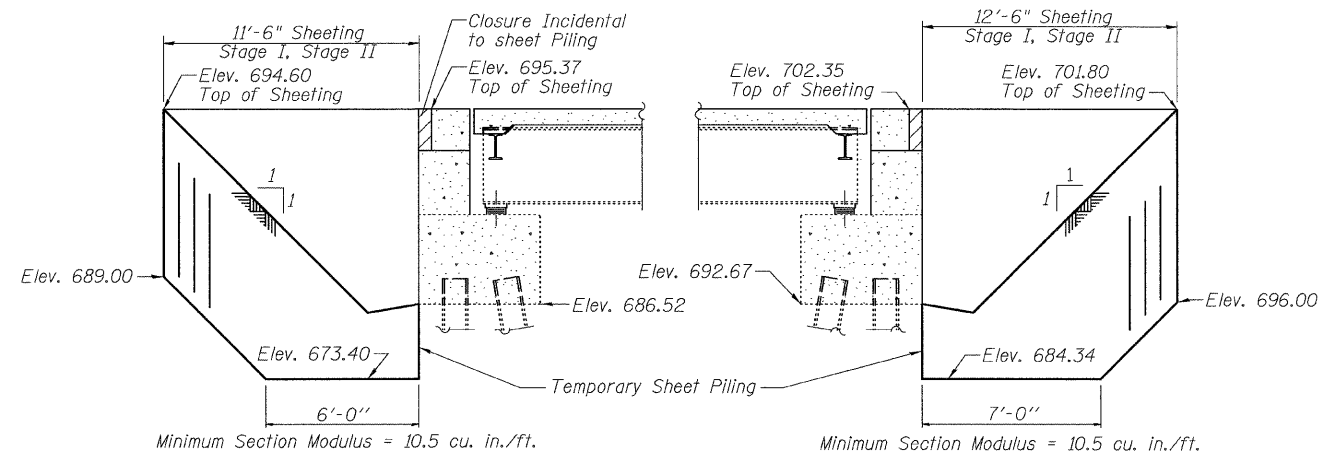
STATE OF ILLINOIS
DEPARTMENT OF TRANSPORTATION



OFFSET SKETCH
Skew angles from 1963 plans



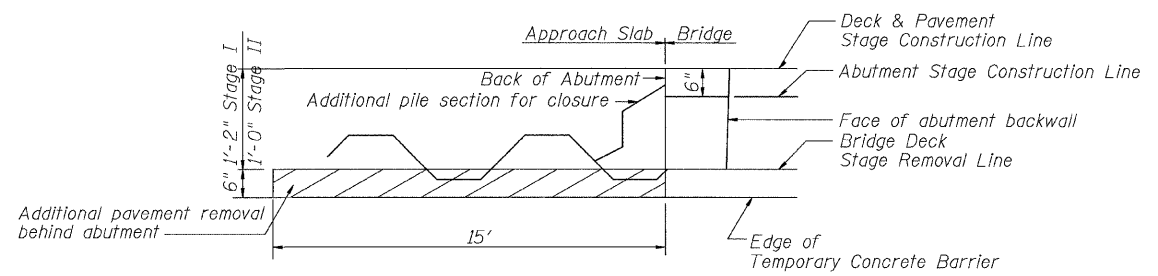
Curve to the Left			①	②	③
Station	Description	Dimensions	Left Edge N.B. Lanes	Centerline/PGL N.B. Lanes	Right Edge N.B. Lanes
1234+95.83	Normal Crown	TR=34	703.67	703.94	703.67
1235+29.83	Flat (Rt.)		704.71	704.98	704.98
1235+59.83	Reverse Crown (Rt.)		705.44	705.71	705.98
1235+89.83	2/3" S.E. (P.C.)		705.78	706.26	706.74
1236+19.83	Full S.E.	L=90	705.93	706.65	707.37



TEMPORARY SHEET PILING

BILL OF MATERIALS

Item	Unit	Total
Temporary Sheet Piling	Sq. Ft.	790



TEMPORARY SHEET PILING LAYOUT

**LAYOUT & SUPERELEVATION
TRANSITION DIAGRAMS
STRUCTURE NO. 058-0014**

Note:
See sheets 33 thru 36 of 49
for abutment backwall staging.
See sheets 21 of 49 for approach
slab staging.

DESIGNED MJB/MAJ
CHECKED JFS
DRAWN MSJ/MLB
CHECKED MJB

Foth
Foth Infrastructure & Environment, LLC
1610 Broadmead Drive
Champaign, IL 61821
Phone: 217-352-4169 Fax: 217-352-0085
Illinois Registration Number 164-004913

SHEET NO. 4 49 SHEETS	F.A.P. RTE.	SECTION	COUNTY	TOTAL SHEETS	SHEET NO.
	710	(50Z-VB)BR	MACON	79	30
			CONTRACT NO. 74215		
FED. ROAD DIST. NO.		ILLINOIS	FED. AID PROJECT		