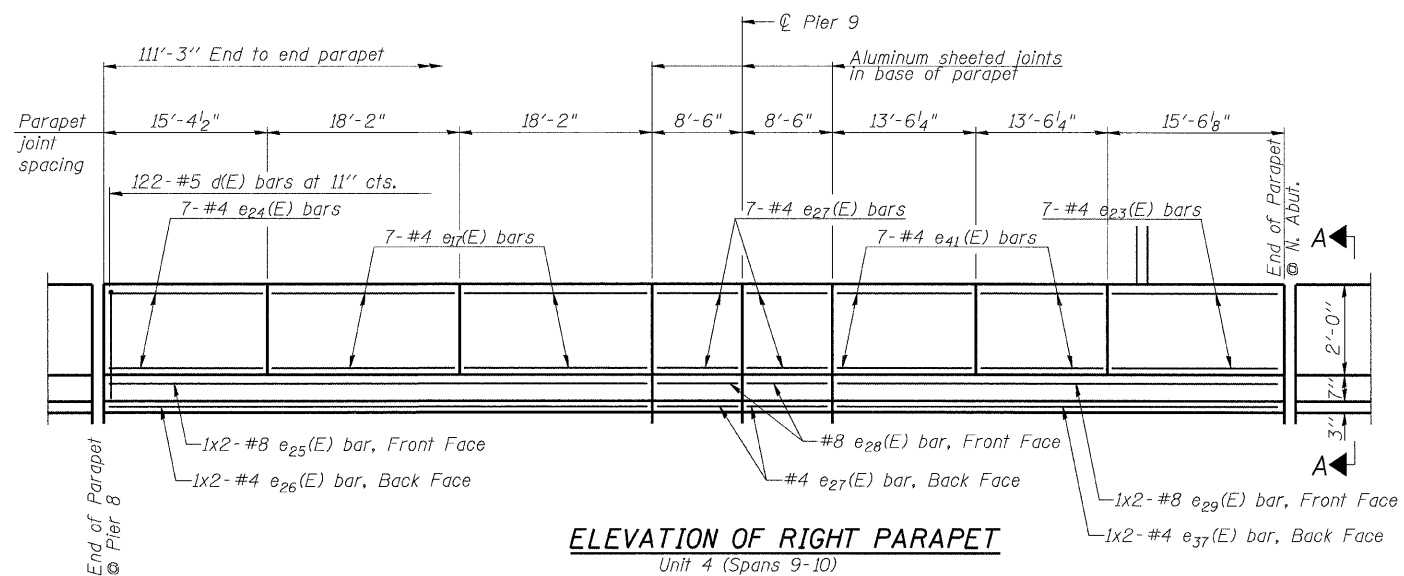
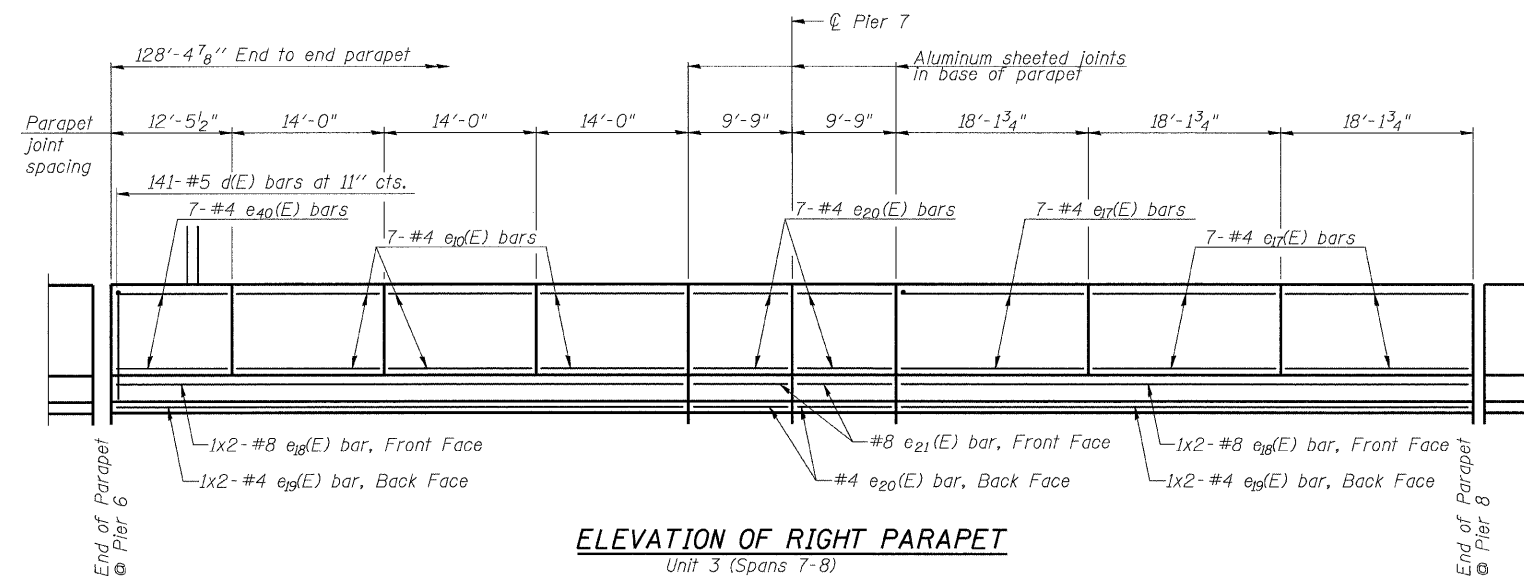
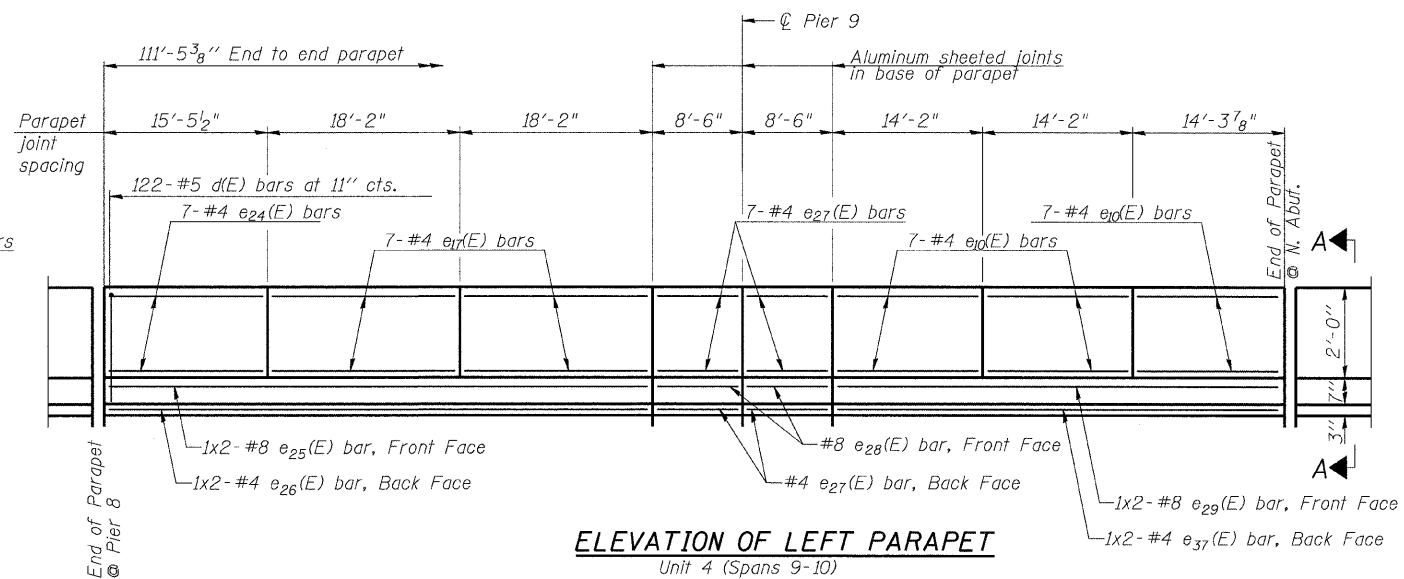
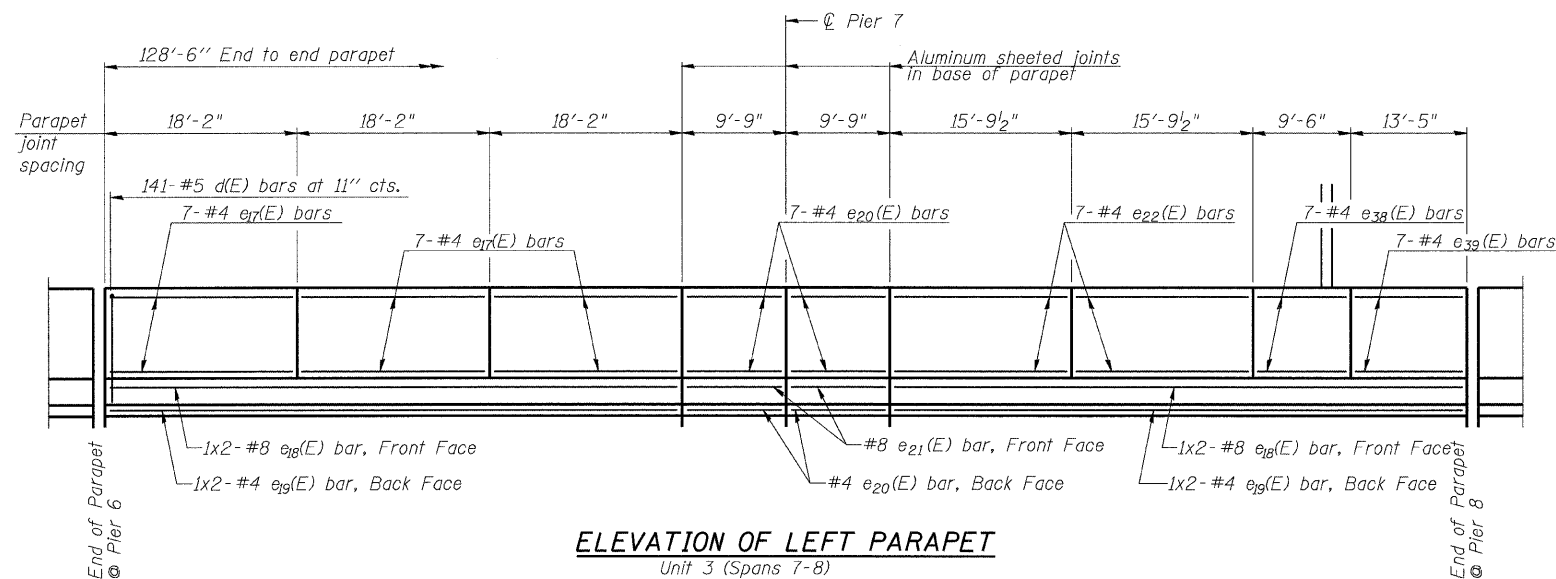


STATE OF ILLINOIS
DEPARTMENT OF TRANSPORTATION



MINIMUM BAR LAP

(Parapet)
#4 bar = 1'-4"
#8 bar = 3'-5"

DESIGNED - MJB/MAJ
CHECKED - JFS
DRAWN - MSJ/MLB
CHECKED - MJB

SUPERSTRUCTURE DETAILS
STRUCTURE NO. 058-0014

Foth
Foth Infrastructure & Environment, LLC
1610 Broadmoor Drive
Champaign, IL 61821
Phone: 217-352-4169 Fax: 217-352-0085
Illinois Registration Number 184.004613

SHEET NO. 19 49 SHEETS	F.A. RTE. 710	SECTION (50Z-VB)BR	COUNTY MACON	TOTAL SHEETS 79	SHEET NO. 45
	CONTRACT NO. 74215				
FED. ROAD DIST. NO.		ILLINOIS FED. AID PROJECT			