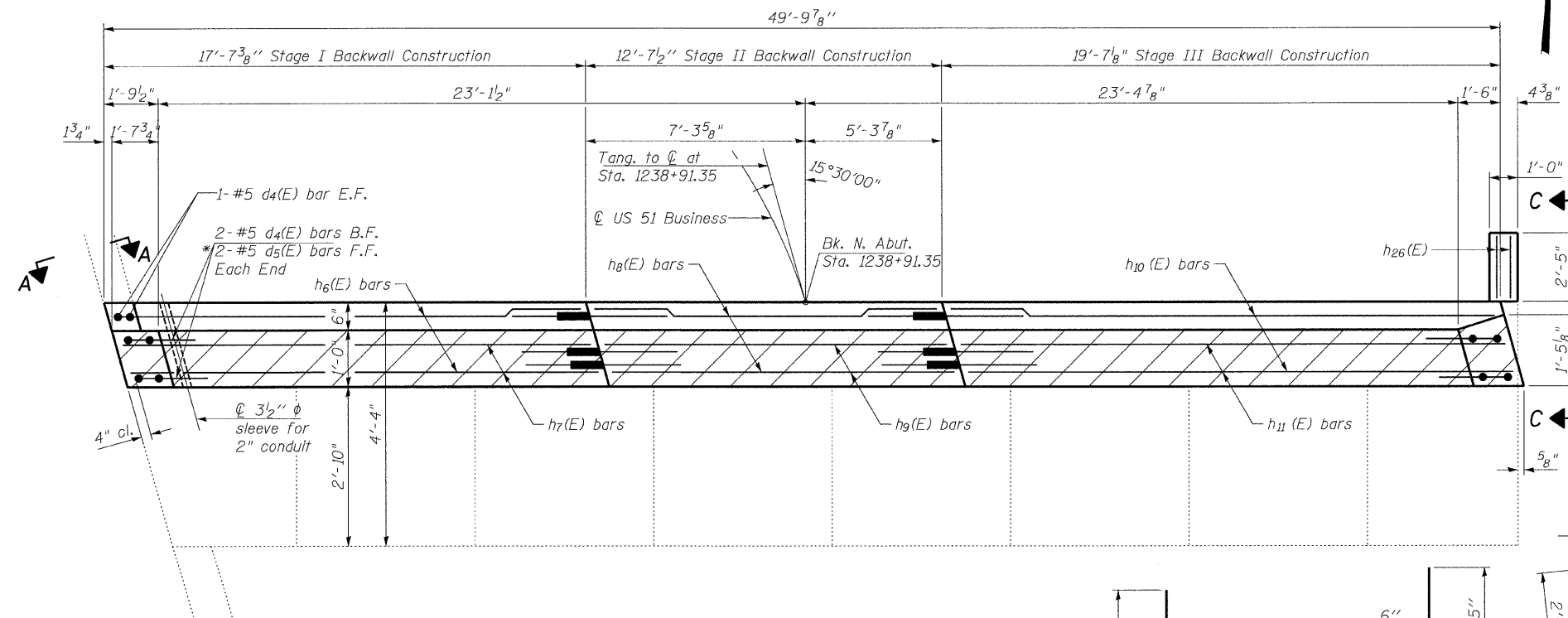


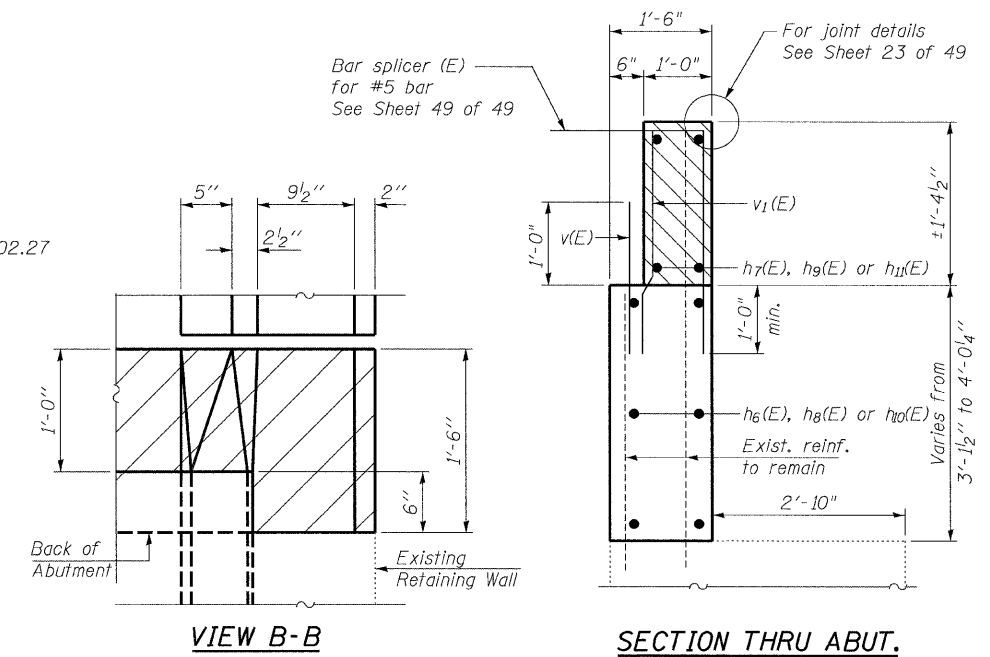
**ELEVATION**  
(Looking North)

E.F. = Each Face



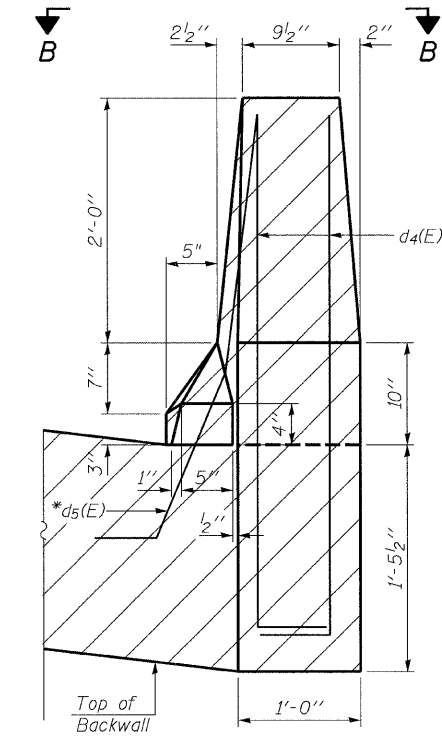
**TOP VIEW**

\*Bend d5(E) bars to fit



**VIEW B-B**

**SECTION THRU ABUT.**

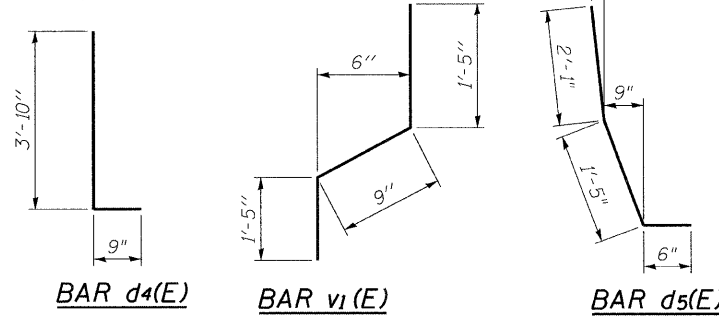


**VIEW A-A**

**Note:**  
Hatched area to be poured after superstructure falsework has been removed. Quantity included with Concrete Superstructure. Concrete Sealer shall be applied to the exposed surfaces of the backwall, bridge seat, front face of pile cap and exposed ends of cap and cap support at west end. Cost of sleeves in backwall is included in Concrete Structures. See Sheet 37 of 49 for View C-C.

**BILL OF MATERIAL**

Bar	No.	Size	Length	Shape
d4(E)	6	#5	4'-7"	
d5(E)	4	#5	4'-0"	
h6(E)	6	#5	17'-2"	
h7(E)	4	#6	17'-2"	
h8(E)	6	#5	12'-3"	
h9(E)	4	#6	12'-3"	
h10(E)	6	#5	19'-3"	
h11(E)	4	#6	19'-3"	
h26(E)	2	#5	2'-1"	
v(E)	50	#5	2'-0"	
v1(E)	50	#4	3'-7"	
Structure Excavation			Cu. Yd.	101
Concrete Structures			Cu. Yd.	10.4
Reinforcement Bars, Epoxy Coated			Pound	870
Bar Splicers			Each	70
Concrete Sealer			Sq. Ft.	275



**Coombe-Bloxdorf P.C.**  
-CIVIL ENGINEERS-  
-STRUCTURAL ENGINEERS-  
-LAND SURVEYORS-  
Design Firm License No. 184-002703

PROJECT NO. 07086  
SCALE / / /  
DATE / / /  
DESIGN BY / / /  
DRAWN BY CFC  
CHECKED BY GB/CME/MCB

**NORTH ABUTMENT DETAILS**  
**STRUCTURE NO. 058-0014**

SHEET NO. 36 49 SHEETS	F.A.P. RTE.	SECTION	COUNTY	TOTAL SHEETS	SHEET NO.
	710	(50Z-VB)BR	MACON	79	62
			CONTRACT NO. 74215		
FED. ROAD DIST. NO. 7 ILLINOIS FED. AID PROJECT					