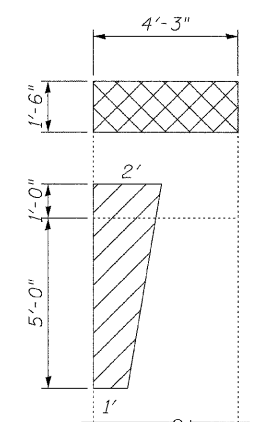
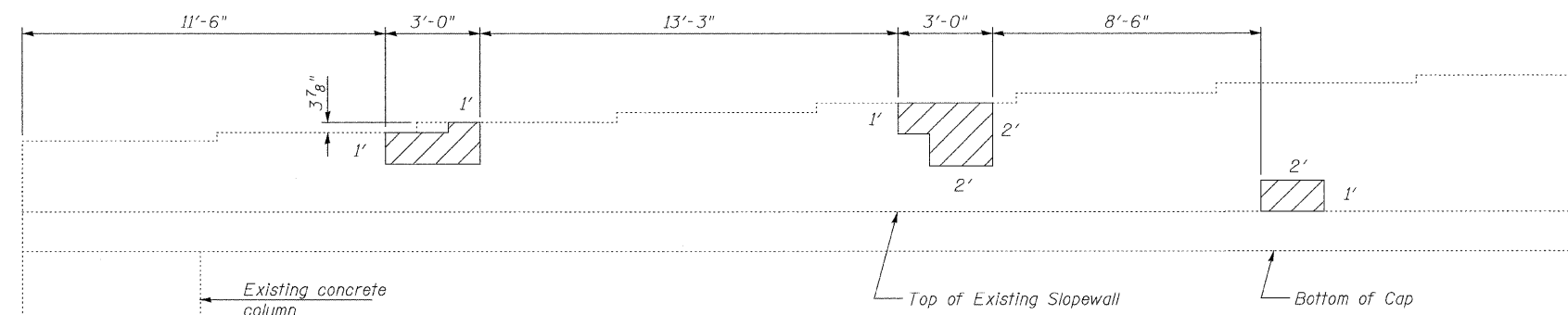


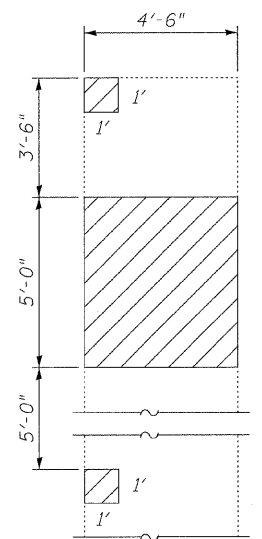
SOUTH ABUTMENT CAP ELEVATION
(Looking South)



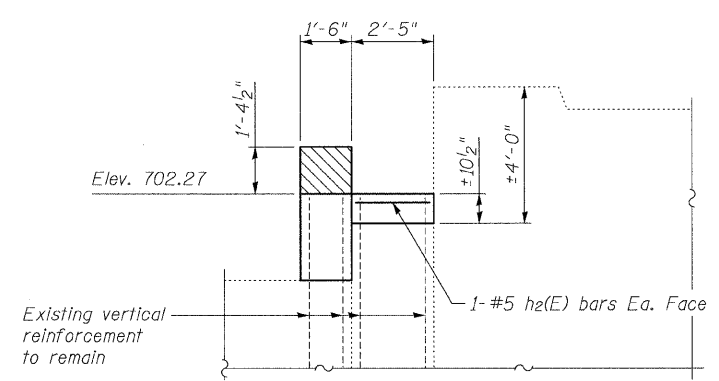
WEST END VIEW



NORTH ABUTMENT CAP ELEVATION
(Looking North)



WEST END VIEW



VIEW C-C

Note:
Dimensions shown are along front face of abutment.
See Sheet 36 of 49 for location of View C-C.

BILL OF MATERIAL

Structural Repair of Concrete (Depth Equal to or Less Than 5 In.)	Sq. Ft.	70
Structural Repair of Concrete (Depth Greater Than 5 In.)	Sq. Ft.	8

LEGEND

- Denotes Structural Repair of Concrete (Depth Equal to or Less Than 5")
- Denotes Structural Repair of Concrete (Depth Greater Than 5")

ABUTMENT REPAIR DETAILS
STRUCTURE NO. 058-0014

SHEET NO. 37 49 SHEETS	F.A.P. RTE. 710	SECTION (50Z-VB)BR	COUNTY MACON	TOTAL SHEETS 79	SHEET NO. 63
	CONTRACT NO. 74215				
FED. ROAD DIST. NO. 7 ILLINOIS FED. AID PROJECT					

CB Coombe-Bloxdorf P.C.
-CIVIL ENGINEERS-
-STRUCTURAL ENGINEERS-
-LAND SURVEYORS-
Design Firm License No. 184-002703

PROJECT NO.	07086
SCALE	
DATE	/ /
DESIGN BY	
DRAWN BY	TFG/CFC
CHECKED BY	GB/MCB