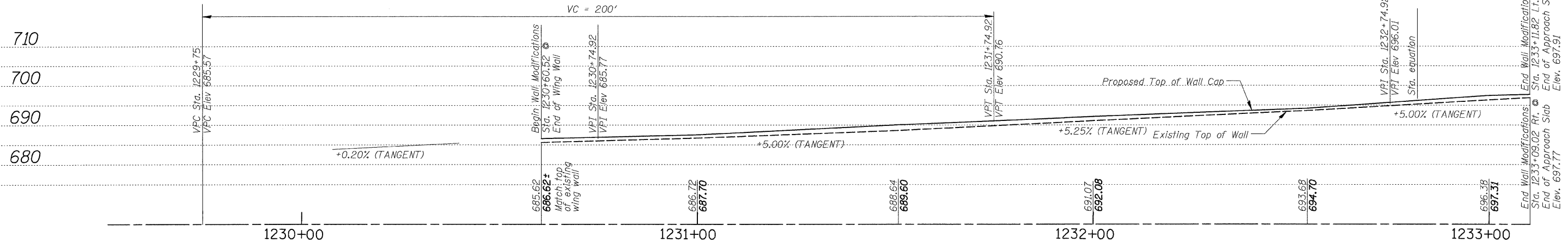


STATE OF ILLINOIS
DEPARTMENT OF TRANSPORTATION



RETAINING WALL #1 (RT) & #2 (LT)

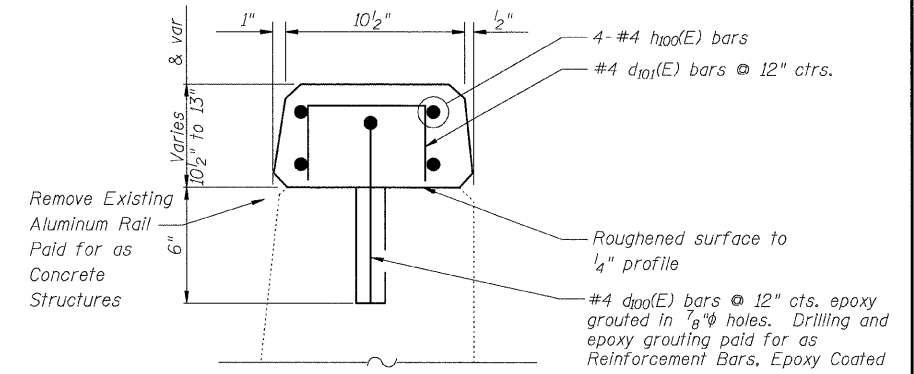
Sta. Equa: Sta. 1232+81.92 (BK) (2005 IDOT)
Sta. 1232+80.92 (AH) (1963 Plans)

Match locations of wall joints

Install Joints Detail similar to Parapet Joint Detail on Sheet 17.

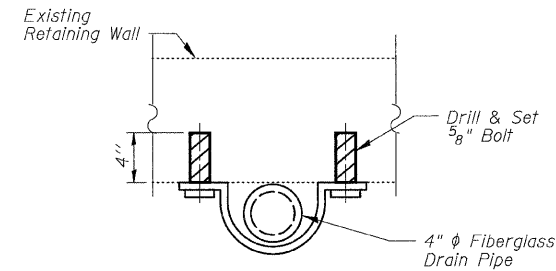
MINIMUM BAR LAP

#4 bar = 1'-8"

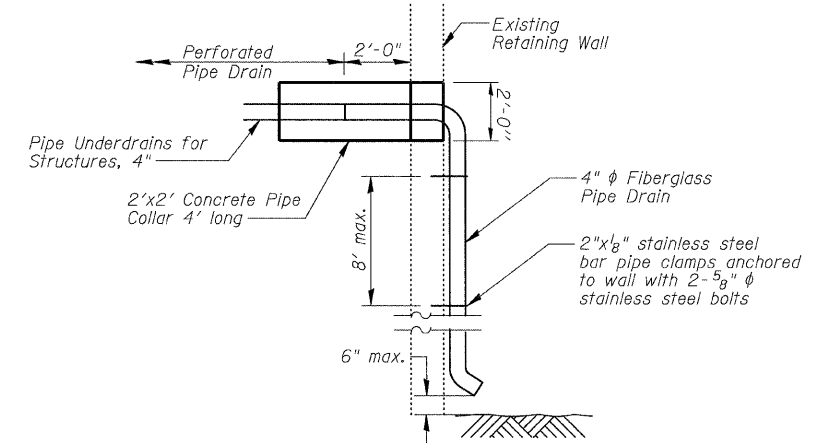


RETAINING WALL MODIFICATION DETAIL

(On Full Length of NW, SW, & SE Retaining Walls)
Sta. 1230+60.52 to Sta. 1233+11.82 LT.
Sta. 1230+60.52 to Sta. 1233+09.02 RT
Sta. 1238+97.94 to Sta. 1240+24.58 LT
Sta. 1240+28.67 to Sta. 1240+36.00 LT (Similar)

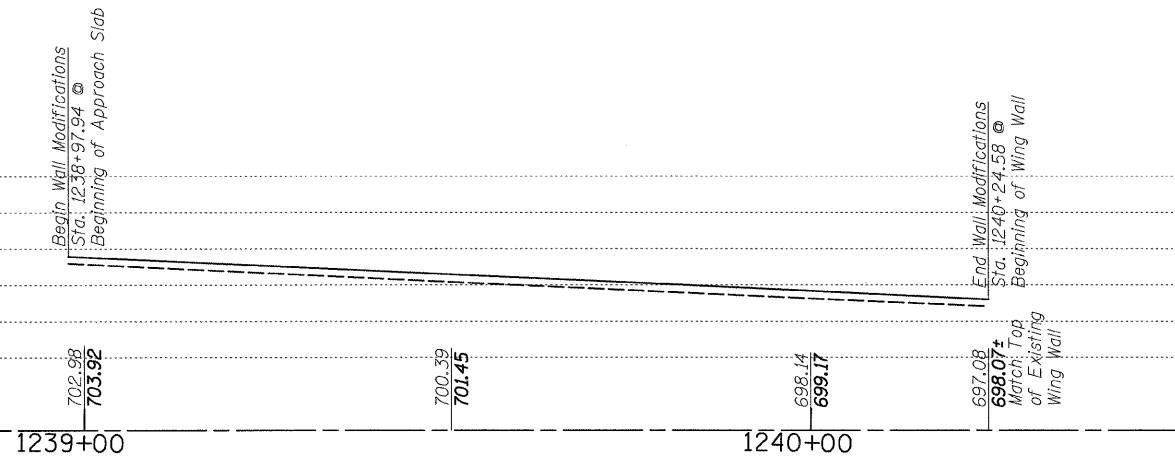


STAINLESS STEEL BAR PIPE CLAMP

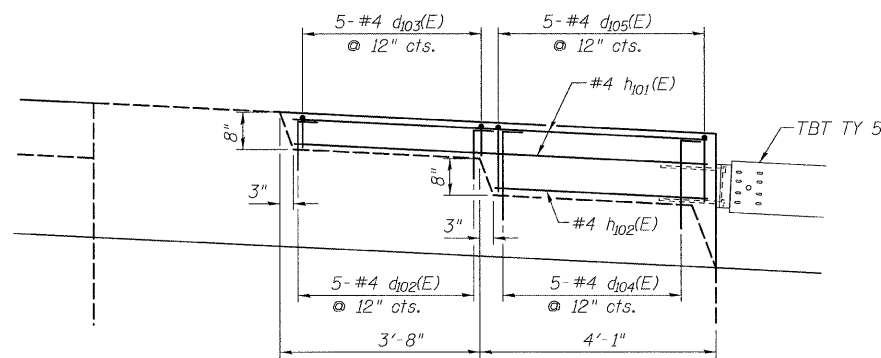


PIPE DRAIN DOWNSPOUT

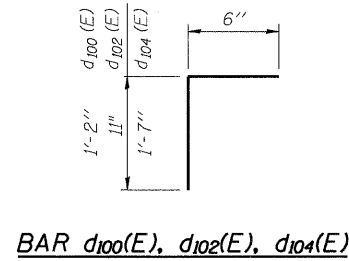
All work shown shall be paid for as Pipe Underdrains for Structures, 4"



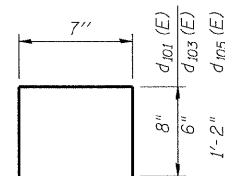
RETAINING WALL #3 (LT)



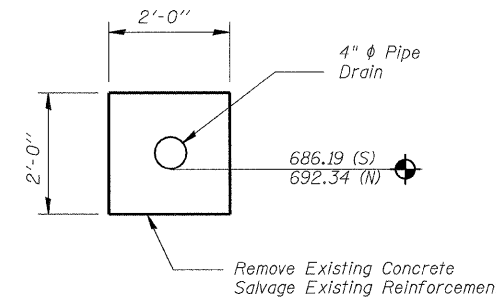
**RETAINING WALL MODIFICATION
STA. 1240+28.67 TO STA. 1240+36.00 LT**



BAR d100(E), d102(E), d104(E)



BAR d101(E), d103(E), d105(E)



ABUTMENT DRAIN OUTLET

**RETAINING WALL CAP
ELEVATIONS & DETAILS
STRUCTURE NO. 058-0014**

DESIGNED - MJB/MAJ
CHECKED - JFS
DRAWN - MSJ/MLB
CHECKED - MJB

Foth
Foth Infrastructure & Environment, LLC
1610 Broadmoor Drive
Champaign, IL 61821
Phone: 217-352-4169 Fax: 217-352-0085
Illinois Registration Number 184.004913

SHEET NO. 45 49 SHEETS	F.A. RTE.	SECTION	COUNTY	TOTAL SHEETS	SHEET NO.
	710	(50Z-VB)BR	MACON	79	71
FED. ROAD DIST. NO.			ILLINOIS FED. AID PROJECT		
CONTRACT NO. 74215					