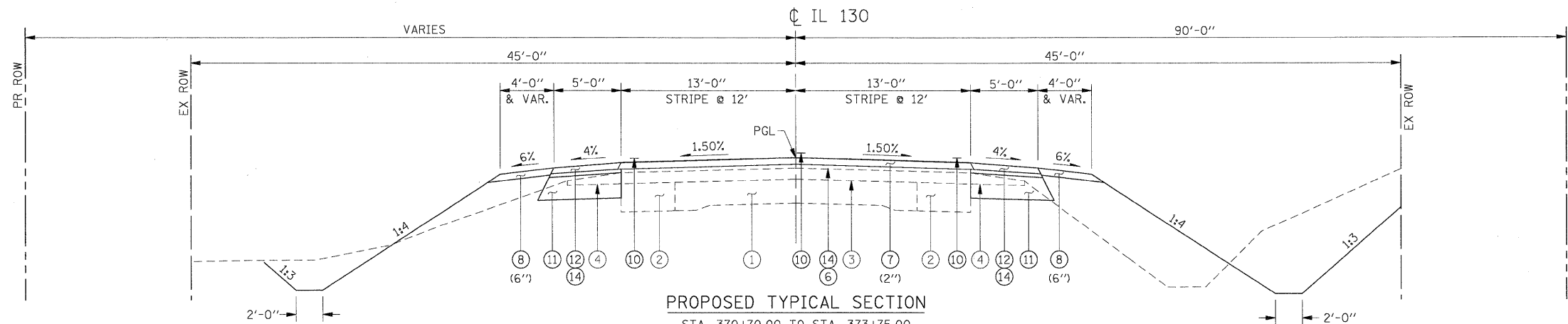
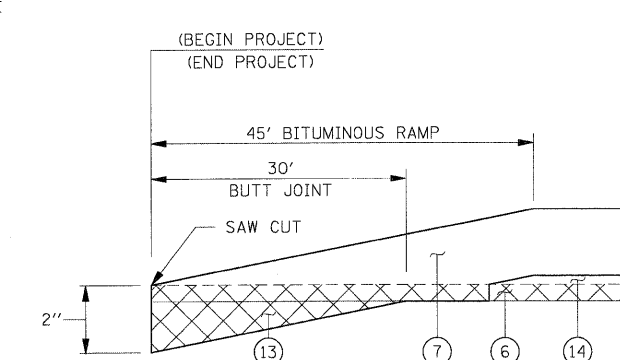


EXISTING TYPICAL SECTION
 STA. 370+40.00 TO STA. 380+10
 EX BRIDGE OMISSION - STA. 374+72.84 TO STA. 376+35.15

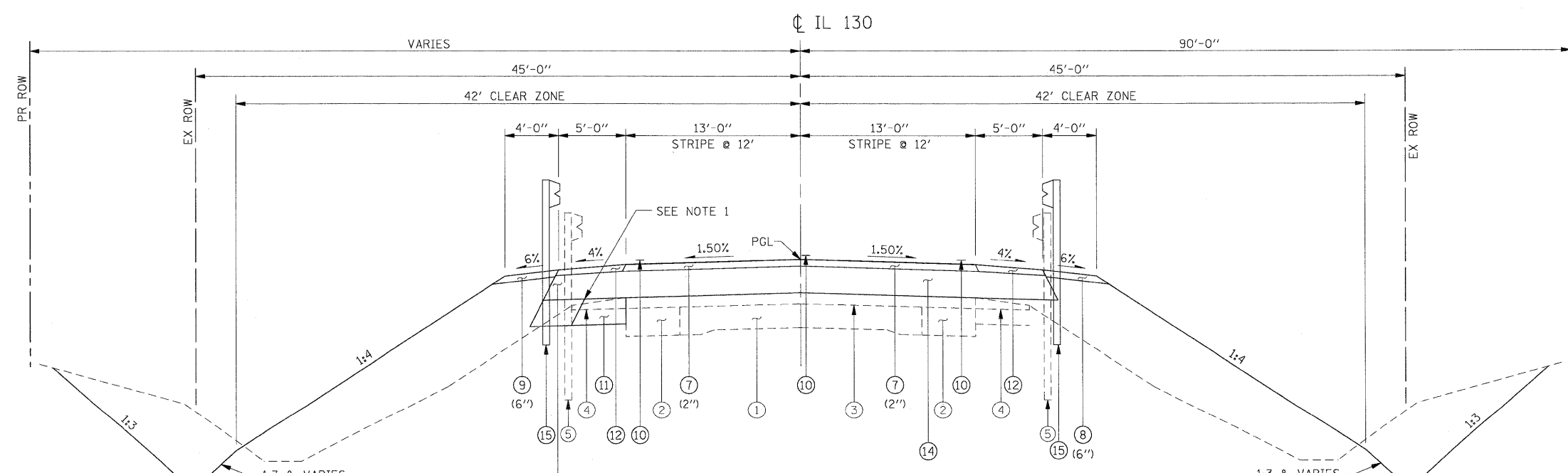
- LEGEND**
- ① EX 9-6-9 PAVEMENT
 - ② EX BASE COURSE WIDENING, 9"
 - ③ EX BITUMINOUS RESURFACING
 - ④ EX AGGREGATE SHOULDERS
 - *⑤ EX GUARDRAIL
 - ⑥ HMA SURFACE REMOVAL, VAR. DEPTH
 - ⑦ HOT-MIX ASPHALT SURFACE COURSE MIX C, N70
 - ⑧ AGGREGATE SHOULDERS, TYPE B
 - ⑨ AGGREGATE SHOULDERS, TYPE B, SPECIAL
 - ⑩ PAINT PAVEMENT MARKING - LINE 4"
 - ⑪ BASE COURSE WIDENING 8"
 - ⑫ HOT-MIX ASPHALT SHOULDERS, 2"
 - ⑬ HOT-MIX ASPHALT SURFACE REMOVAL- BUTT JOINT
 - ⑭ HMA BINDER COURSE, IL 19.0 N70
 - *⑮ GUARDRAIL



PROPOSED TYPICAL SECTION
 STA. 370+70.00 TO STA. 373+75.00
 STA. 377+42.00 TO STA. 379+80.00



BUTT - JOINT DETAIL



PROPOSED TYPICAL SECTION
 STA. 373+75.00 TO STA. 374+10.00
 EX BRIDGE OMISSION - STA. 374+62.65 TO STA. 376+48.35
 STA. 377+00.00 TO STA. 377+42.00

NOTE:

1. WHERE EXISTING GUARDRAIL IS WITHIN WIDENING LIMITS, CONSTRUCT WIDENING TO EXISTING GUARDRAIL PRIOR TO STAGE 1 AND CONSTRUCT THE REMAINDER IN STAGE 2, OTHERWISE CONSTRUCT ALL WIDENING ON LT IN STAGE 1.

* SEE "PLAN SHEETS" FOR GUARDRAIL LOCATIONS.

FILE NAME =	USER NAME = IE Consultants	DESIGNED -	REVISED -	STATE OF ILLINOIS DEPARTMENT OF TRANSPORTATION	TYPICAL SECTIONS				F.A.P. RTE.	SECTION	COUNTY	TOTAL SHEETS	SHEET NO.		
G:\S0026-7\CADD Sheets\0774236-shr-Typel.dgn		DRAWN -	REVISED -		SCALE:	SHEET NO.	OF	SHEETS	STA.	TO STA.	116	(112BR1)B	CUMBERLAND	72	9
		CHECKED -	REVISED -											CONTRACT NO. 74236	
		DATE -	REVISED -											FED. ROAD DIST. NO. ILLINOIS FED. AID PROJECT	