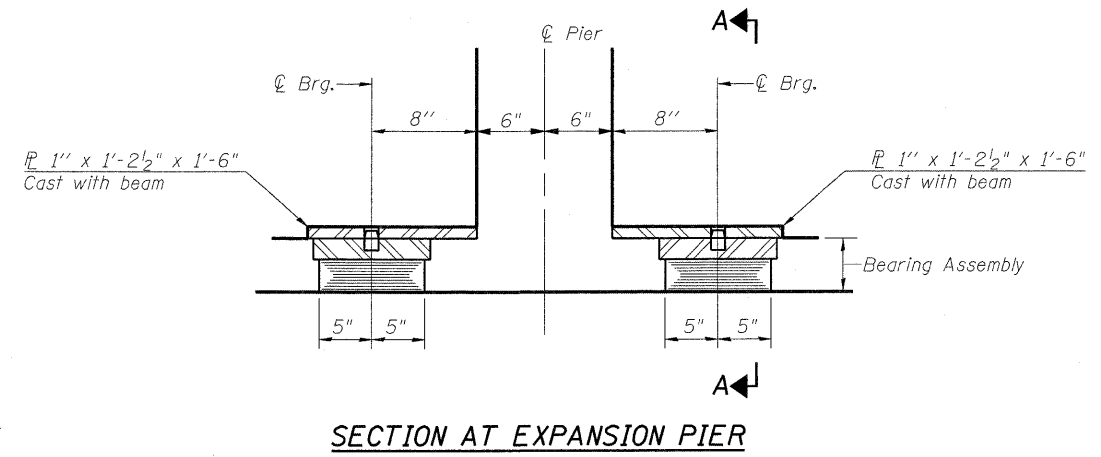
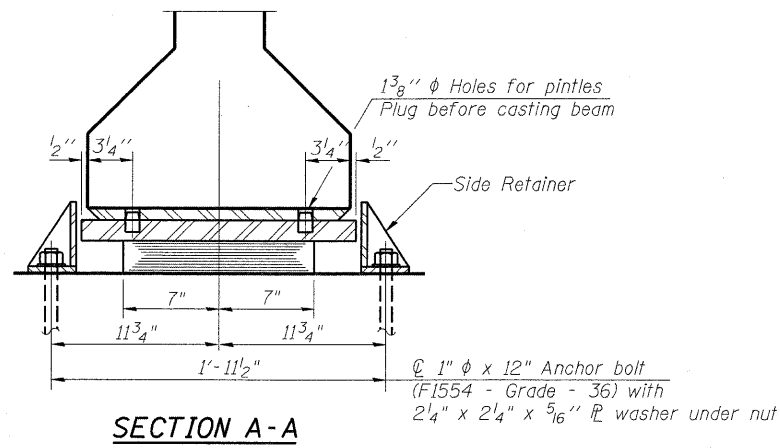
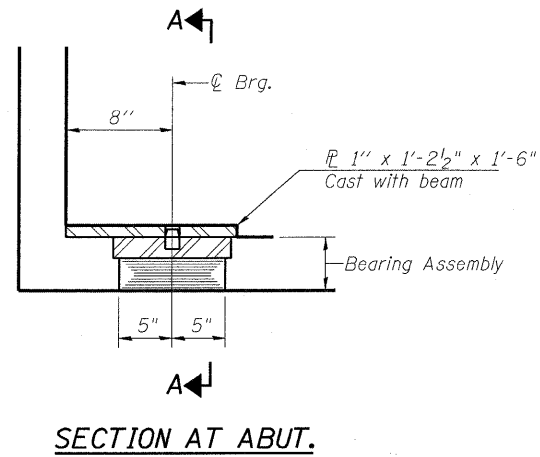
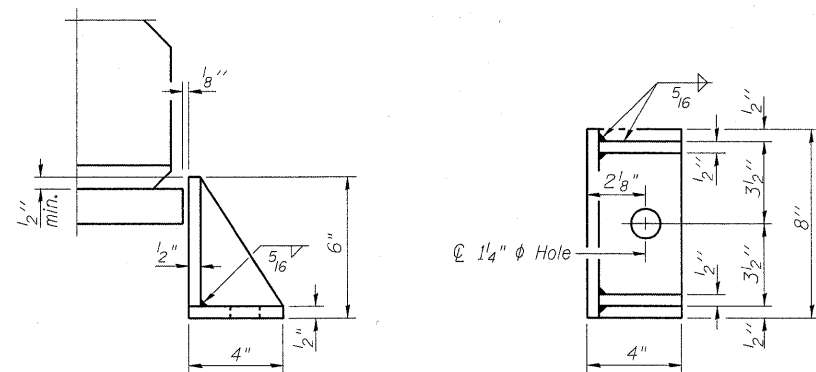
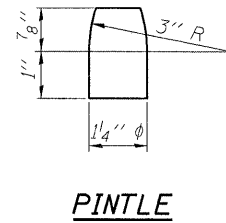
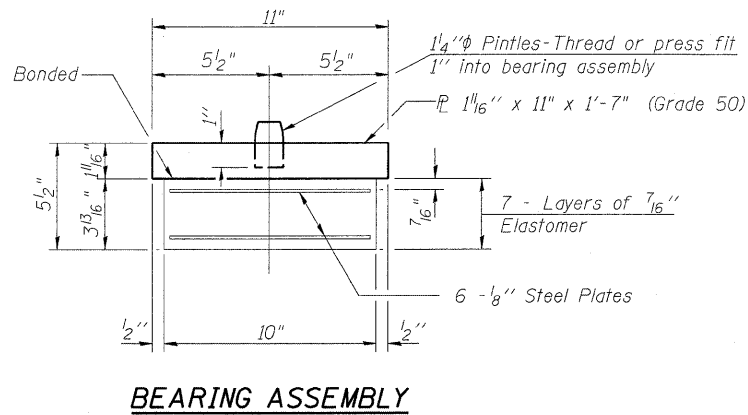


STATE OF ILLINOIS
DEPARTMENT OF TRANSPORTATION



TYPE I ELASTOMERIC EXP. BRG.



SIDE RETAINER
Equivalent rolled angle with stiffeners
will be allowed in lieu of welded plates.

Notes:
Anchor bolts shall be ASTM F1554 all-thread (or an Engineer-approved alternate material) of the grade(s) and diameter(s) specified. ASTM A307 Grade C anchor bolts may be used in lieu of ASTM F1554 Grade 36 (Fy=36ksi). The corresponding specified grade of AASHTO M314 anchor bolts may be used in lieu of ASTM F1554.
Anchor bolts for side retainers may be cast in place or installed in holes drilled after members are in place.
Drilled and set anchor bolts shall be installed according to Article 521.06 of the Standard Specifications.
Side retainers and other steel members required for the bearing assembly shall be included in the cost of Elastomeric Bearing Assembly, Type I.
See sheet 19 & 21 of 33 for additional details of plate cast with beam.
All embedded and separate bearing plates, side retainers, anchor bolts, nuts, washers and pintles shall be galvanized according to AASHTO M111 or M232 (as applicable).

BILL OF MATERIAL

Item	Unit	Total
Elastomeric Bearing Assembly, Type I	Each	24
* Anchor Bolts, 1"	Each	52

* Includes 4 Anchor Bolts and Side Retainers located at outside beams, Pier 1.
See sheet 13 of 33.

DESIGNED	SCD
CHECKED	DRB
DRAWN	THW
CHECKED	SCD

ie consultants
IE CONSULTANTS, INC
6420 SOUTH SIXTH STREET
SPRINGFIELD, ILLINOIS 62712
TEL. (217) 529-8027
FAX (217) 529-4543
WWW.IE-CONSULTANTS.COM

BEARING DETAILS
S.N. 018-0064

SHEET NO.	F.A.P. RTE.	SECTION	COUNTY	TOTAL SHEETS	SHEET NO.
22 OF 33 SHEETS	116	(112BR1)B	CUMBERLAND	72	53
CONTRACT NO. 74236					