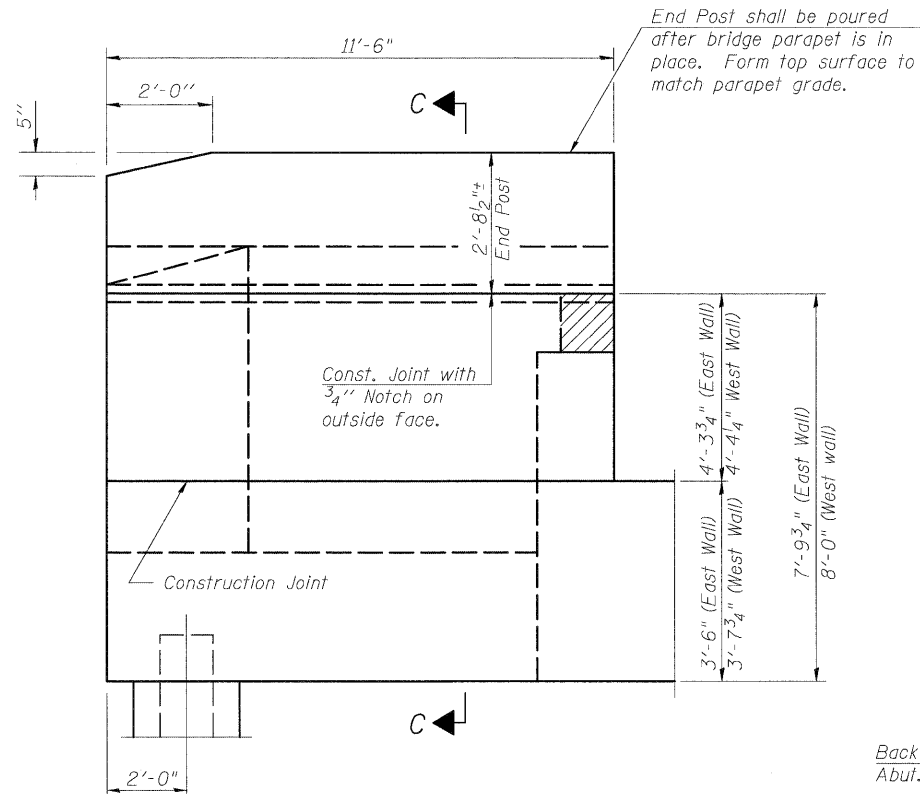
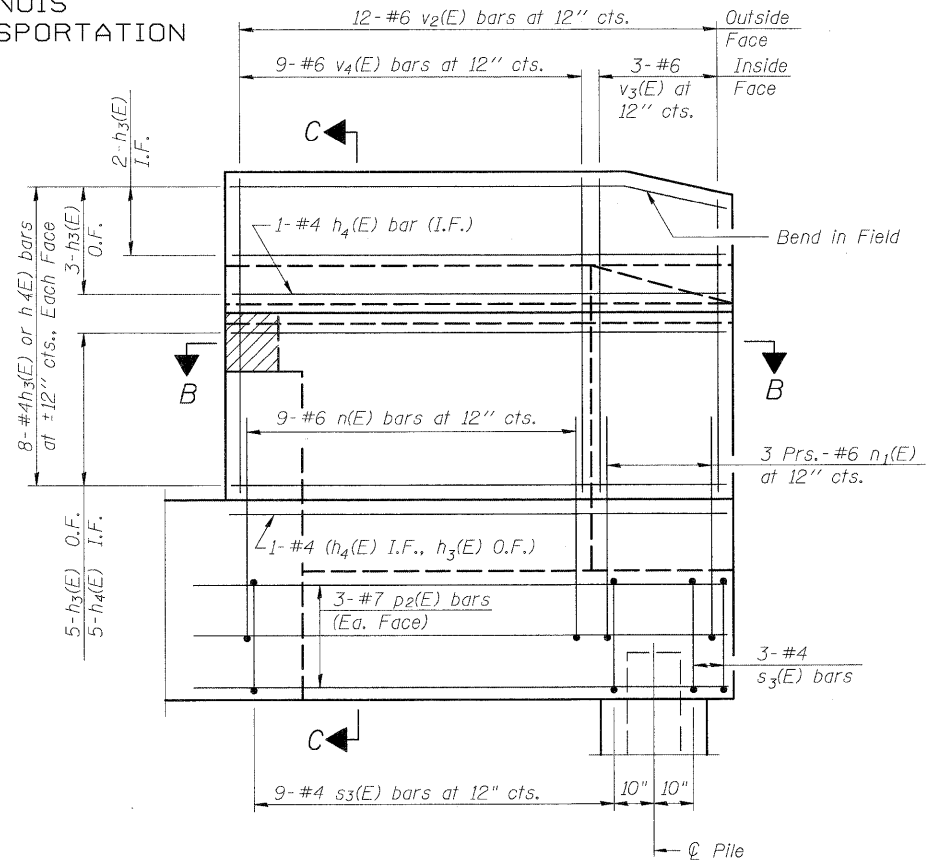


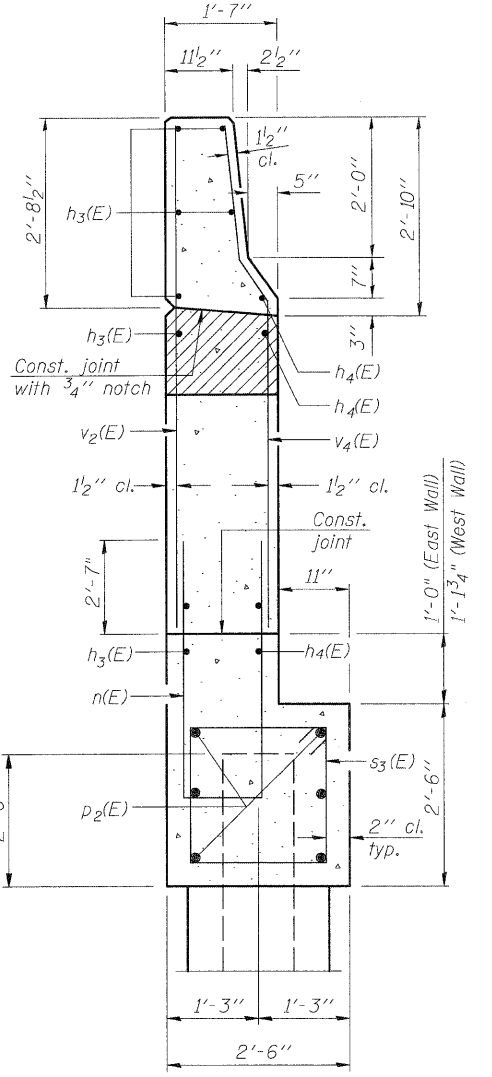
STATE OF ILLINOIS
DEPARTMENT OF TRANSPORTATION



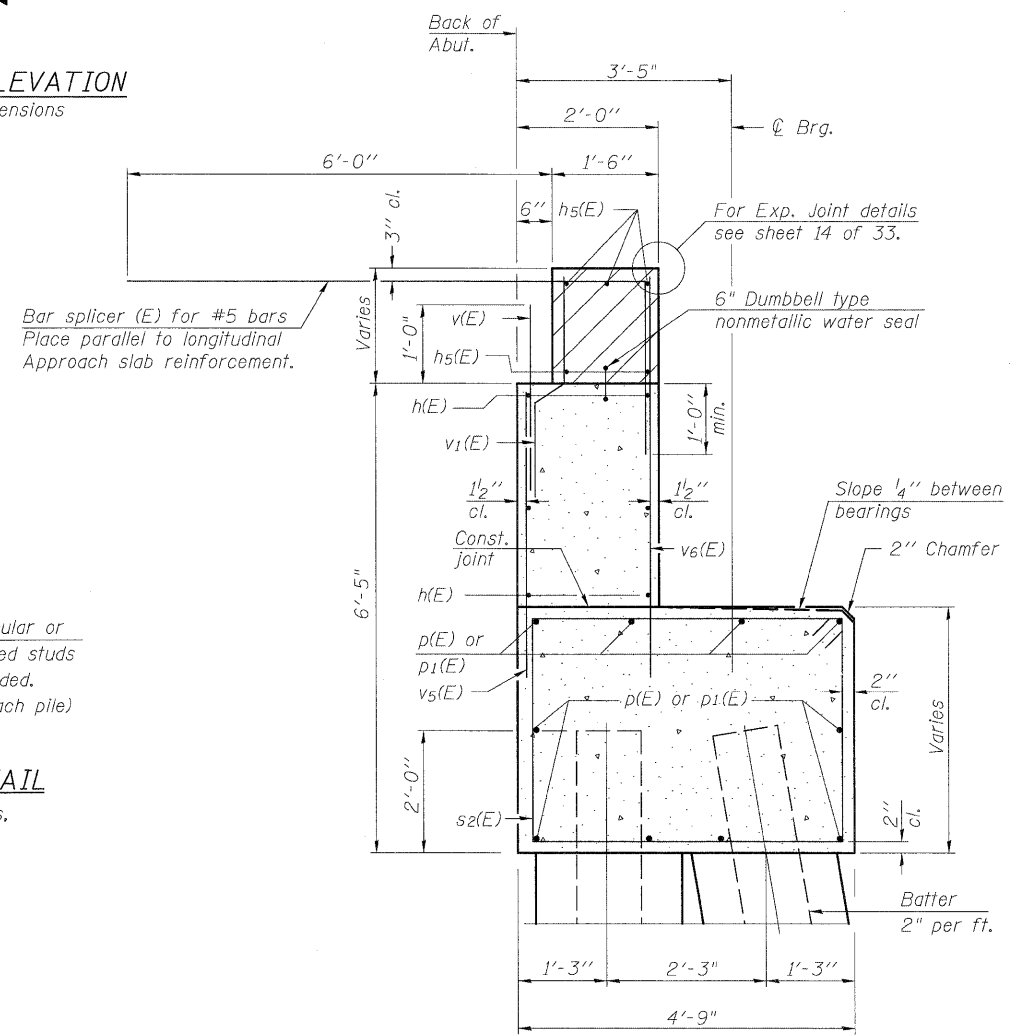
WING WALL ELEVATION
Showing Dimensions



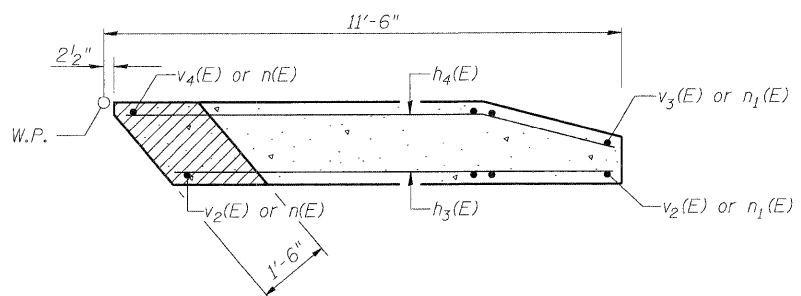
WING WALL ELEVATION
Showing Reinforcement



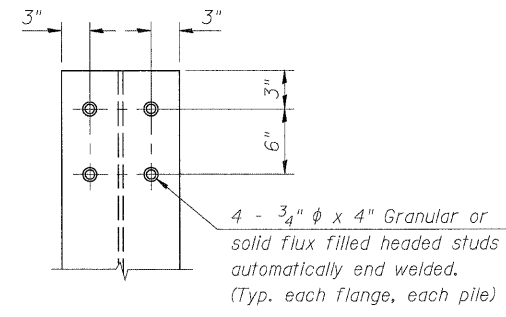
SECTION C-C



SEC. THRU ABUT.



SECTION B-B



STUD SHEAR CONNECTOR DETAIL
Typical at all piles in abutment and piers.

Notes:
Hatched area to be poured after superstructure false work has been removed. Quantity of concrete included with Concrete Superstructure.
Space reinforcement in cap to miss anchor bolts.
Pour steps monolithically with cap.
Quantity of concrete in end post included with Concrete Superstructure on sheet 12 of 33.
For Concrete Encasement details, see sheet 29 of 33.

DESIGNED	SCD
CHECKED	DRB
DRAWN	THW
CHECKED	SCD

ie CONSULTANTS, INC.
6420 SOUTH SIXTH STREET
SPRINGFIELD, ILLINOIS 62712
TEL. (217) 529-8027
FAX (217) 529-4543
WWW.IE-CONSULTANTS.COM

A-1-D 10-1-08

NORTH ABUTMENT DETAILS
S.N. 018-0064

SHEET NO. 24 OF 33 SHEETS	F.A.P. RTE.	SECTION	COUNTY	TOTAL SHEETS	SHEET NO.
	116	(112BR1)B	CUMBERLAND	72	55
CONTRACT NO. 74236					
FED. ROAD DIST. NO. ILLINOIS FED. AID PROJECT					