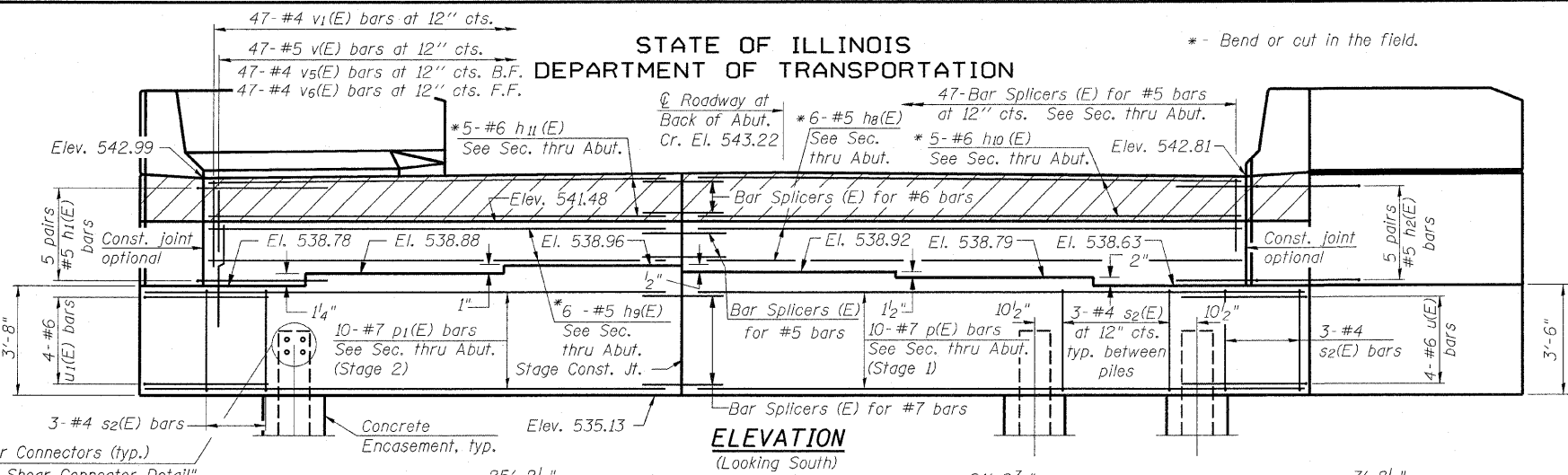
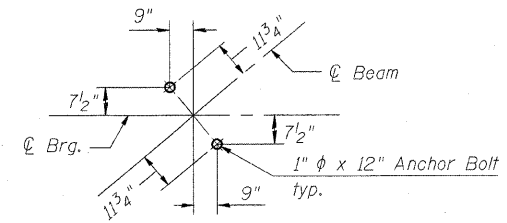


STATE OF ILLINOIS
DEPARTMENT OF TRANSPORTATION

* - Bend or cut in the field.



ELEVATION
(Looking South)



ANCHOR BOLT LAYOUT DETAIL
(Typical all bearings)

**ABUTMENT
BILL OF MATERIAL**

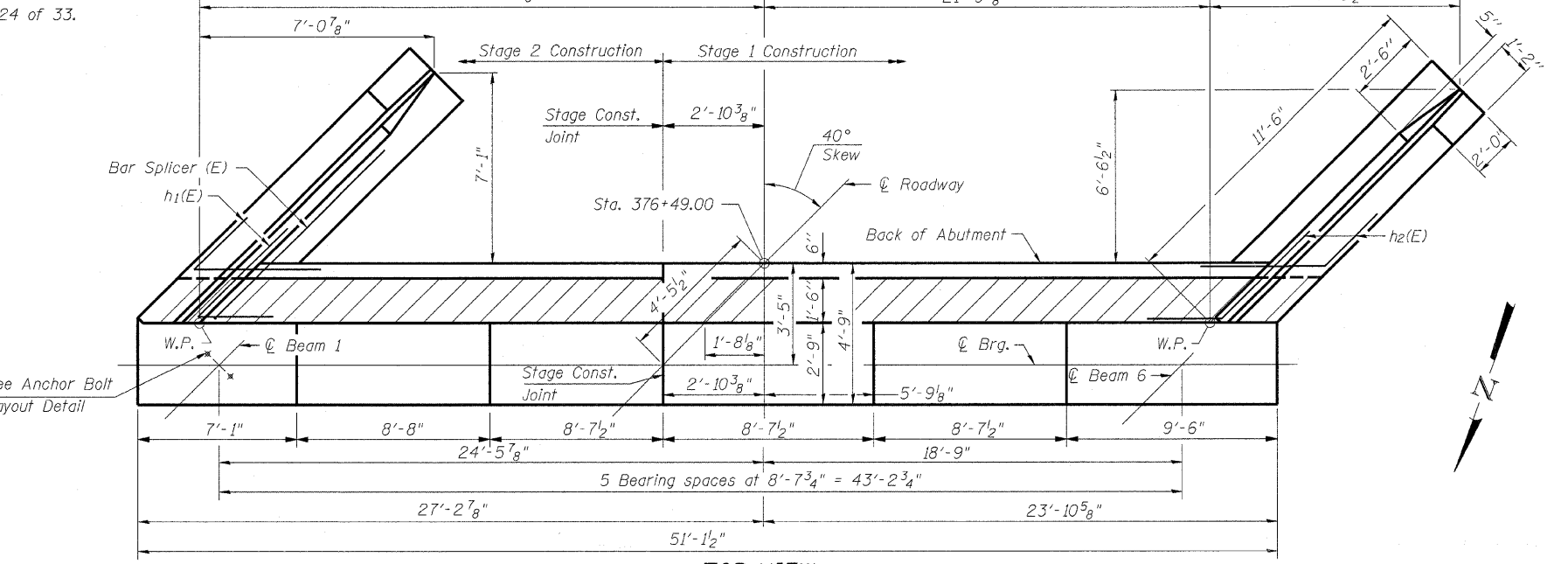
Bar	No.	Size	Length	Shape
h ₁ (E)	10	#5	7'-7"	└
h ₂ (E)	10	#5	6'-6"	└
h ₃ (E)	11	#4	11'-3"	—
h ₄ (E)	7	#4	11'-3"	—
h ₈ (E)	6	#5	26'-0"	—
h ₉ (E)	6	#5	21'-0"	—
h ₁₀ (E)	5	#6	26'-0"	—
h ₁₁ (E)	5	#6	21'-0"	—
n(E)	18	#6	11'-0"	└
n ₁ (E)	12	#6	5'-6"	└
p(E)	10	#7	26'-4"	—
p ₁ (E)	10	#7	24'-0"	—
p ₂ (E)	12	#7	12'-11"	—
s ₂ (E)	42	#4	15'-11"	└
s ₃ (E)	18	#4	9'-5"	└
u(E)	4	#6	10'-0"	└
u ₁ (E)	4	#6	8'-6"	└
v(E)	47	#5	2'-6"	—
v ₁ (E)	47	#4	3'-0"	—
v ₂ (E)	24	#6	7'-0"	—
v ₃ (E)	6	#6	6'-9"	—
v ₄ (E)	18	#6	7'-0"	—
v ₅ (E)	47	#4	4'-0"	—
v ₆ (E)	47	#4	5'-3"	—
Structure Excavation		Cu. Yd.	125.0	
Concrete Structures		Cu. Yd.	54.0	
Reinforcement Bars, Epoxy Coated		Pound	4,360	
Furnishing Steel Piles, HP 10x42		Foot	812	
Driving Piles		Foot	812	
Test Pile, Steel HP 10x42		Each	1	
Concrete Encasement		Cu. Yd.	4.6	
Concrete Sealer		Sq. Ft.	550	
Bar Splicers		Each	68	
Stud Shear Connectors		Each	120	

For details of Bar Splicers, see sheet 30 of 33.
For details of piles and Concrete Encasement, see sheet 29 of 33.
Concrete Sealer shall be applied to the face of the backwall, the bearing seats and the front face of abutment.

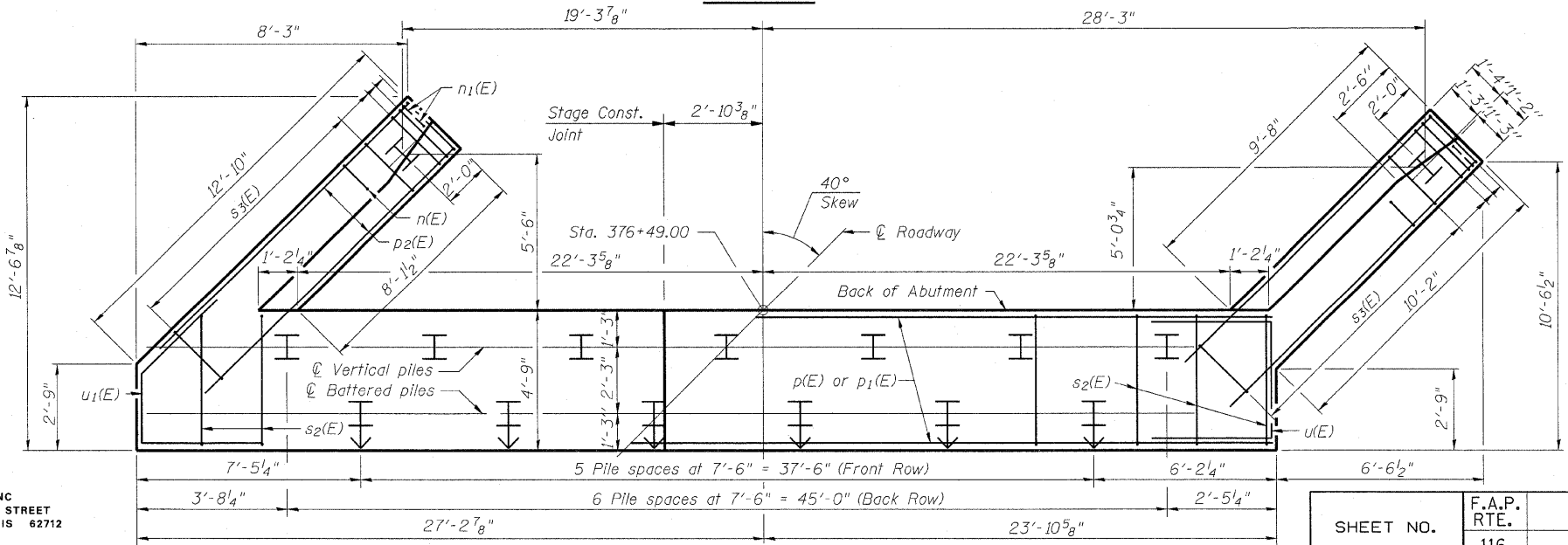
MIN. BAR LAP

- #5 3'-0"
- #6 3'-7"

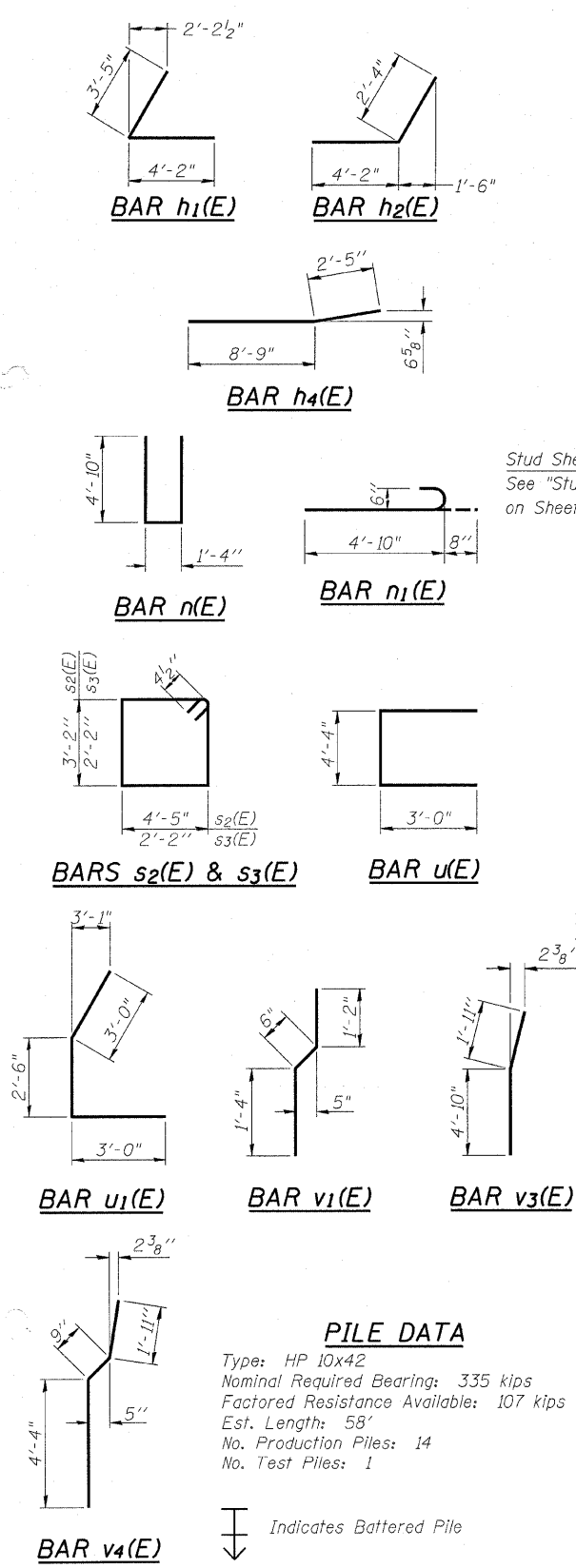
**SOUTH ABUTMENT
S.N. 018-0064**



TOP VIEW



FOOTING PLAN



PILE DATA

Type: HP 10x42
Nominal Required Bearing: 335 kips
Factored Resistance Available: 107 kips
Est. Length: 58'
No. Production Piles: 14
No. Test Piles: 1

Indicates Battered Pile

DESIGNED	SCD
CHECKED	DRB
DRAWN	THW
CHECKED	SCD

ie CONSULTANTS, INC
6420 SOUTH SIXTH STREET
SPRINGFIELD, ILLINOIS 62712
TEL. (217) 529-8027
FAX (217) 529-4543
WWW.IE-CONSULTANTS.COM

SHEET NO. 25 OF 33 SHEETS	F.A.P. RTE.	SECTION	COUNTY	TOTAL SHEETS	SHEET NO.
	116	(112BR1)B	CUMBERLAND	72	56
CONTRACT NO. 74236					
FED. ROAD DIST. NO. _ ILLINOIS FED. AID PROJECT					