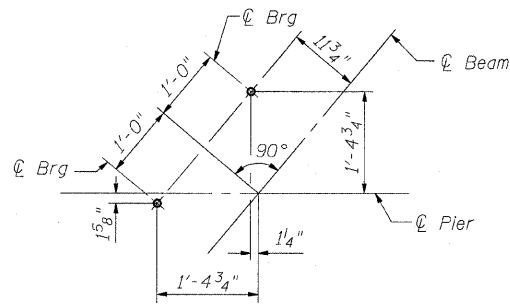
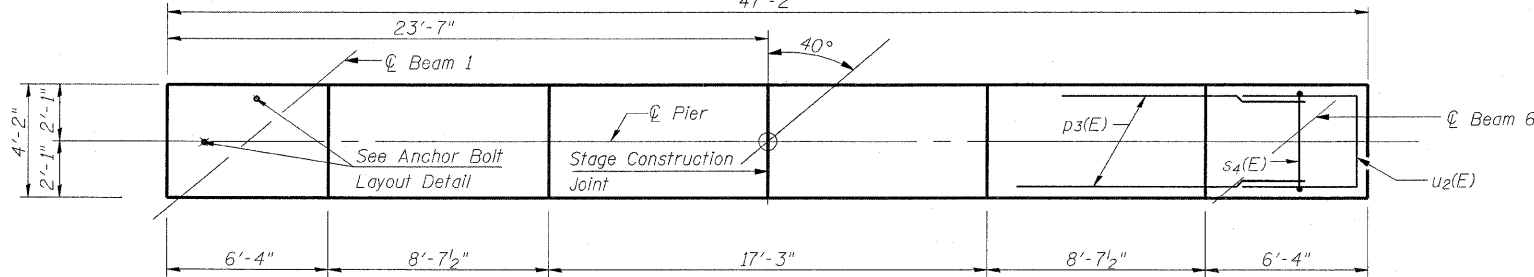


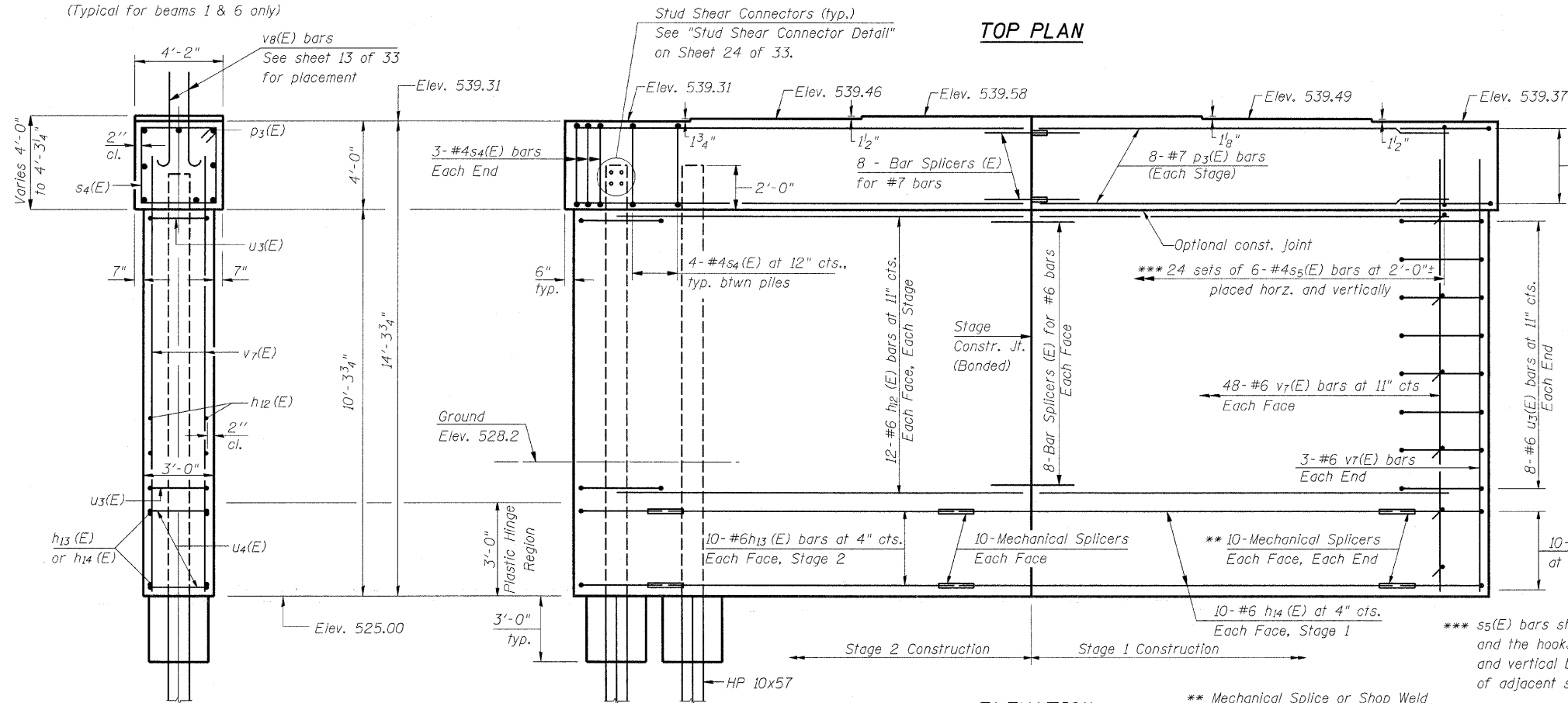
STATE OF ILLINOIS
DEPARTMENT OF TRANSPORTATION
47'-2"



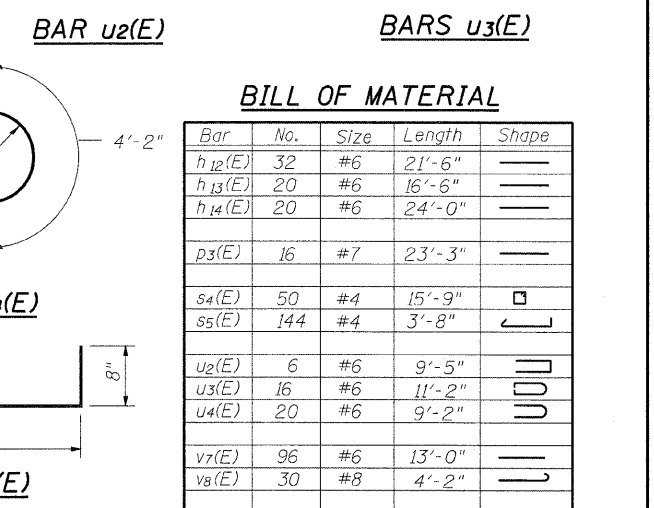
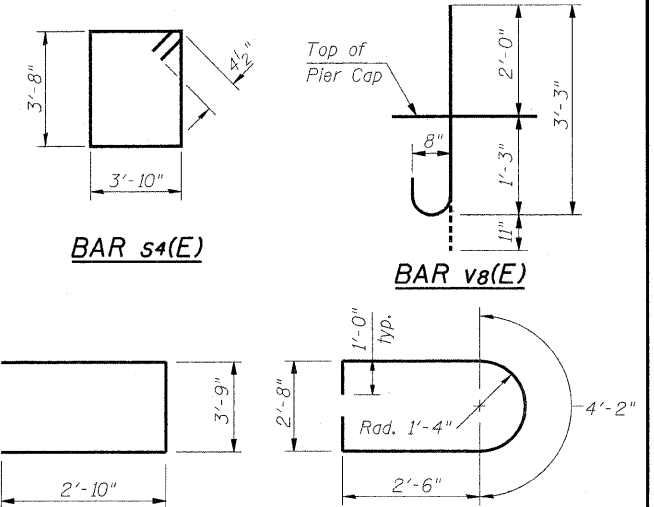
ANCHOR BOLT LAYOUT DETAIL
(Typical for beams 1 & 6 only)



TOP PLAN



ELEVATION
(Looking South)



BILL OF MATERIAL

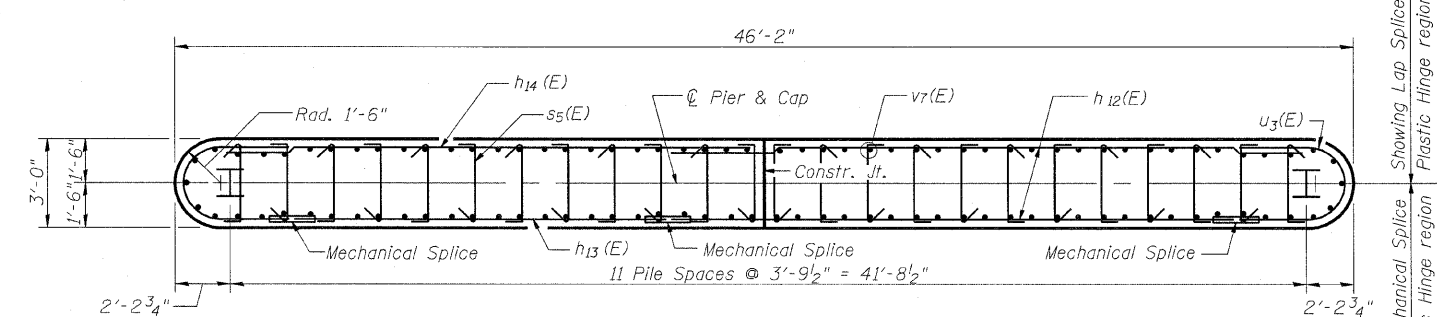
Bar	No.	Size	Length	Shape
h ₁₂ (E)	32	#6	21'-6"	—
h ₁₃ (E)	20	#6	16'-6"	—
h ₁₄ (E)	20	#6	24'-0"	—
p ₃ (E)	16	#7	23'-3"	—
s ₄ (E)	50	#4	15'-9"	□
s ₅ (E)	144	#4	3'-8"	┌┐
u ₂ (E)	6	#6	9'-5"	U
u ₃ (E)	16	#6	11'-2"	U
u ₄ (E)	20	#6	9'-2"	U
v ₇ (E)	96	#6	13'-0"	—
v ₈ (E)	30	#8	4'-2"	—
Structure Excavation		Cu. Yd.	42.0	
Concrete Structures		Cu. Yd.	82.5	
Reinforcement Bars, Epoxy Coated		Pound	6,730	
Furnishing Steel Piles, HP 10x57		Foot	638	
Driving Piles		Foot	638	
Test Pile, Steel HP10x57		Each	1	
Concrete Encasement		Cu. Yd.	4.2	
Underwater Structure Excavation Protection Location 1		Each	1	
Mechanical Splice		Each	60	
Bar Splicers		Each	24	
Stud Shear Connectors		Each	96	

*** s₅(E) bars shall be located at bar grid intersections, and the hooks of all ties shall enclose both horizontal and vertical bars at the intersections. The 90° hooks of adjacent s₅(E) bars shall be alternated end-for-end.

Min. Bar Lap
#6 2'-7"

Notes:
Space reinforcement in cap to miss anchor bolts.
Pour steps monolithically with cap.
For details of piles, see sheet 29 of 33
If a portion of the pier wall or concrete encasement is under water, reinforcement may be placed underwater into forms. Concrete shall be tremied according to Article 503.08 of the Standard Specifications to an elevation of 1'-0" above the water line at the time of construction.

PIER 1 DETAILS
S.N. 018-0064



FOOTING PLAN

PILE DATA
Type: HP 10x57
Nominal Required Bearing: 454 kips
Factored Resistance Available: 203 kips
Est. Length: 58'
No. Production Piles: 11
No. Test Piles: 1

DESIGNED	SCD
CHECKED	DRB
DRAWN	THW
CHECKED	SCD

PC-1 10-1-08

ie CONSULTANTS, INC
6420 SOUTH SIXTH STREET
SPRINGFIELD, ILLINOIS 62712
TEL. (217) 529-8027
FAX (217) 529-4543
WWW.IE-CONSULTANTS.COM

SHEET NO. 27 OF 33 SHEETS	F.A.P. RTE.	SECTION	COUNTY	TOTAL SHEETS	SHEET NO.
	116	(112BR1)B	CUMBERLAND	72	58
CONTRACT NO. 74236					
FED. ROAD DIST. NO. _ ILLINOIS FED. AID PROJECT					