

PLACE THE ARROW 18' (5.5 m) BACK FROM STOP BAR
 PLACE ANOTHER ARROW EVEN WITH THE BEGINNING
 OF THE SOLID WHITE LINE. SPACE ADDITIONAL ARROWS
 EVENLY UP TO 80' (24.4 m) MAXIMUM SPACING.

80' (24.4 m) MAXIMUM SPACING; ALSO
 NO LESS THAN 2 ARROWS WILL BE USED

40' (12.2 m) O.C. (TYP.)

40' (12.2 m) O.C. (TYP.)
 3 MARKERS MIN. FOR
 TURN LANE BAY (TYP.)

LENGTH AS SHOWN IN THE PLANS

CROSSWALK WIDTH 6' (1.8m)
 OR AS SHOWN IN THE PLANS

* REDUCE TO 40 FEET (12.2 METERS) SPACING ON CURVES
 WHERE ADVISORY SPEEDS ARE 10 MPH (15 km/h) LOWER
 THAN POSTED SPEEDS.

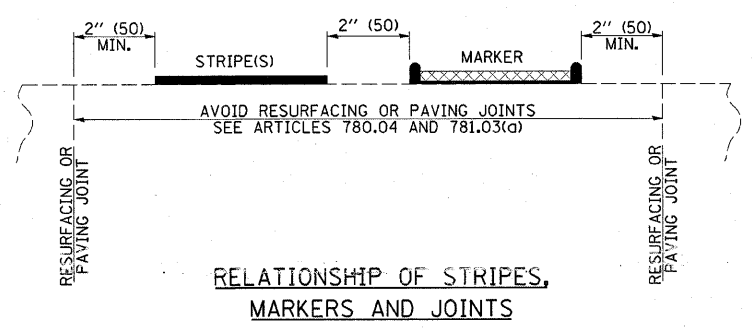
** DOUBLE LANE LINE MARKERS SHALL BE SPECIFIED
 AND SPACED AS SHOWN IN HIGHWAY STANDARD
 781001 FOR MULTI-LANE DIVIDED AND UNDIVIDED
 HIGHWAYS.

PAVEMENT MARKING LEGEND

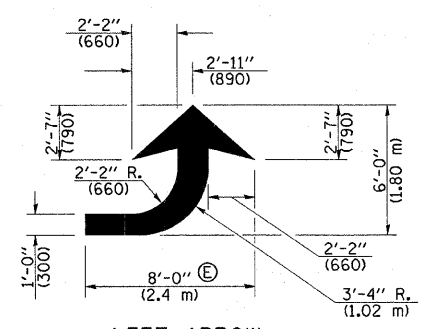
- 1 4" (100) SKIP-DASH (YELLOW)
- 2 4" (100) SOLID (YELLOW)
- 3 12" (300) DIAGONAL (YELLOW)
- 4 4" (100) DOUBLE YELLOW (NARROW)
- 5 RESERVED
- 6 RESERVED
- 7 6" (150) SKIP-DASH (WHITE)
- 8 4" (100) SOLID (WHITE)
- 9 12" (300) DIAGONAL (WHITE)
- 10 6" (150) SOLID (WHITE)
- 11 24" (600) STOP BAR (WHITE)
- 12 8" (200) SOLID (WHITE)
- 13 6" (100) LANE LINE EXTENSIONS (WHITE)
- 14 4" (100) PARKING WHITE

GENERAL NOTES

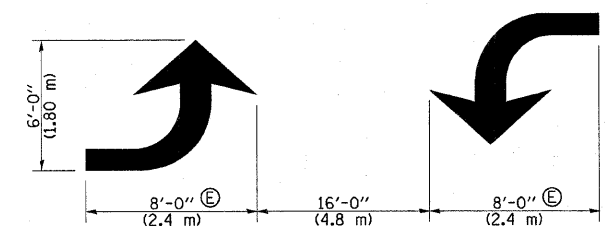
- B TURN ARROW PAIRS SHALL BE PLACED AT 250' (75 m) INTERVALS AND SHALL BE EVENLY SPACED BETWEEN BOTH ENDS OF THE BIDIRECTIONAL LEFT TURN LANE. USE A MINIMUM OF TWO PAIRS PER BLOCK.
- C THE SOLID YELLOW PAVEMENT MARKINGS [2] SHOULD GENERALLY START OR END NEAR THE RADIUS POINT OF EACH STREET RETURN EXCEPT WHERE ONE OR BOTH ENDS WOULD INCLUDE STOP BARS.
- D THE SKIP-DASH PAVEMENT MARKINGS [1] OR [7] SHOULD BE CENTERED BETWEEN BOTH ENDS OF EACH CITY BLOCK AND SHALL BE PLACED SO THEY LINE UP ACROSS FROM EACH OTHER.
- E USE LARGE ARROW SIZE FOR BOTH RURAL AND URBAN LOCATIONS. (SEE LAST PAGE OF SECTION 780x FOR SYMBOLS TABLE)



**RELATIONSHIP OF STRIPES,
 MARKERS AND JOINTS**



LEFT ARROW
 REVERSE FOR RIGHT ARROW
 AREA = 15.6 SQ. FT. (1.47 m²)
 (WHITE)



**TYPICAL DOUBLE
 TURN ARROWS (WHITE)**

NOT TO SCALE

Note: All dimensions are in INCHES (millimeters) unless otherwise shown.

DISTRICT 7 DETAIL NO. 7800001

FILE NAME =	USER NAME = swartzw	DESIGNED -	REVISED -	STATE OF ILLINOIS DEPARTMENT OF TRANSPORTATION	PAVEMENT MARKING AND RAISED REFLECTIVE PAVEMENT MARKERS (RURAL & URBAN APPLICATIONS)		F.A.S. RTE.	SECTION	COUNTY	TOTAL SHEETS	SHEET NO.
c:\pw_work\pwwork\swartzw\dms54414\shdtdetail_74317.dgn		DRAWN -	REVISED -				2796	ILKRS-2	EFFINGHAM	58	38
PLOT SCALE = 20.0000' / IN.		CHECKED -	REVISED -				CONTRACT NO. 74317				
PLOT DATE = 3/17/2010		DATE -	REVISED -				ILLINOIS FED. AID PROJECT				