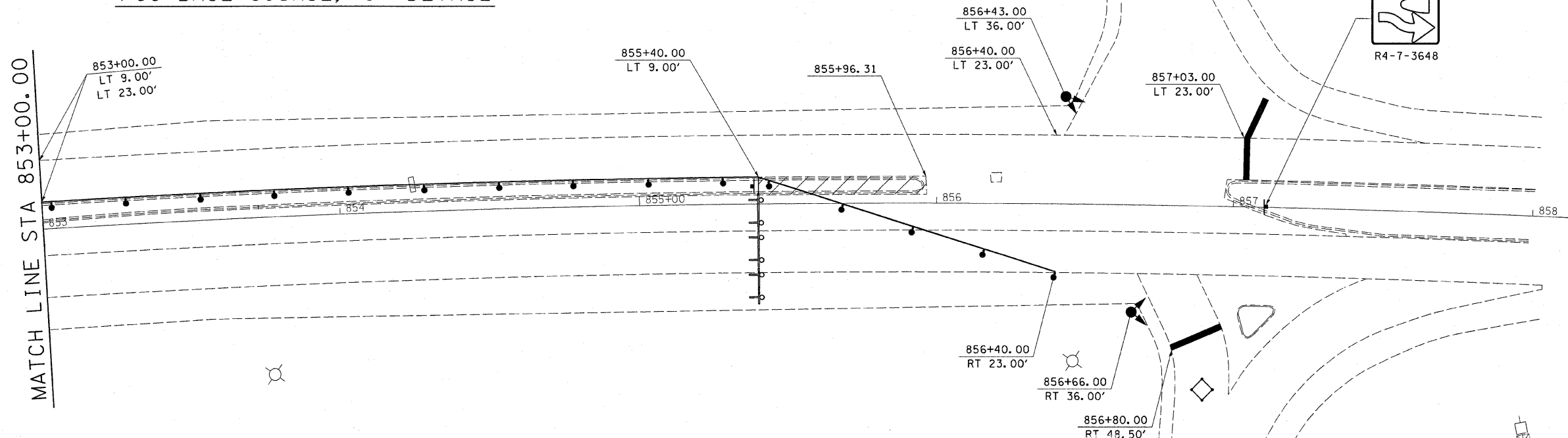


**PCC BASE COURSE, 9" DETAIL**

- TYPE III BARRICADE WITH FLASHING LIGHTS
- DRUM WITH STEADY BURNING LIGHT
- PCC BASE COURSE, 9"
- TEMPORARY BRIDGE TRAFFIC SIGNAL
- DETECTOR LOOP

SEE STANDARD 701316-04  
FOR TRAFFIC CONTROL IN  
ADVANCE OF STOP BARS.



**PAVEMENT MARKING REMOVAL**

STA. 844+00.00 TO STA. 846+15.00	6" WHITE AT LEFT TURN LANE	108 SQ FT
STA. 848+50.00 TO STA. 855+40.00	4" YELLOW MEDIAN STRIPE	230 SQ FT
STA. 844+00.00 TO STA. 844+55.00	4" YELLOW AT MEDIAN REMOVAL	37 SQ FT
STA. 855+40.00 TO STA. 855+97.00	4" YELLOW AT MEDIAN REMOVAL	38 SQ FT
STA. 844+00.00 TO STA. 845+15.00	LEFT TURN ARROWS	31 SQ FT
<b>TOTAL</b>		<b>444 SQ FT</b>

**COMBINATION CURB & GUTTER REMOVAL**

STA. 844+06.00 TO STA. 845+55.00	98 FT
STA. 855+40.00 TO STA. 855+90.00	101 FT
<b>TOTAL</b>	<b>199 FT</b>

**CONCRETE MEDIAN REMOVAL**

STA. 844+00.00 TO STA. 844+06.00	36 SQ FT
STA. 855+90.00 TO STA. 855+96.31	36 SQ FT
<b>TOTAL</b>	<b>72 SQ FT</b>

**SHORT TERM PAVEMENT MARKING**

STA. 843+55.00 TO STA. 856+40.00	1294 FT
STOP BARS	797 FT
<b>TOTAL</b>	<b>2091 FT</b>

**CONCRETE MEDIAN SURFACE REMOVAL**

STA. 844+06.00 TO STA. 845+55.00	185 SQ FT
STA. 855+40.00 TO STA. 855+90.00	194 SQ FT
<b>TOTAL</b>	<b>379 SQ FT</b>

**REMOVE AND RE-ERECT EXISTING SIGN**

STA. 844+00.00	1 EACH
STA. 855+96.31	1 EACH
<b>TOTAL</b>	<b>2 EACH</b>

**WORK ZONE PAVEMENT MARKING REMOVAL**

STA. 843+55.00 TO STA. 845+40.00	431 SQ FT
<b>TOTAL</b>	<b>431 SQ FT</b>

**PORTLAND CEMENT CONCRETE BASE COURSE 9"**

STA. 844+00.00 TO STA. 845+55.00	37.0 SQ YD
STA. 855+40.00 TO STA. 855+96.31	37.0 SQ YD
<b>TOTAL</b>	<b>74.0 SQ YD</b>

**PROTECTIVE SHIELD**

OVER I-70 EASTBOUND	2370 FT
OVER I-70 WESTBOUND	2390 FT
<b>TOTAL</b>	<b>4760 FT</b>