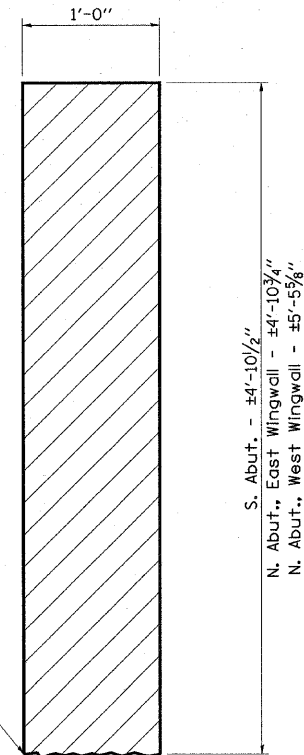
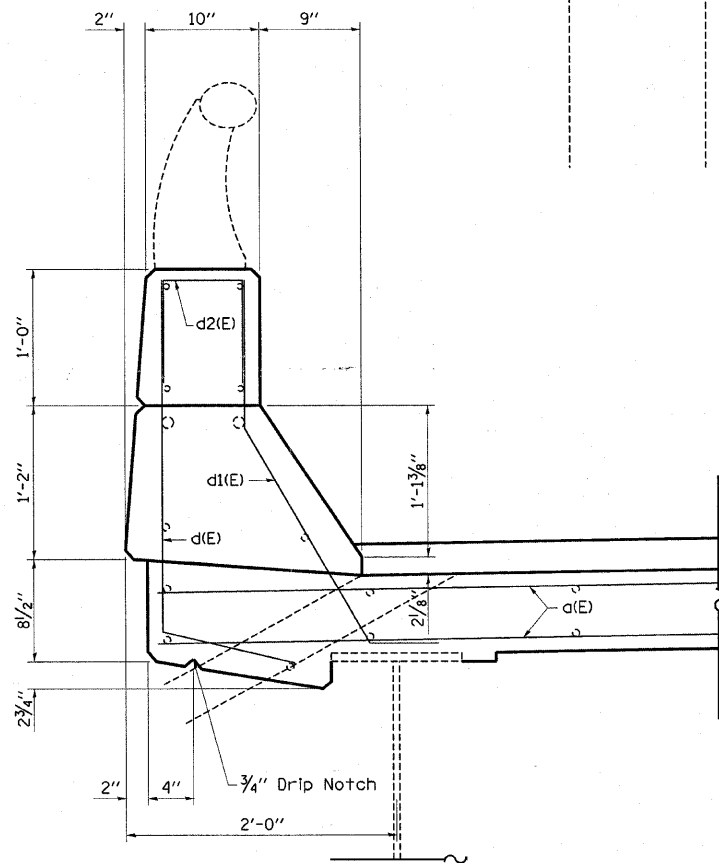


TYPICAL WINGWALL REMOVAL/REPLACEMENT

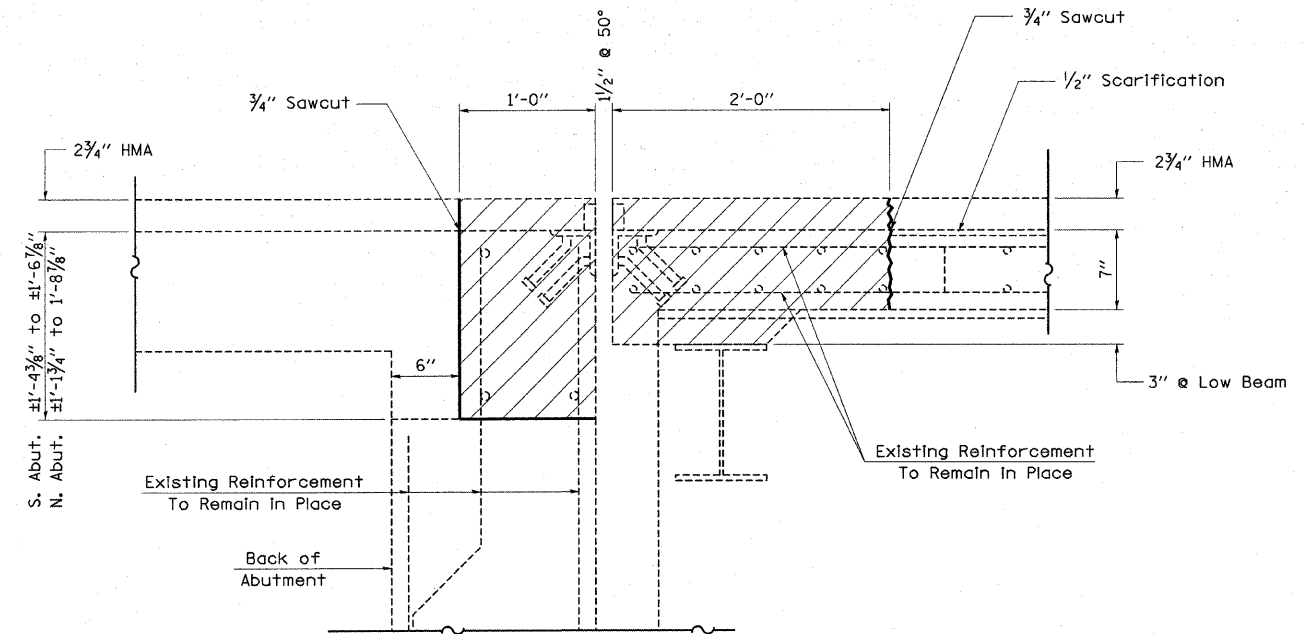


S. Abut. - ±4'-10 1/2"
N. Abut., East Wingwall - ±4'-10 3/4"
N. Abut., West Wingwall - ±5'-5 5/8"

Note: Rotate d(E) and d1(E) bars in parapet to fit horizontal legs in concrete pour.



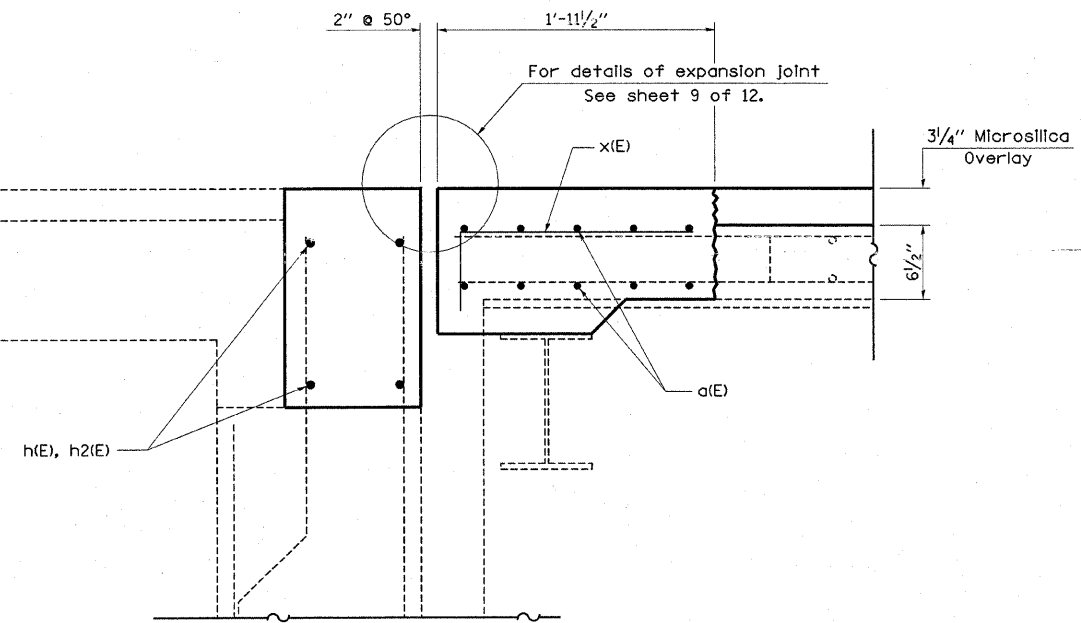
SECTION THRU PARAPET



SECTION A-A
(Dimensions at RT L's to end of deck)

Note: Dimensions are based on a Rolled Roll Strip Seal Joint. If the Contractor elects to use the Welded Roll Strip Seal Joint, deck dimensions may require adjustments to satisfy the details on Base Sheet EU-SSJ.

○ Existing Reinforcement
● Proposed Reinforcement



SECTION B-B
(Dimensions at RT L's to end of deck)

FILE NAME =	USER NAME = swartzw	DESIGNED -	REVISED -	STATE OF ILLINOIS DEPARTMENT OF TRANSPORTATION	EXPANSION JOINT REPLACEMENT DETAILS		F.A.P. RTE.	SECTION	COUNTY	TOTAL SHEETS	SHEET NO.	
c:\pw_work\pwwork\swartzw\dms53580\d77	346-shr-detail.dgn	DRAWN -	REVISED -		SN 018-0025		116	(18-47HB-1)BR	CUMBERLAND	28	14	
	PLOT SCALE = 28.00000 1/ IN.	CHECKED -	REVISED -		SCALE:	SHEET NO. 3 OF 12 SHEETS	STA.	ILLINOIS FED. AID PROJECT		CONTRACT NO. 74346		
	PLOT DATE = 3/19/2010	DATE -	REVISED -									