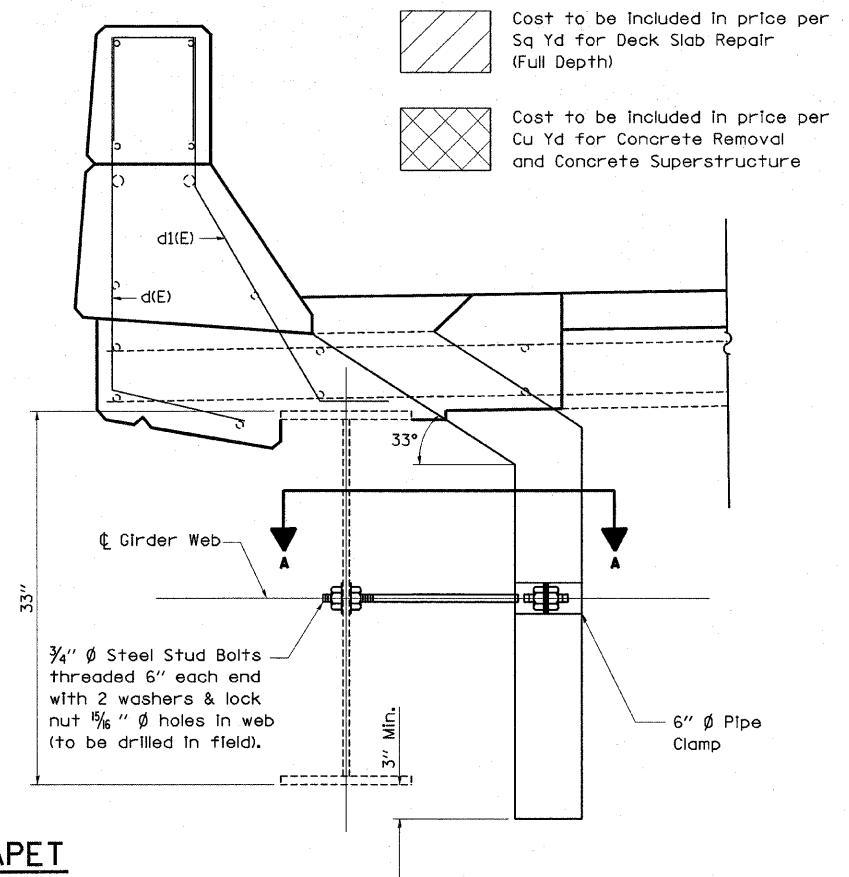
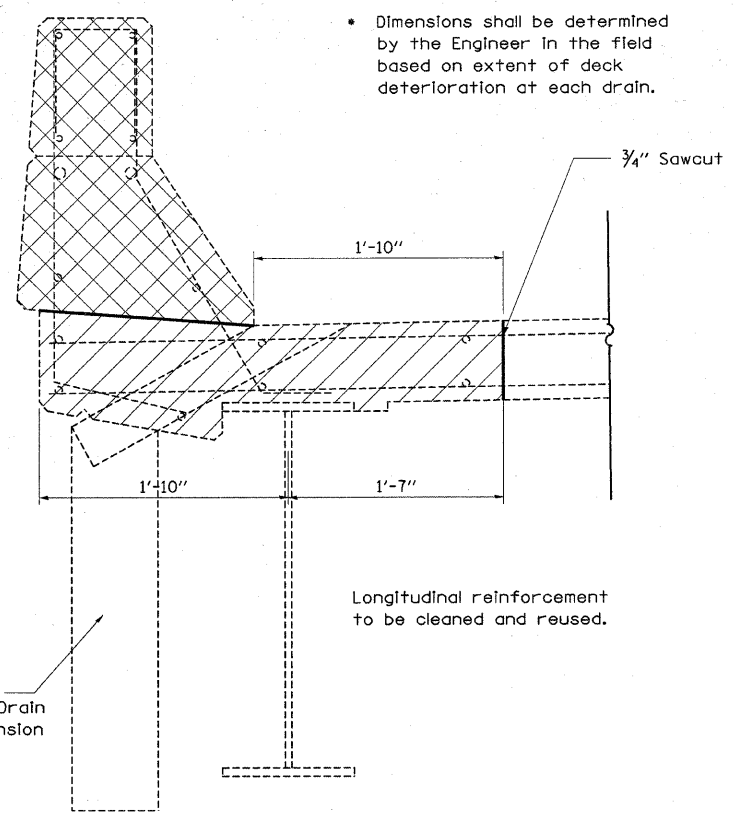
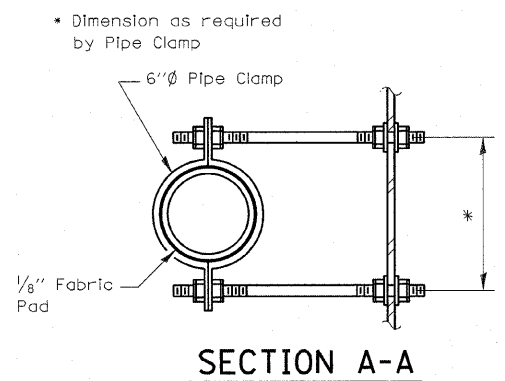
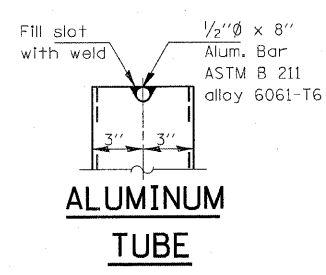


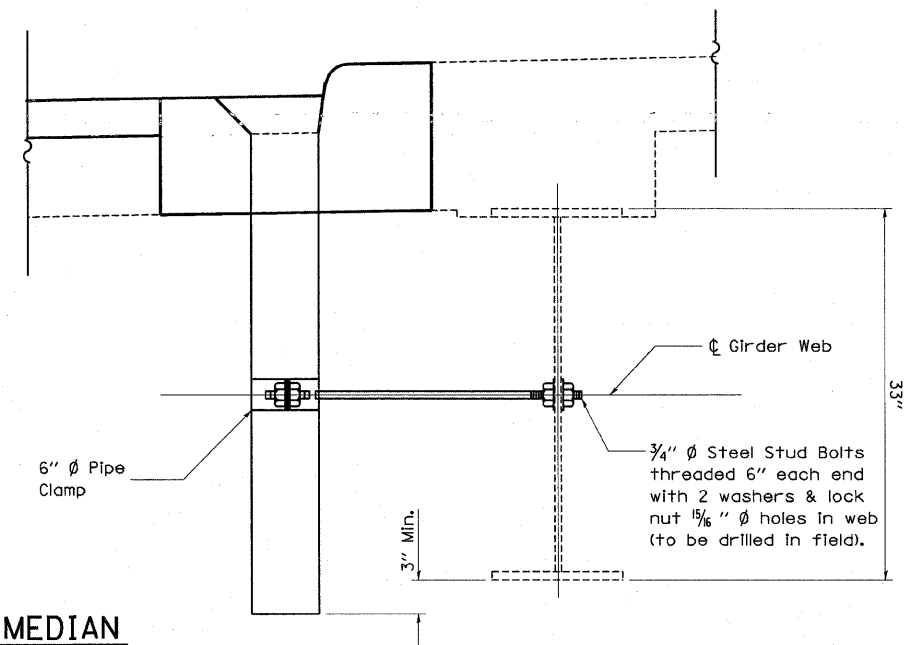
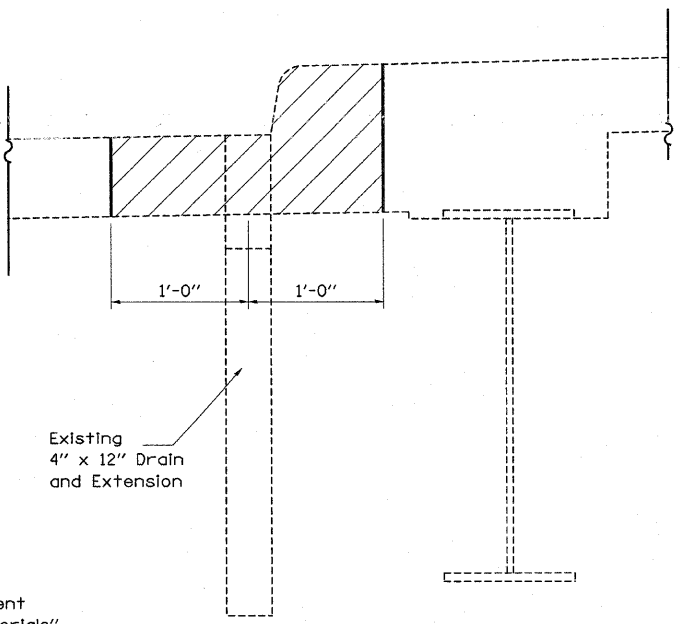
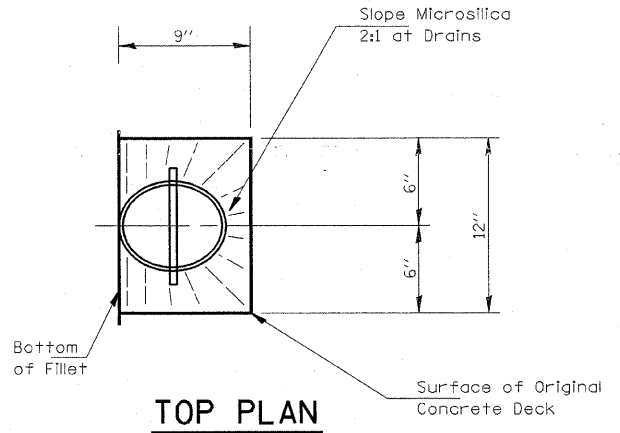
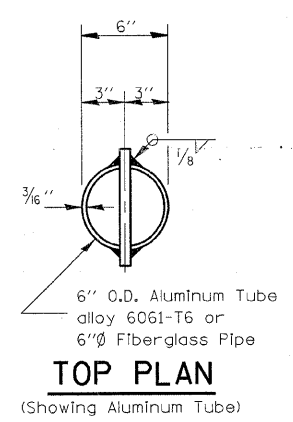
**BILL OF MATERIAL**

BAR	NUMBER OF BARS		TOTAL	SIZE	LENGTH	SHAPE
	STAGE I	STAGE II				
d (E)	24	12	36	#4	3' - 7"	L
d1(E)	24	12	36	#5	3' - 5"	L
d2(E)	6	4	10	#4	1' - 4"	U
REINFORCEMENT BARS (EPOXY COATED)			POUND	230		
CONCRETE REMOVAL			CU YD	2.2		
CONCRETE SUPERSTRUCTURE			CU YD	2.2		
FLOOR DRAINS			EACH	17		



**SECTION THRU EXISTING FLOOR DRAIN**

**DRAIN REPLACEMENT DETAIL**



Note: Fiberglass pipe shall conform to ASTM D 2996, with short-time rupture strength hoop tensile stress of 30,000 p.s.i. minimum.

Note: See "Bridge Deck Patching" plan sheets for Floor Drain replacement locations. See "Total Bill of Materials" for each structure for quantities.