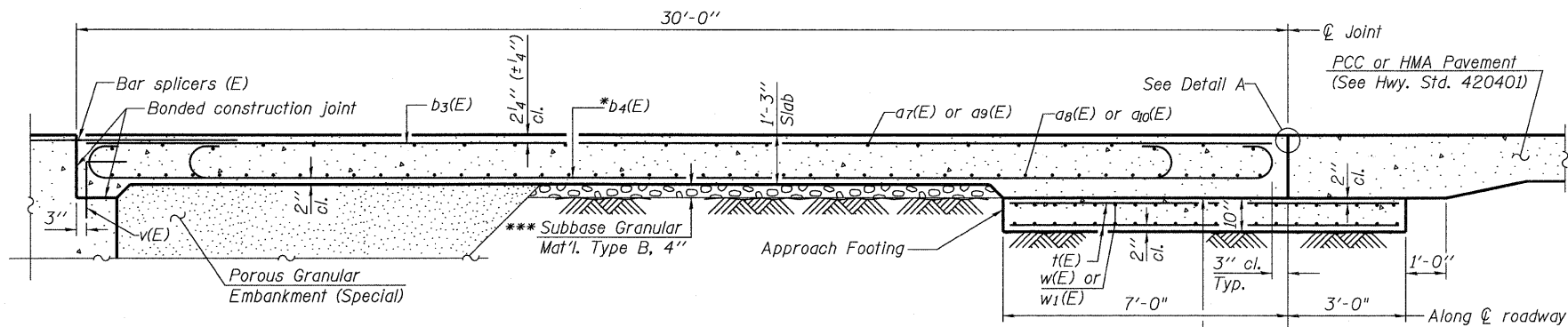
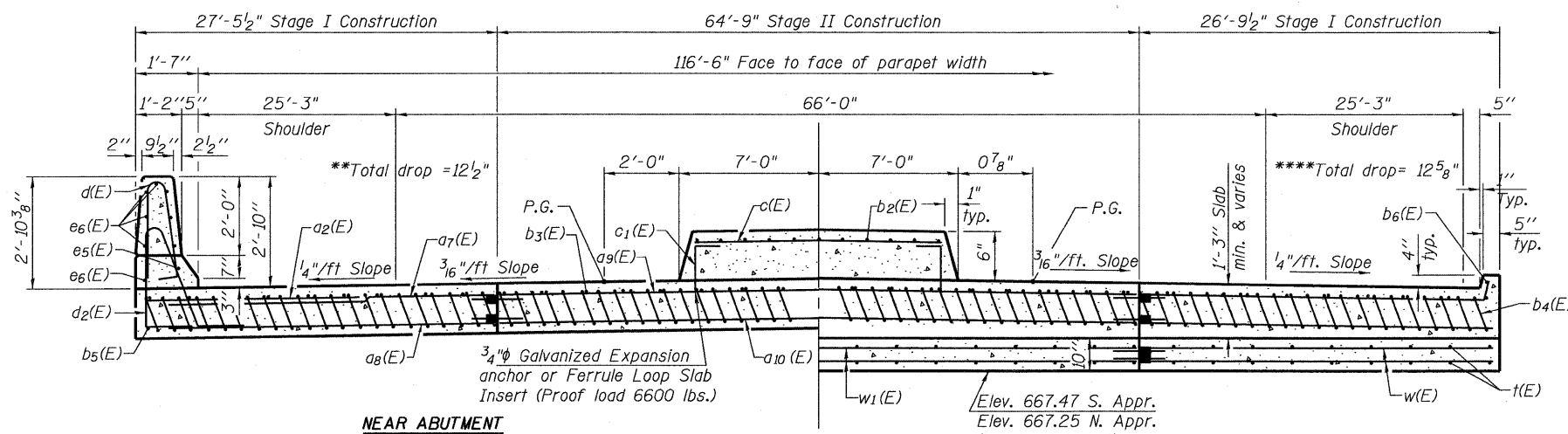


Notes:

See sheet 20 of 36 for Detail A and View B-B.
 Approach slab and parapet concrete shall be paid for as Concrete Superstructure.
 Approach footing concrete shall be paid for as Concrete Structures.
 Reinforcement shall be paid for as Reinforcement Bars, Epoxy Coated.
 For v(E) bar details, see sheets 25 & 26 of 36.
 The approach footing maximum applied service bearing pressure (Qmax) = 2.0 ksf.
 For bar splicer details, see sheet 30 of 36.
 Cost of excavation for approach footing included with Concrete Structures.
 For Porous Granular Embankment (Special) and drainage treatment details, see sheet 2 of 36.
 For additional parapet details, see sheet 17 of 36.

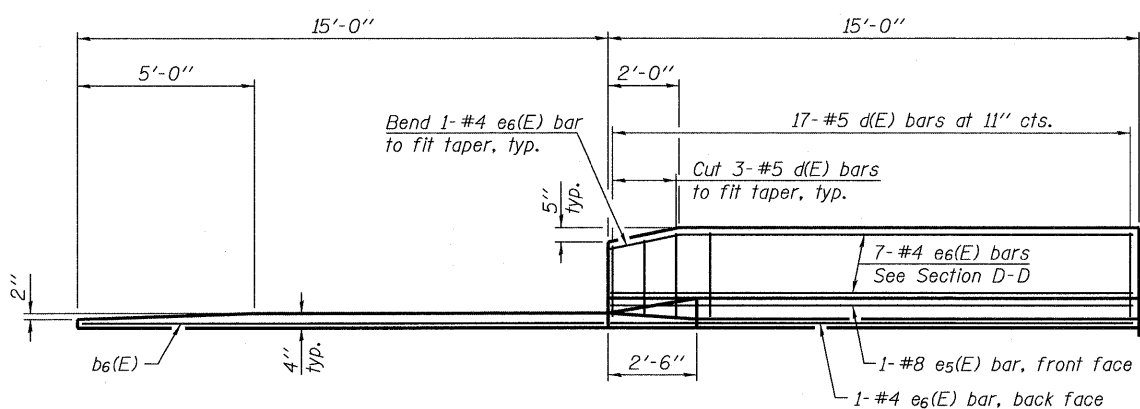


SECTION C-C



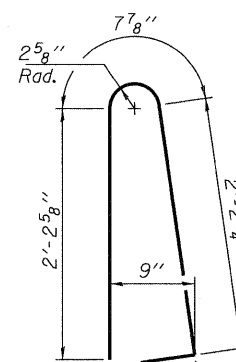
SECTION D-D

(See Plan for dimensions not shown)

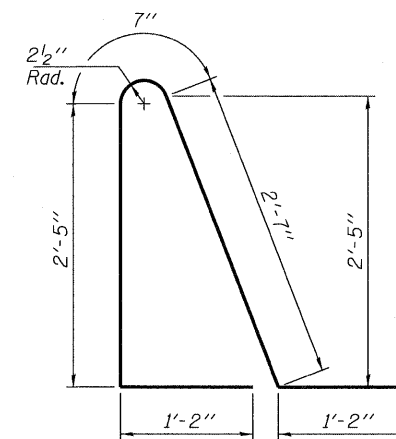


VIEW E-E

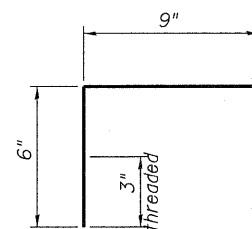
- * Tilt #9 b4(E) bars as required to maintain clearance.
- ** 12 1/2" From CL Structure, 10 13/16" From PG
- *** Cost included with Concrete Superstructure.
- **** 12 5/8" from CL Structure, 10 7/8" from PG



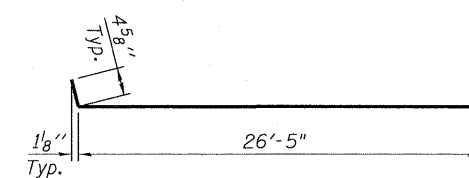
BAR d(E)



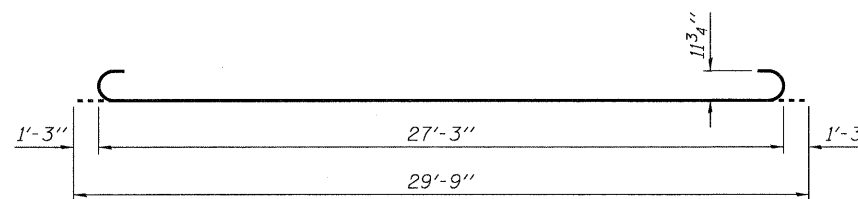
BAR d2(E)



BAR c1(E)



BAR a7(E)



BAR b4(E)

TWO APPROACHES
 BILL OF MATERIAL

Bar	No.	Size	Length	Shape
a2(E)	48	#6	6'-0"	—
a7(E)	96	#4	26'-10"	—
a8(E)	180	#5	26'-5"	—
a9(E)	96	#4	32'-11"	—
a10(E)	180	#5	33'-1"	—
b2(E)	28	#5	29'-8"	—
b3(E)	190	#4	29'-8"	—
b4(E)	566	#9	29'-9"	—
b5(E)	4	#4	14'-8"	—
b6(E)	4	#4	14'-7"	—
c(E)	60	#5	13'-8"	—
c1(E)	120	#5	1'-3"	—
d(E)	68	#5	5'-7"	—
d2(E)	68	#5	7'-11"	—
e5(E)	4	#8	14'-8"	—
e6(E)	32	#4	14'-8"	—
t(E)	476	#4	9'-8"	—
w(E)	160	#5	26'-5"	—
w1(E)	160	#5	33'-1"	—
Concrete Superstructure		Cu. Yd.	395.1	
Concrete Structures		Cu. Yd.	72.8	
Reinforcement Bars, Epoxy Coated		Pound	92,830	
Bar Splicers		Each	436	

See Note A

See Note B

Note A: 79,830 (Superstructure), 13,000 (Substructure)

Note B: 276 (Superstructure), 160 (Substructure)

(Sheet 2 of 2)
 BRIDGE APPROACH SLAB DETAILS
 STRUCTURE NO. 058-0136

Coombe-Bloxdorf P.C. - CIVIL ENGINEERS - - STRUCTURAL ENGINEERS - - LAND SURVEYORS - Design Firm License No. 184-002703	PROJECT NO. 08052-6 SCALE DATE 1/18/10 DESIGN BY BD/MCB DRAWN BY TFG CHECKED BY MCB	SHEET NO. 21 36 SHEETS	F.A.P. RTE. 322 SECTION (58-64HB-1)B-1	COUNTY MACON	TOTAL SHEETS 149 SHEET NO. 80	CONTRACT NO. 74387
	FED. ROAD DIST. NO. 7 ILLINOIS FED. AID PROJECT					