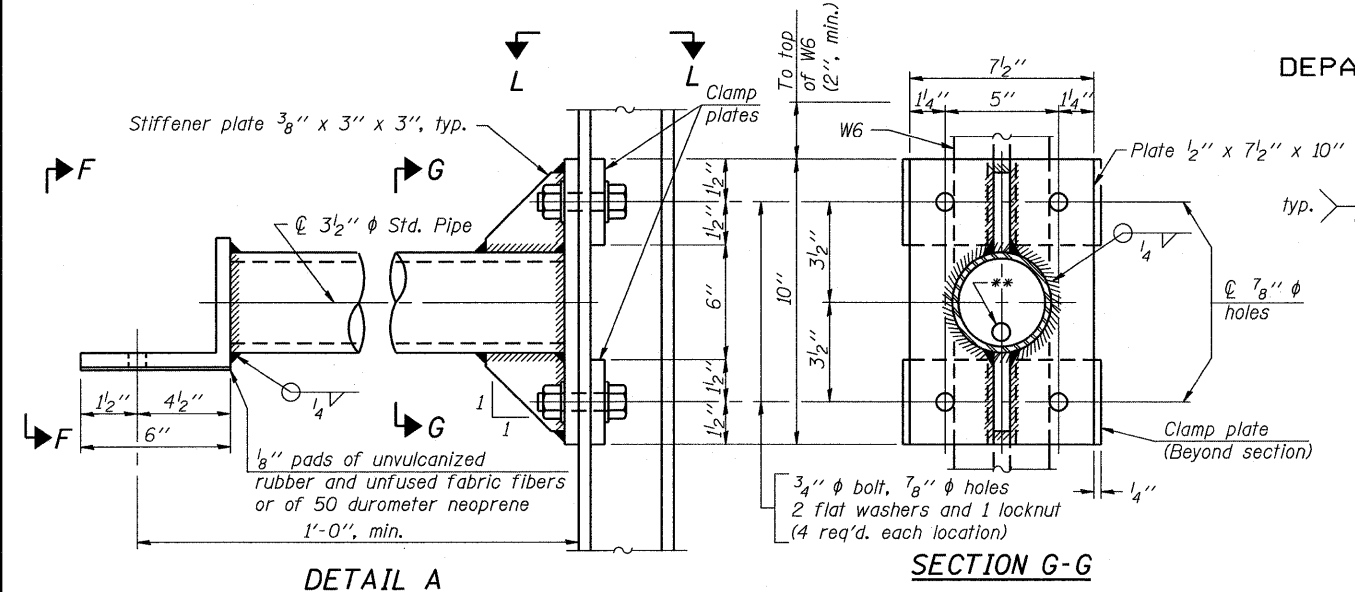
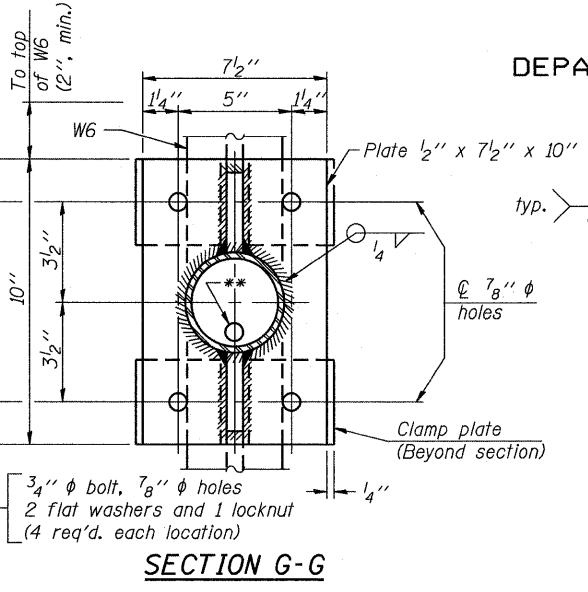


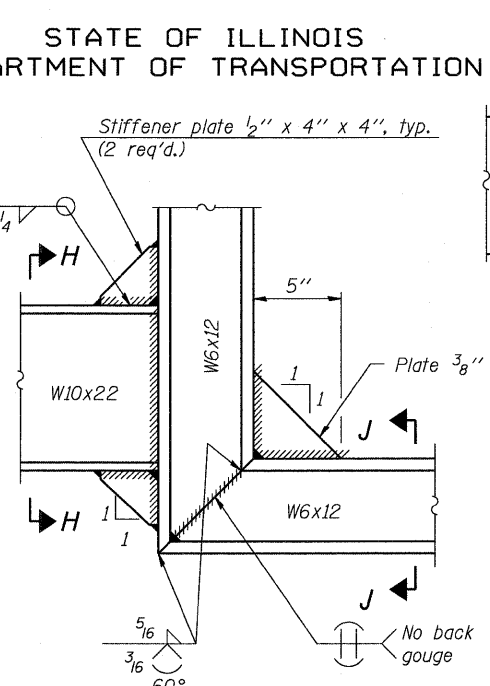
STATE OF ILLINOIS  
DEPARTMENT OF TRANSPORTATION



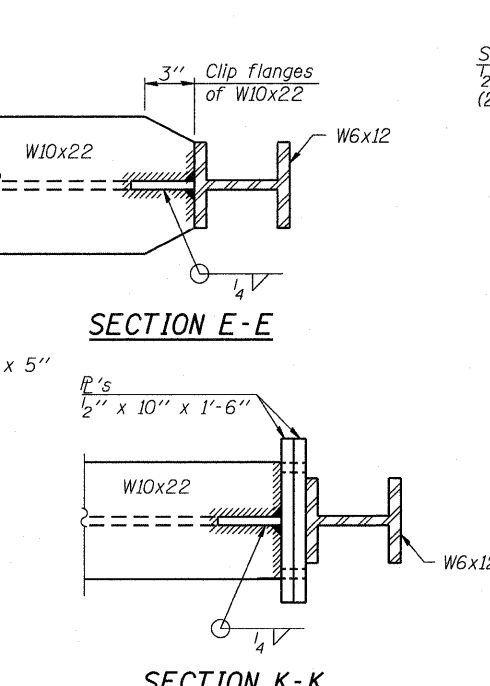
DETAIL A



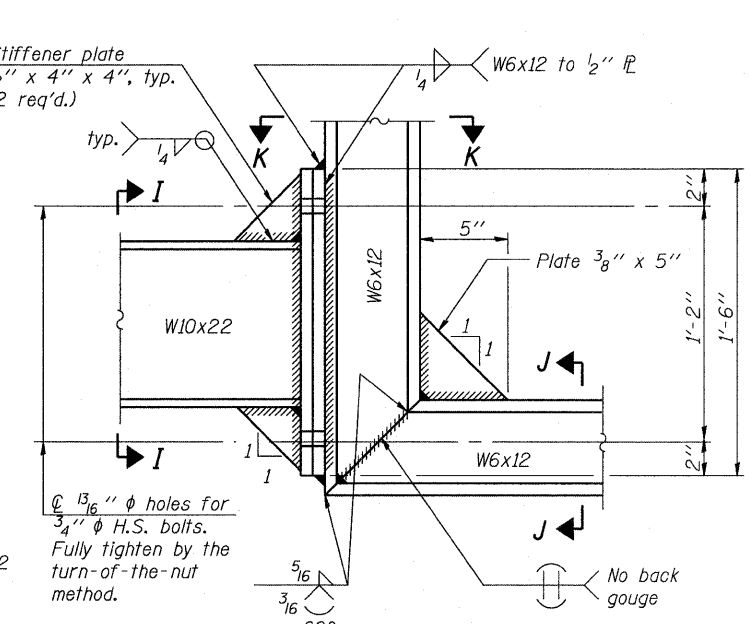
SECTION G-G



DETAIL B - WELDED W10x22 TO W6x12 CONNECTION

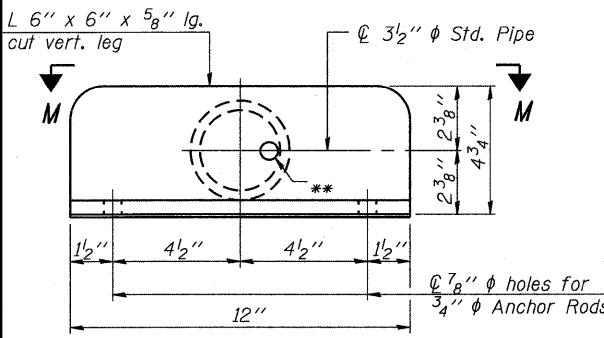


SECTION E-E



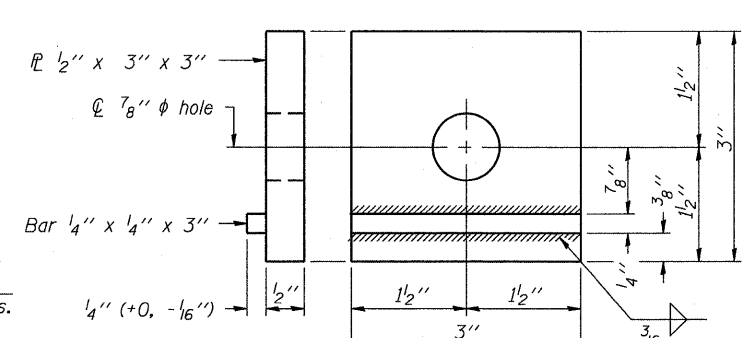
DETAIL B - ALTERNATE BOLTED W10x22 TO W6x12 CONNECTION

Alternate may be substituted by contractor to facilitate construction or galvanizing, especially on long struts for skewed bridges.

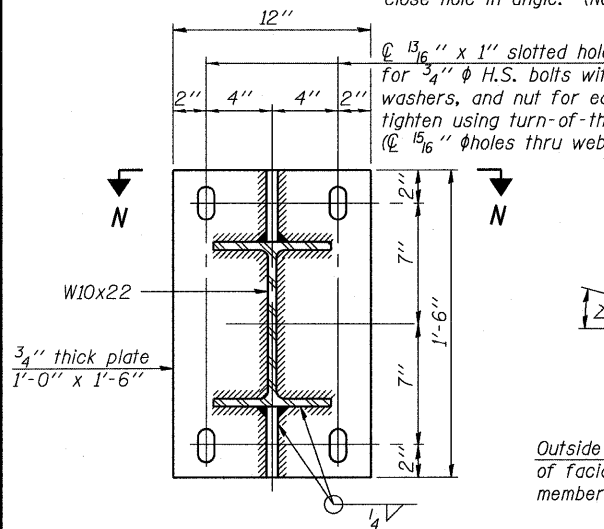


VIEW F-F

\*\* 13/16" holes for galvanizing. After galvanizing, install 7/8" A307 hot-dip galvanized bolt to close hole in angle. (No bolt required in 1/2" plate.)

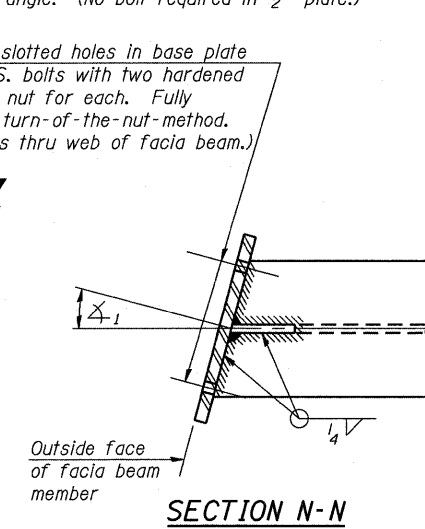


CLAMP PLATE DETAILS



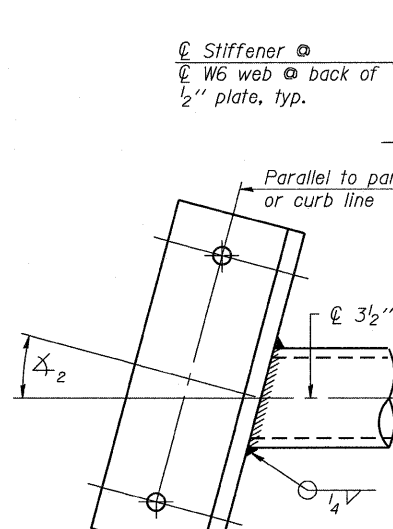
SECTION C-C

Steel beam or girder connection plate details



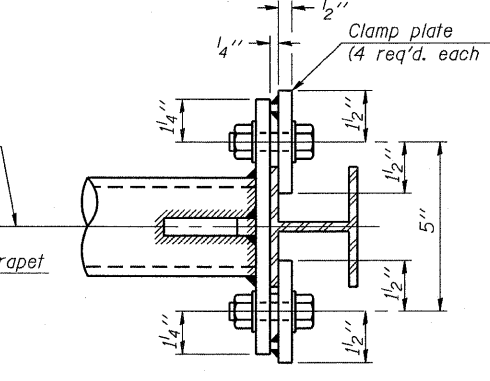
SECTION N-N

Skewed connection detail for W10x22 to fascia beam.

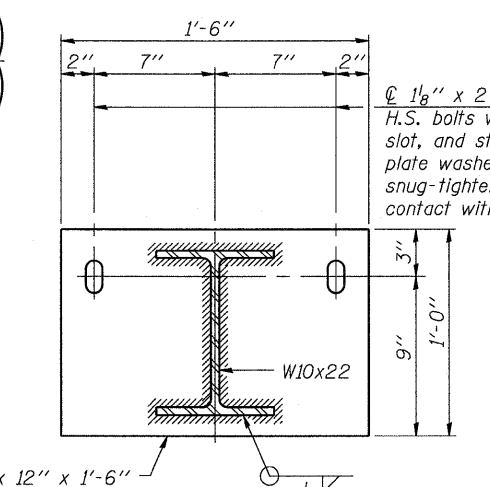


SECTION M-M

Skewed connection detail for 3/4" pipe to parapet.

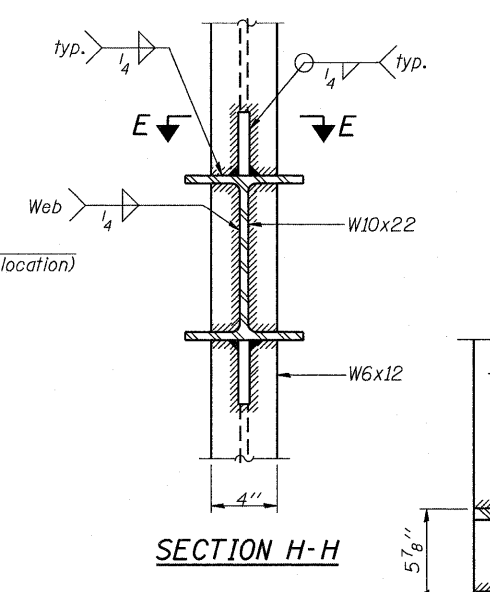


SECTION L-L

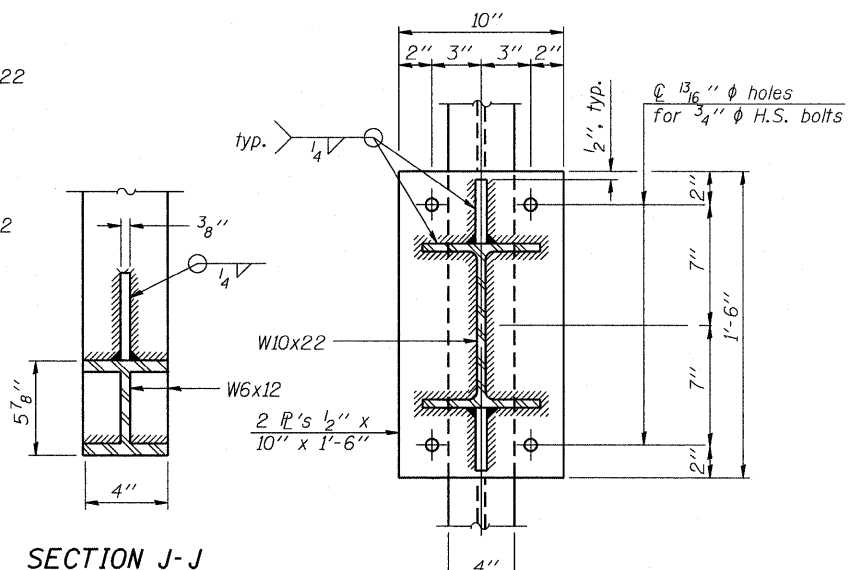


SECTION D-D

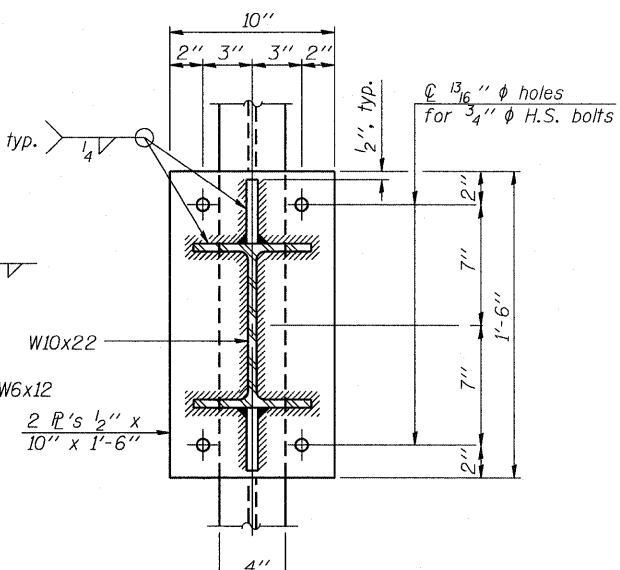
Concrete beam or girder connection plate details.



SECTION H-H



SECTION J-J



SECTION I-I

DESIGNED	JTH
CHECKED	SJK
DRAWN	JTH
CHECKED	SJK

EXAMINED	200
PASSED	ENGINEER OF BRIDGE DESIGN
	ENGINEER OF BRIDGES AND STRUCTURES

NUMBER	REVISION	DATE

BM-3 12-1-08

**BRIDGE MOUNT SIGN STRUCTURES CONNECTION DETAILS**

**THOUVENOT, WADE & MOERCHEN, INC.**  
CORPORATE OFFICE  
4940 Old Collinsville Road  
Swansea, Illinois 62226  
Tel: 618.624.4488  
Fax: 618.624.6688  
SWANSEA • WATERLOO • EDWARDSVILLE • CARBONDALE • ST. CHARLES

**TWM**  
ENGINEERS • SURVEYORS • PLANNERS

SHEET NO. 4 15 SHEETS	F.A.P. RTE.	SECTION	COUNTY	TOTAL SHEETS	SHEET NO.
	322	(58-64HB-1)B-1	MACON	149	99
	US ROUTE 51		CONTRACT NO. 74387		
FED. ROAD DIST. NO. 7 ILLINOIS FED. AID PROJECT					

3/15/2010 4:24:52 PM  
Plotted by: mloast  
P:\080276\US 51over 1-72\4-CADD\4.2-TR\SHEETS\DT74387-sht-sign-004.dgn