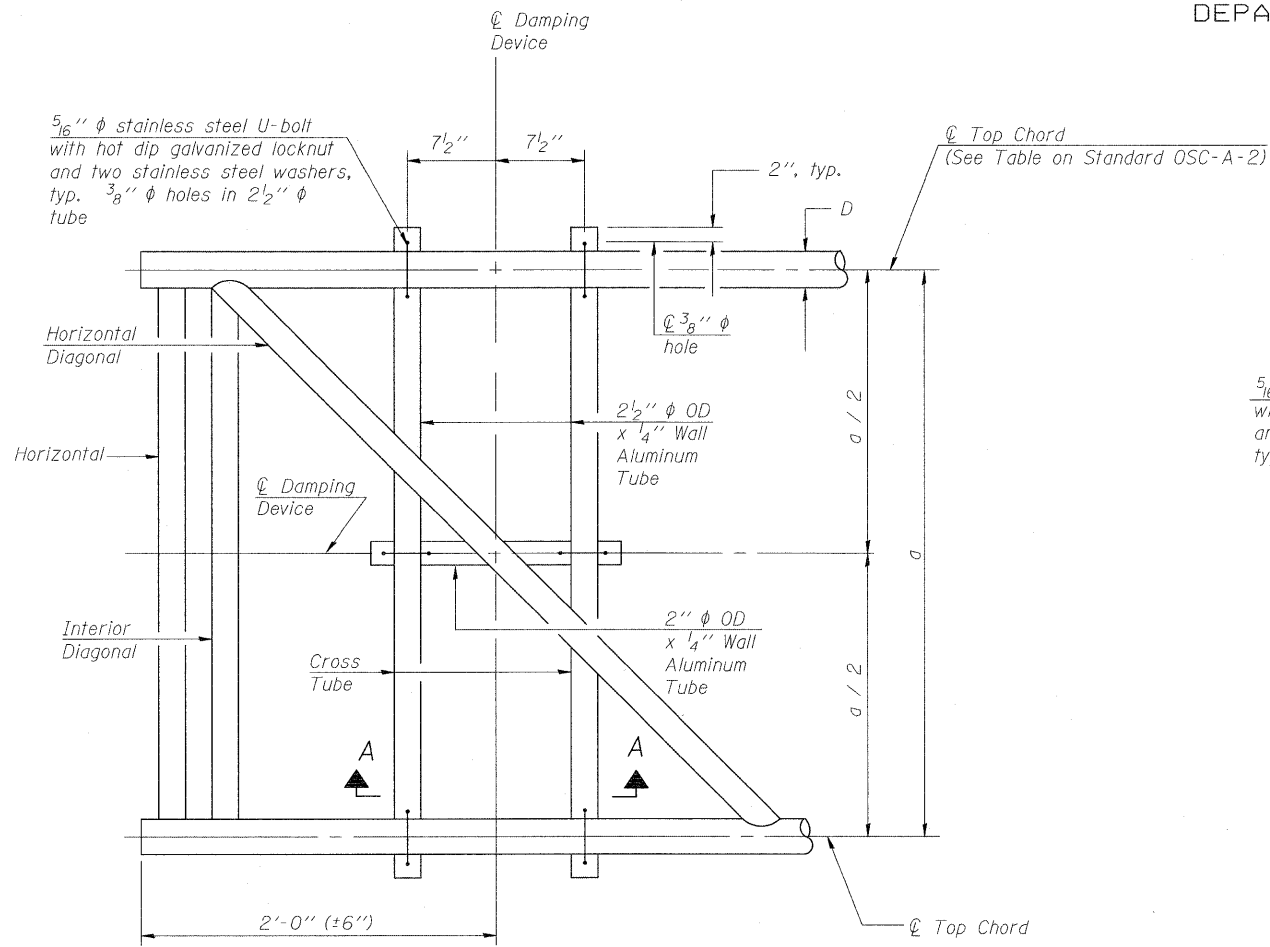
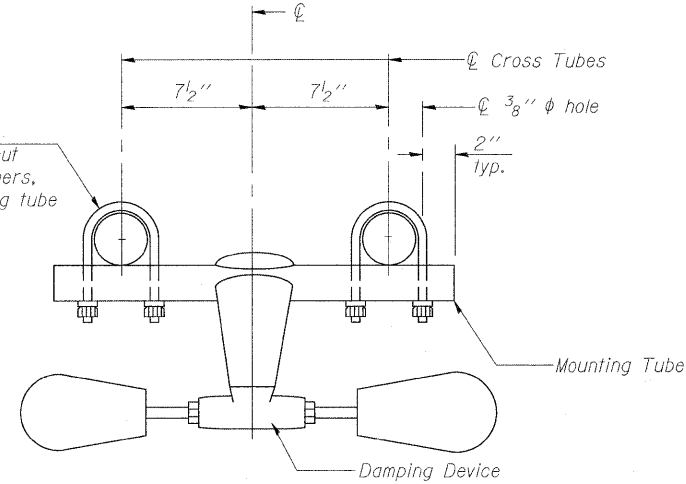


STATE OF ILLINOIS
DEPARTMENT OF TRANSPORTATION

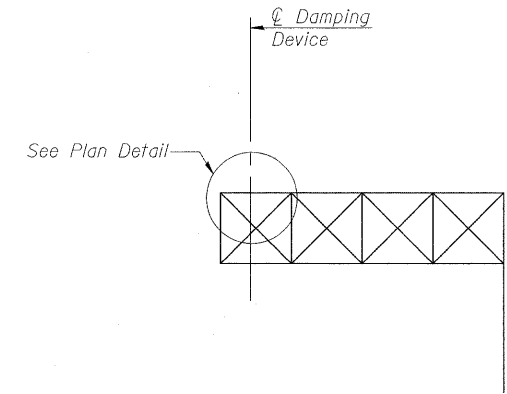


PLAN DETAIL

5/16" ϕ stainless steel U-bolt with hot dip galvanized locknut and two stainless steel washers, typ. 3/8" ϕ holes in 2 1/2" ϕ tube



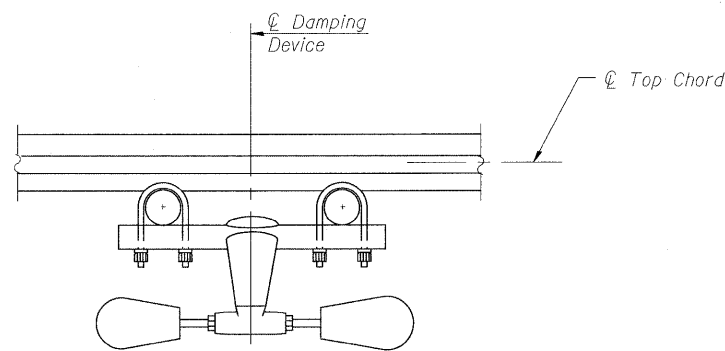
TRUSS DAMPING
DEVICE CONNECTION DETAIL



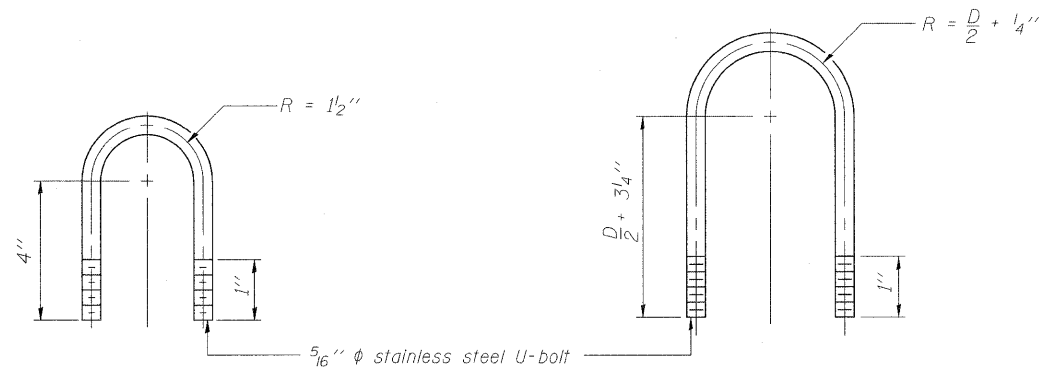
ELEVATION
Aluminum Cantilever
Sign Structure

GENERAL NOTES

- Damper: One damper per truss. (31 lbs. Stockbridge-Type Aluminum-29" minimum between ends of weights)
- Materials: Aluminum tubes shall be ASTM B221 alloy 6061 temper T6



SECTION A-A



DAMPING DEVICE MOUNTING
TUBE U-BOLT DETAIL
(Typical)

TOP CHORD TO CROSS TUBE
U-BOLT DETAIL
(Typical)

DESIGNED M.J.J.	200
CHECKED J.T.H.	EXAMINED
DRAWN M.J.J.	PASSED
CHECKED J.T.H./A.L.N.	ENGINEER OF BRIDGES AND STRUCTURES

OSC-A-D 12-1-08

CANTILEVER SIGN STRUCTURE DAMPING DEVICE						
THOUVENOT, WADE & MOERCHEN, INC. <small>SWANSEA • WATERLOO • EDWARDSVILLE • CARBONDALE • ST. CHARLES</small>		<small>CORPORATE OFFICE 4940 Old Collinsville Road Swansea, Illinois 62226 Tel: 618.624.4488 Fax: 618.624.6888</small>				
SHEET NO. 8 15 SHEETS		F.A.P. RTE.	SECTION	COUNTY	TOTAL SHEETS	SHEET NO.
		322	(58-64HB-1)B-1	MACON	149	103
		US ROUTE 51		CONTRACT NO. 74387		
		FED. ROAD DIST. NO. 7 ILLINOIS		FED. AID PROJECT		

