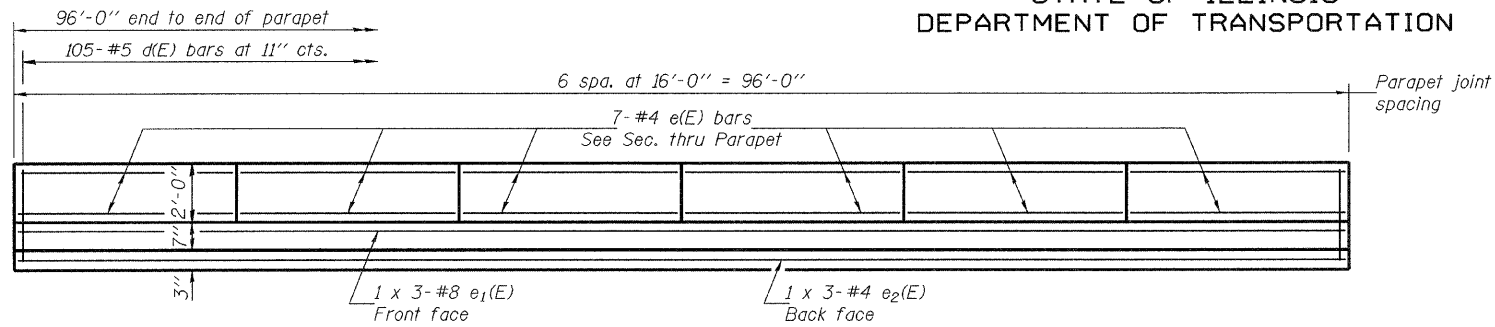
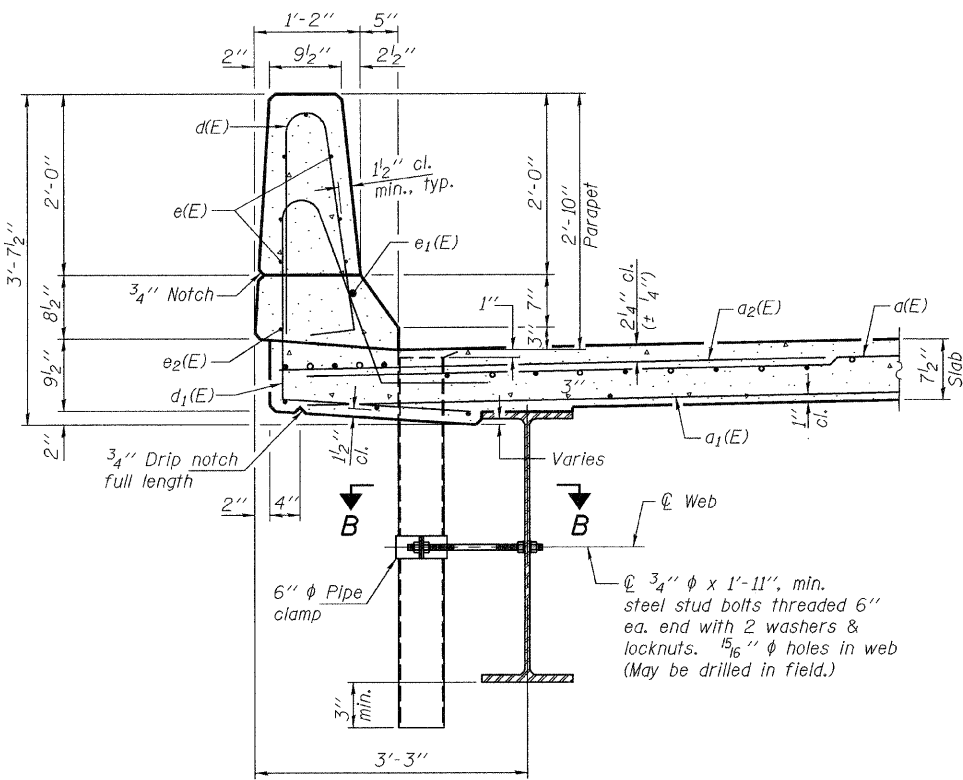


STATE OF ILLINOIS
DEPARTMENT OF TRANSPORTATION

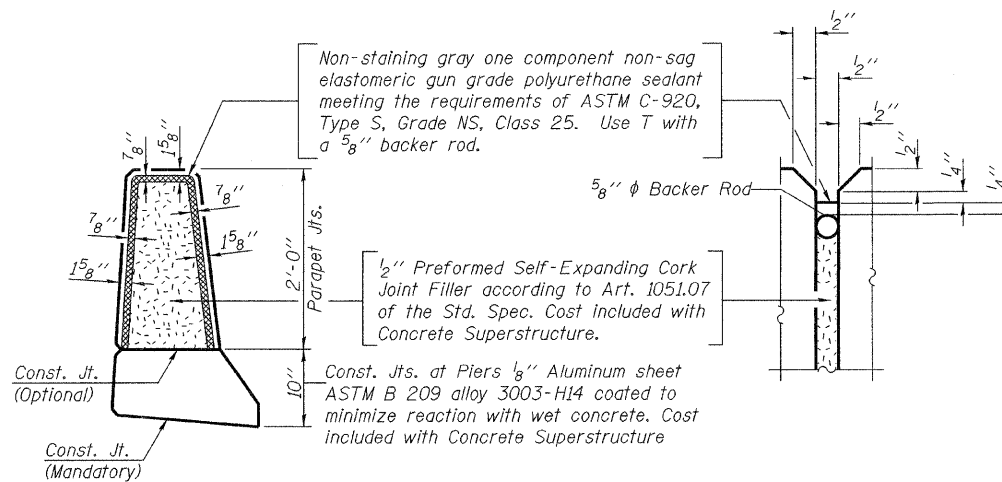


INSIDE ELEVATION OF PARAPET

MIN. BAR LAPS
(Parapet)
#4 bar = 1'-4"
#8 bar = 3'-5"

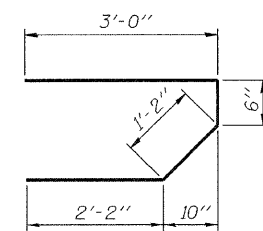


SECTION THRU PARAPET

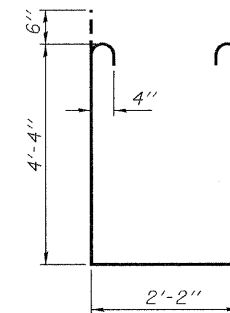


PARAPET JOINT DETAILS

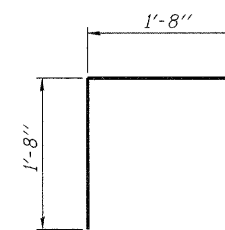
Notes:
The exterior surfaces of the floor drains shall be painted with the finish coat as specified in the special provisions for Cleaning and Painting New Metal Structures. The exterior surfaces of the drains shall be cleaned according to Society of Protective Coatings Spec. SSPC-SP1 prior to painting.
Fiberglass pipe shall conform to ASTM D 2996, with short-time rupture strength hoop tensile stress of 30,000 p.s.i. minimum. Galvanize clamping device according to AASHTO M 232.



BAR s(E)



BAR s1(E)

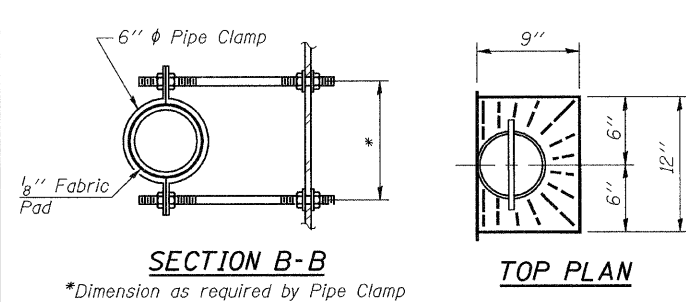


BAR v(E)

**SUPERSTRUCTURE
BILL OF MATERIAL**

Bar	No.	Size	Length	Shape
a(E)	384	#5	21'-1"	—
a1(E)	272	#5	20'-3"	—
a2(E)	192	#6	6'-0"	—
b(E)	138	#5	33'-4"	—
b1(E)	168	#5	25'-7"	—
d(E)	210	#5	5'-7"	┘
d1(E)	210	#5	7'-11"	┘
e(E)	84	#4	15'-8"	—
e1(E)	6	#8	34'-2"	—
e2(E)	6	#4	32'-10"	—
m(E)	20	#6	21'-3"	—
m1(E)	24	#6	8'-10"	—
m2(E)	8	#6	7'-0"	—
m3(E)	4	#6	3'-4"	—
m4(E)	4	#6	2'-11"	—
s(E)	96	#5	6'-10"	┘
s1(E)	92	#4	11'-10"	┘
v(E)	88	#5	3'-4"	┘
Reinforcement Bars, Epoxy Coated		Pound	32510	
Concrete Superstructure		Cu. Yds.	156.4	

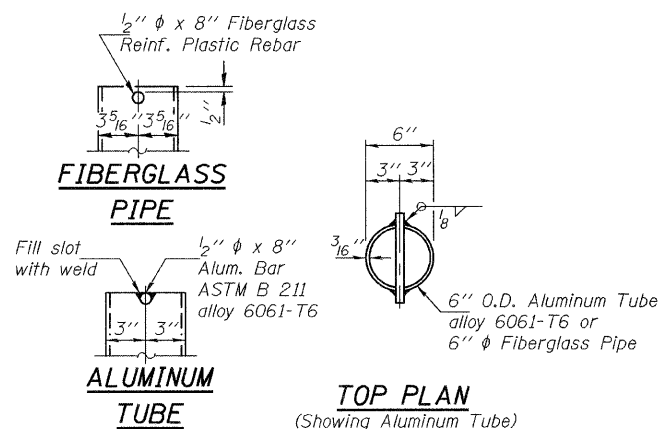
Bars indicated thus 1 x 3-#5 etc. indicates 1 line of bars with 3 lengths per line.



SECTION B-B

TOP PLAN

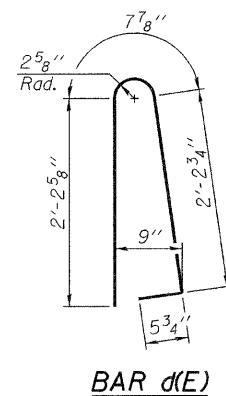
*Dimension as required by Pipe Clamp



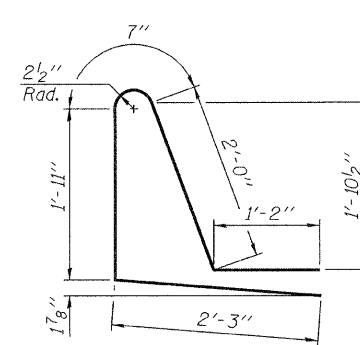
**FIBERGLASS
PIPE**

**ALUMINUM
TUBE**

TOP PLAN
(Showing Aluminum Tube)



BAR d(E)



BAR d1(E)

**SUPERSTRUCTURE DETAILS
STRUCTURE NO. 079-0050**

DESIGNED	J.E. KRAMER
CHECKED	P.E. COPPERNOLL
DRAWN	AMBER SEIBER htd
CHECKED	GRA

EXAMINED	Thomas J. Domagalaki ENGINEER OF BRIDGE DESIGN
PASSED	Ralph E. Anderson ENGINEER OF BRIDGES AND STRUCTURES

SHEET NO. 10 21 SHEETS	F.A.P. RTE.	SECTION	COUNTY	TOTAL SHEETS	SHEET NO.
	682	21BR, 21-I-1	RANDOLPH	77	49
CONTRACT NO. 76126					
FED. ROAD DIST. NO. ILLINOIS FED. AID PROJECT					