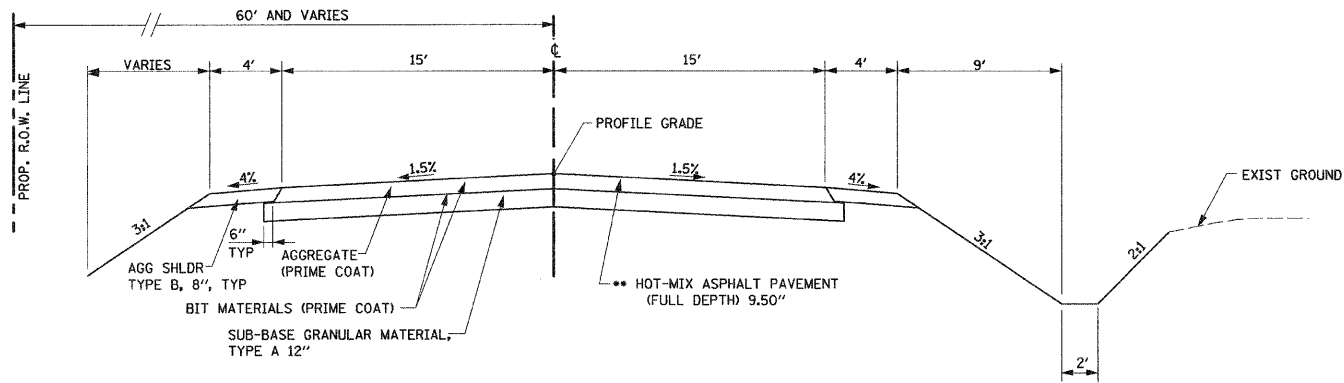
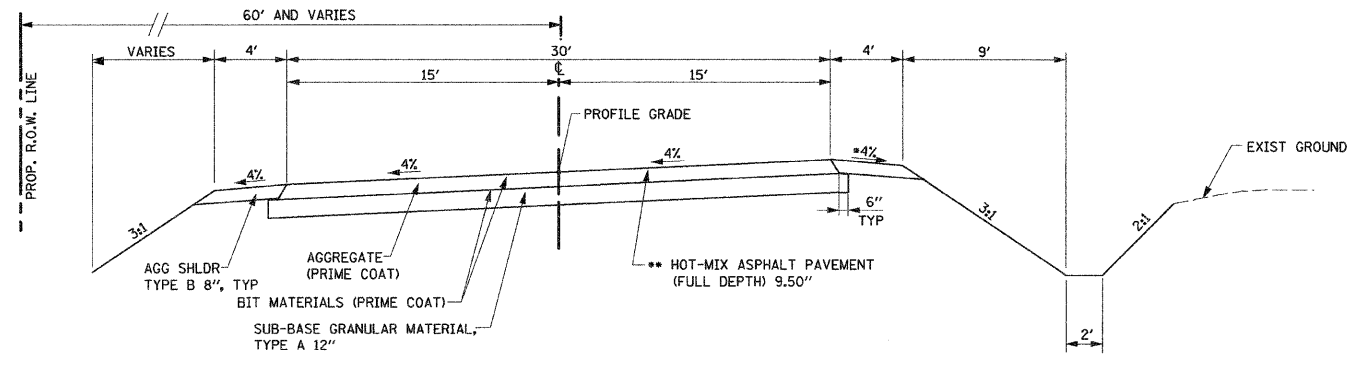


F.A.P. RTE.	SECTION	COUNTY	TOTAL SHEETS	SHEET NO.
310	60-16	MADISON	662	18
STA.		TO STA.		
FED. ROAD DIST. NO. 8 [ILLINOIS]		FED. AID PROJECT		
CONTRACT NO. 76311				



**TANGENT TYPICAL SECTION**  
**ACCESS ROAD 2**  
 STA 10+18.00 TO STA 11+03.22  
 STA 15+02.89 TO STA 15+77.99

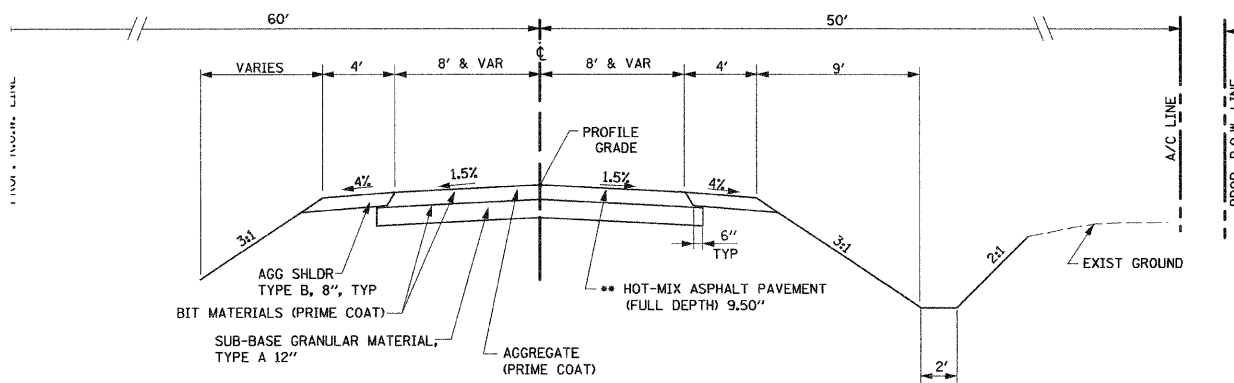


**SUPERELEVATED TYPICAL SECTION**  
**ACCESS ROAD 2**  
 STA 11+03.22 TO STA 15+02.89  
 STA 15+77.99 TO STA 17+34.60

\*\*HOT-MIX ASPHALT PAVEMENT (FULL DEPTH) 9.50" WILL CONSIST OF:  
 HOT-MIX ASPHALT SURFACE COURSE, MIX C, N70, 2" AND  
 HOT-MIX ASPHALT BINDER COURSE, IL 19.0, N70, 7.50"

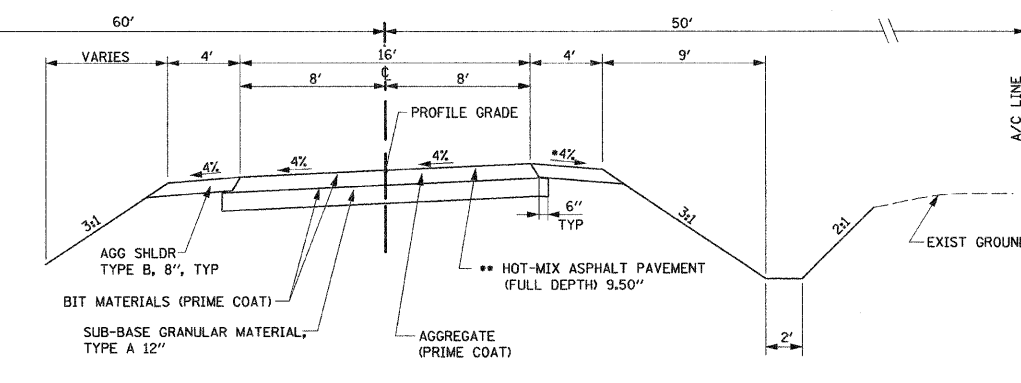
**STRUCTURAL DESIGN DATA**  
 ACCESS ROAD 2

STRUCTURAL DESIGN TRAFFIC:	YEAR	2014
PV= 226	SU= 23	MU= 8
ROAD/STREET CLASSIFICATION:	CLASS	IV
PERCENT OF STRUCTURAL DESIGN TRAFFIC IN DESIGN LANE:		
P= 50	S= 50	M= 50
TRAFFIC FACTOR:	ACTUAL TF=	0.0087
MINIMUM TF=	N/A	AC TYPE= 20
SUBGRADE SUPPORT RATING:		
SSR=	POOR	(STA 10+00.00 TO 41+32.06)



**TANGENT TYPICAL SECTION**  
**ACCESS ROAD 2**  
 STA 17+34.60 TO STA 25+99.68  
 STA 32+20.51 TO STA 41+07.65

TURNAROUND PAVEMENT AT STA 40+89.84 (LT/RT) TO BE  
 HMA (FULL DEPTH) 9.5" & SUB-BASE GRANULAR MATERIAL,  
 TYPE A 12"



**SUPERELEVATED TYPICAL SECTION**  
**ACCESS ROAD 2**  
 STA 25+99.68 TO STA 32+20.51

\*\*HOT-MIX ASPHALT PAVEMENT (FULL DEPTH) 9.50" WILL CONSIST OF:  
 HOT-MIX ASPHALT SURFACE COURSE, MIX C, N70, 2" AND  
 HOT-MIX ASPHALT BINDER COURSE, IL 19.0, N70, 7.50"

\* WHEN THE SUPERELEVATION RATE OF THE PAVEMENT IS BETWEEN 0% AND 4%, THE SHOULDER SHALL BE SLOPED AT 4%. WHEN THE SUPERELEVATION RATE OF THE PAVEMENT EXCEEDS 4%, THE SHOULDER SHALL BE SLOPED SO THAT THE ALGEBRAIC DIFFERENCE BETWEEN THE PAVEMENT AND SHOULDER WILL NOT BE GREATER THAN 8%.

REVISIONS	
NAME	DATE

ILLINOIS DEPARTMENT OF TRANSPORTATION

**TYPICAL SECTIONS**

SCALE: NO SCALE  
 DATE: 09-04-09

DRAWN BY: U.J.  
 CHECKED BY: J.J.C.