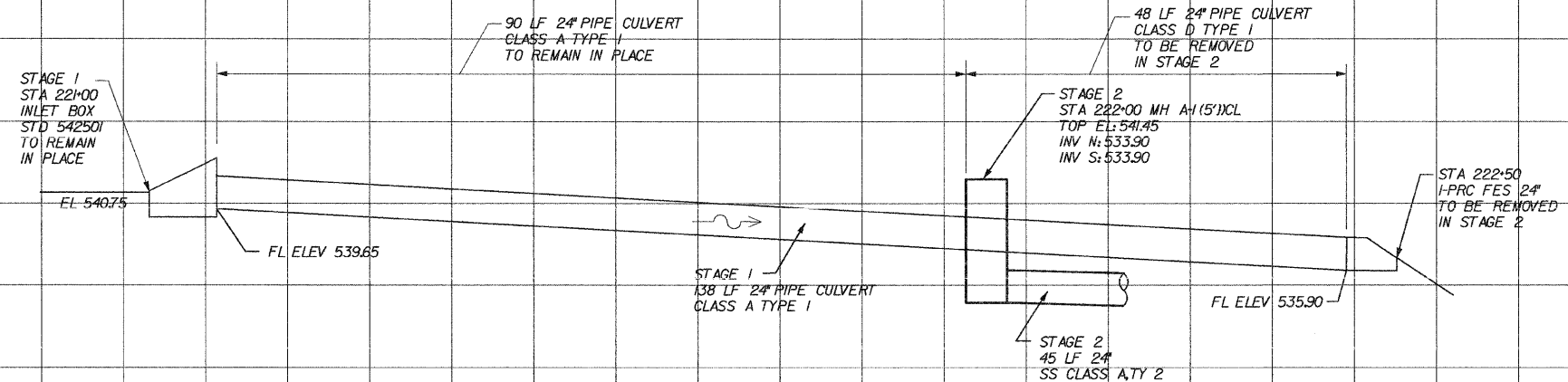
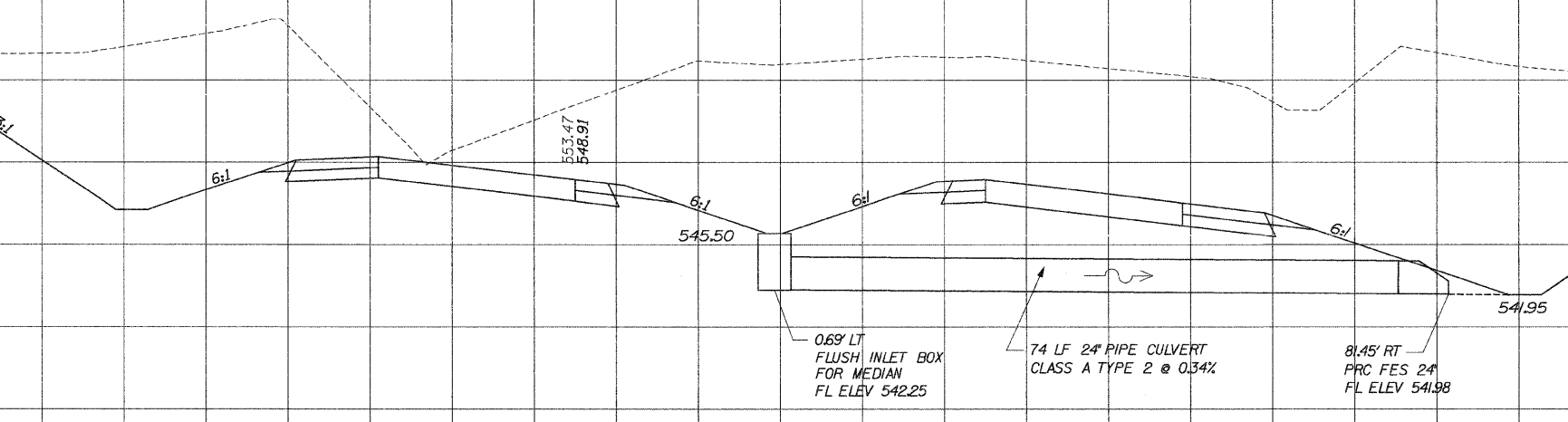


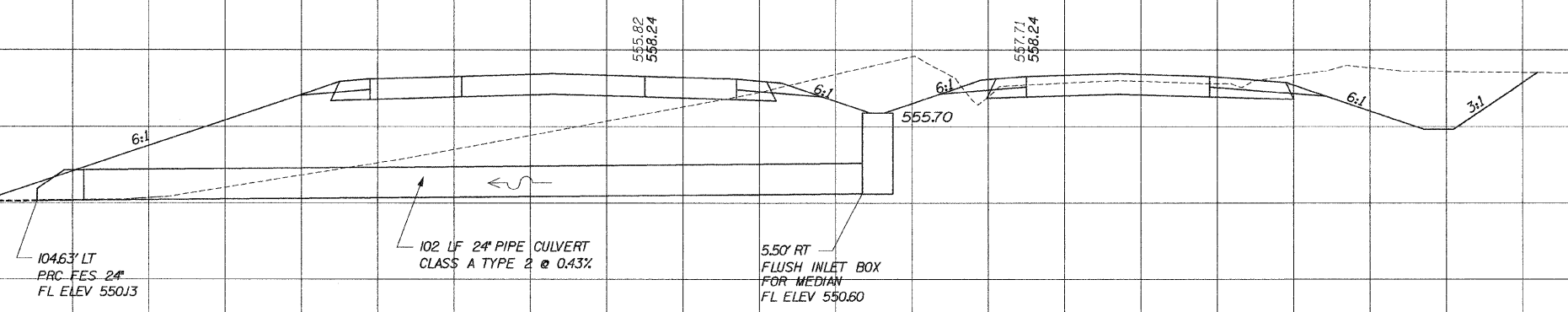
F. A. REC.	SECTION	COUNTY	TOTAL SHEETS	SHEET NO.
310	60-16	MADISON	662	195
STA. TO STA.		CONTRACT NO. 76311		
FED. ROAD DIST. NO.		ILLINOIS	FED. AID PROJECT	



221+00 TO 222+50
FAP 310

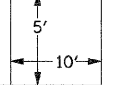


219+50.00
FAP 310



203+50.00
FAP 310

PIPE CULVERTS



SURVEY PLOTTED
 NOTE BOOK TEMPLATE
 AREAS CHECKED

SURVEY PLOTTED
 NOTE BOOK TEMPLATE
 AREAS CHECKED