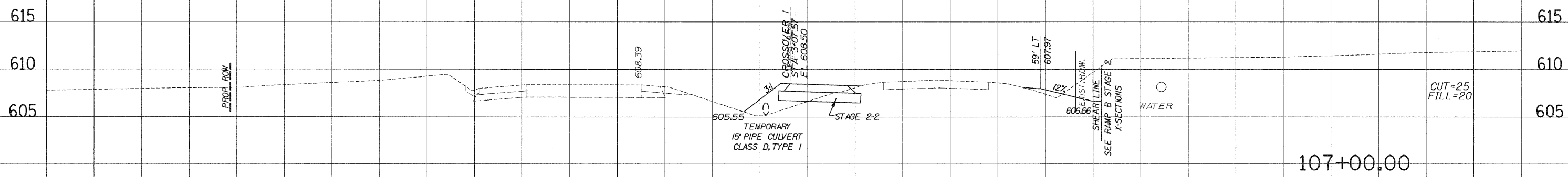
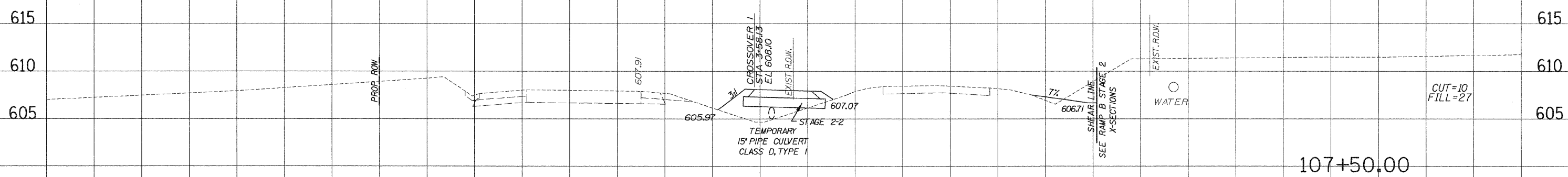
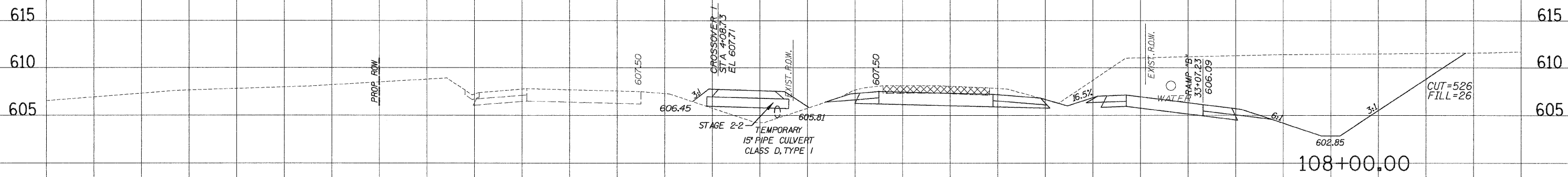


F. A. NO.	SECTION	COUNTY	TOTAL SHEETS	SHEET NO.
310	60-16	MADISON	662	403
STA.		TO STA.		
FED. ROAD DIST. NO. 3		ELLINGS	FED. AID PROJECT	
CONTRACT NO. 76311				



F.A.P. ROUTE 310
STAGE 2
 150



SURVEIL PLOTTED
 NOTE BOOK NO. _____
 AREAS CHECKED _____

SURVEIL PLOTTED
 NOTE BOOK NO. _____
 AREAS CHECKED _____