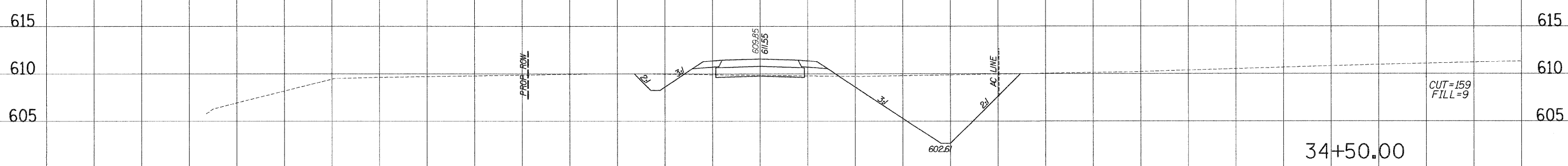
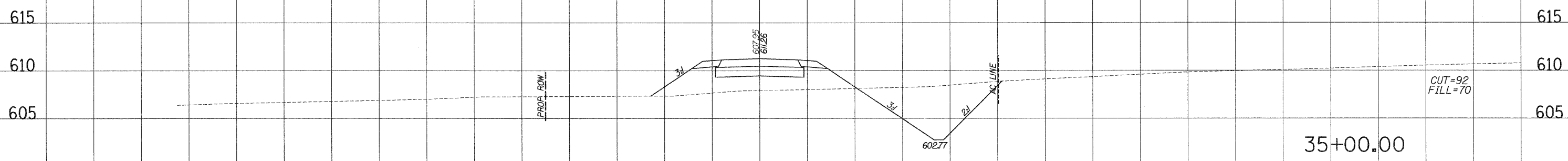
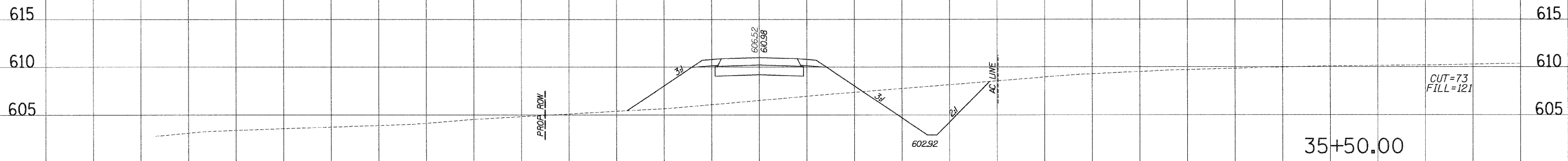
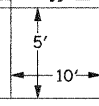


F. A. RTE.	SECTION	COUNTY	TOTAL SHEETS	SHEET NO.
310	60-16	MADISON	662	621
STA.		TO STA.		
FED. ROAD DIST. NO. 9		ILLINOIS	FED. AID PROJECT	
CONTRACT NO. 76311				



ACCESS ROAD #2



DATE: PLOTTED: _____
 NO. BOOK: _____
 NO. AREAS CHECKED: _____

DATE: PLOTTED: _____
 NO. BOOK: _____
 NO. AREAS CHECKED: _____