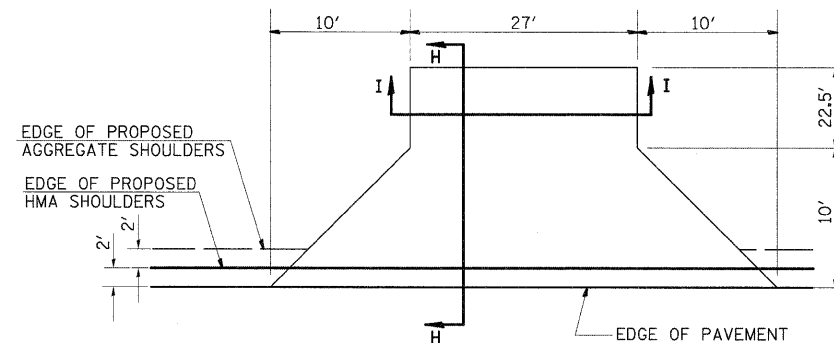
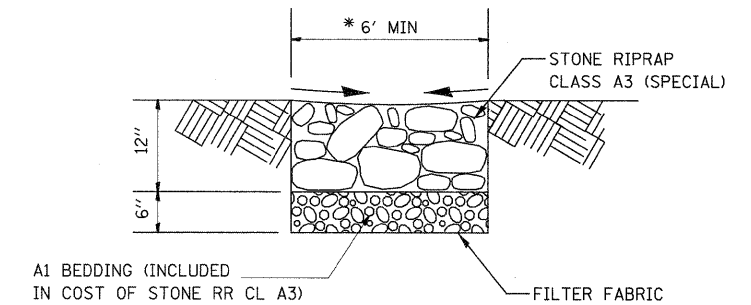


PLAN  
STA. 127+09.48 LT

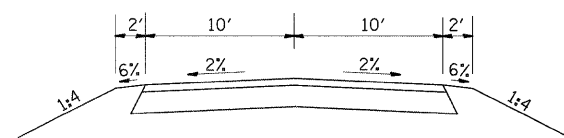


PLAN  
STA. 127+30.96 RT

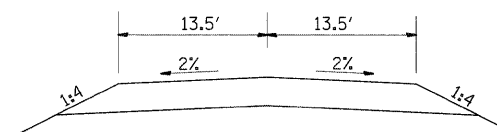


\* PROVIDES DRAINAGE DOWN EMBANKMENT FROM BRIDGE APPROACH PAVEMENT

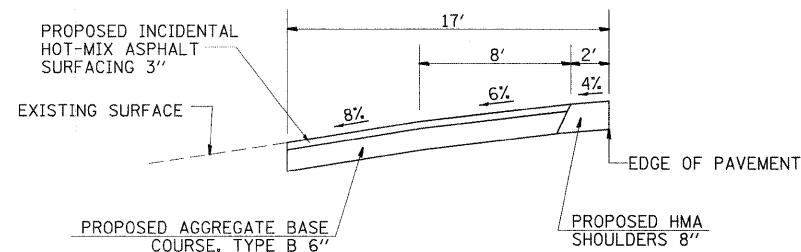
DRAINAGE DETAIL  
SEE PLAN VIEW FOR LOCATIONS  
SECTION TAKEN THRU ROADWAY EMBANKMENT



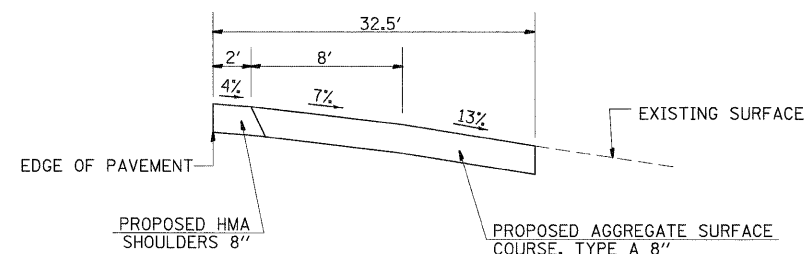
SECTION G-G



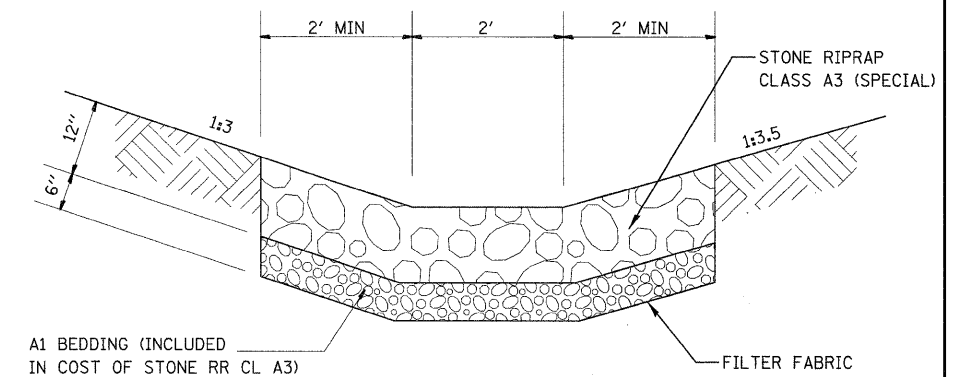
SECTION I-I



SECTION F-F  
ENTRANCE DETAILS



SECTION H-H  
ENTRANCE DETAILS



SECTION A-A  
STA 123+31 TO STA 123+59.2 LT  
SECTION TAKEN THRU DITCH (SEE PLAN VIEW)

FILE NAME =	USER NAME = tharpr1	DESIGNED -	REVISED -
ct:\pw\work\p1\dot\tharpr1\dms52692\0876	18-shit-details.dgn	DRAWN -	REVISED -
	PLOT SCALE = 50.000' / IN.	CHECKED -	REVISED -
	PLOT DATE = 3/25/2010	DATE -	REVISED -

STATE OF ILLINOIS  
DEPARTMENT OF TRANSPORTATION

MISCELLANEOUS DETAILS  
SN 031-0013(E) 0041(P), SECTION 401-2BR

SCALE: N/A SHEET NO. 3 OF 3 SHEETS STA. TO STA.

F.A.S. RTE.	SECTION	COUNTY	TOTAL SHEETS	SHEET NO.
739	1BR, 1-2BR, 401-2BR	GREENE	150	59
CONTRACT NO. 76410				
FED. ROAD DIST. NO. ILLINOIS FED. AID PROJECT				