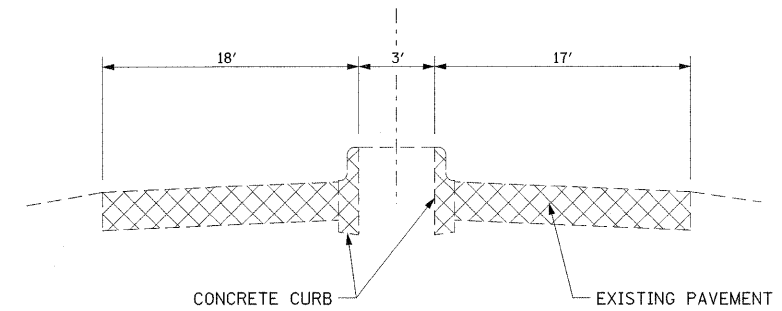
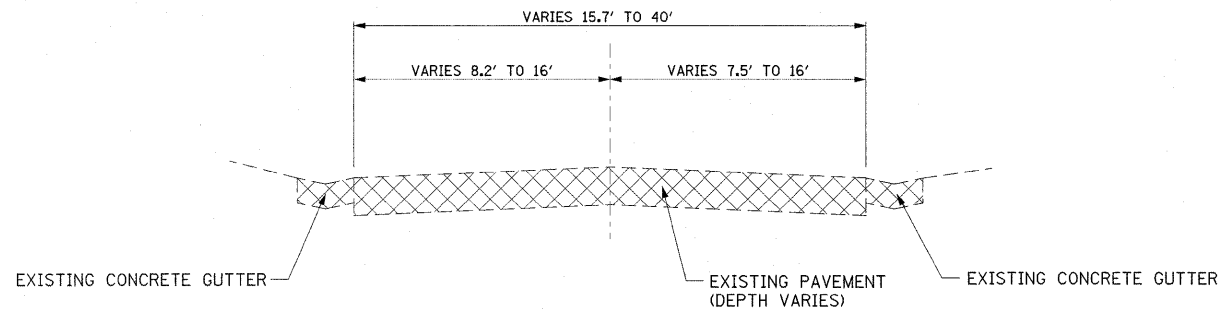


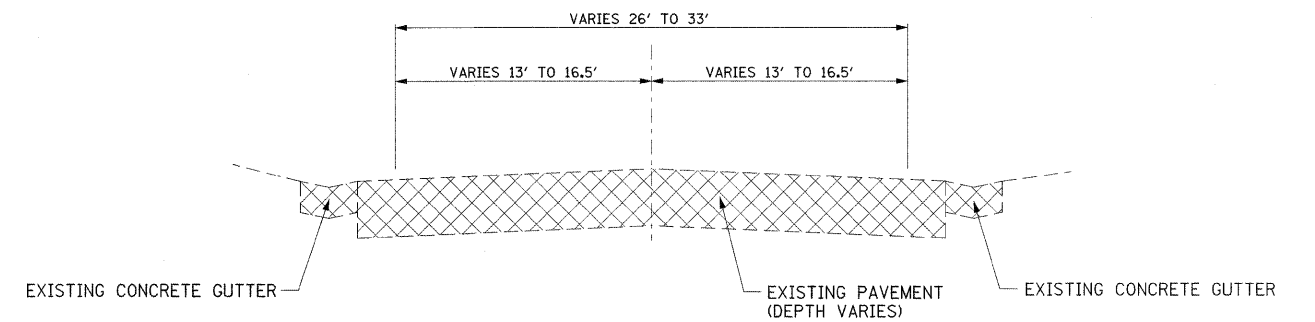
EXISTING TYPICAL SECTION - IL RTE 159
STA 144+68 TO STA 156+02



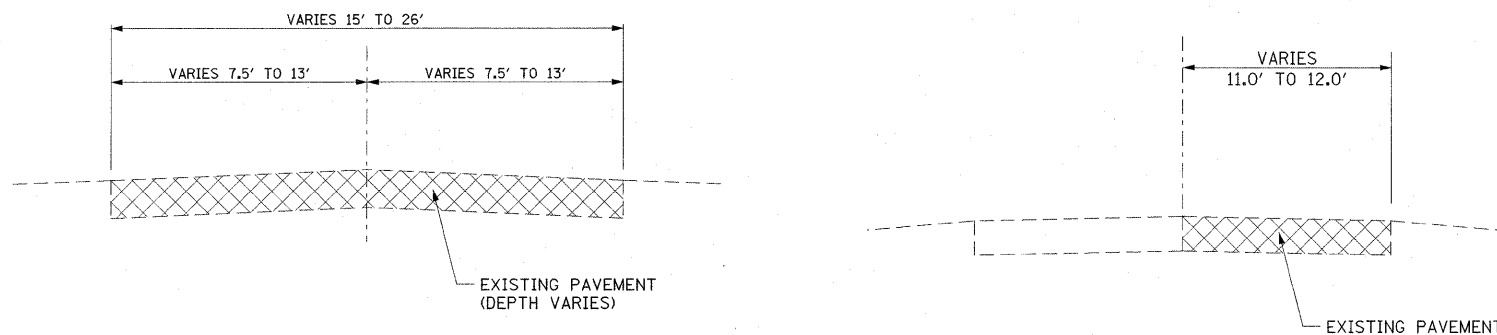
EXISTING TYPICAL SECTION - SIDEROADS
IDLEWOOD DR STA 0+23.92 TO STA 0+66.00 (PAVEMENT DEPTH 9")



EXISTING TYPICAL SECTION - SIDEROADS
CHEROKEE DR STA 0+00.00 TO STA 0+74.00
IDLEWOOD DR STA 0+66.00 TO STA 1+20.00 (PAVEMENT DEPTH 9")
RAILROAD AVE
LOOP ST STA 0+00 TO STA 2+70.00 (PAVEMENT DEPTH 4")
LOOP ST / S. CHESTNUT ST STA 16+50 TO STA 21+90.00 (PAVEMENT DEPTH 4")

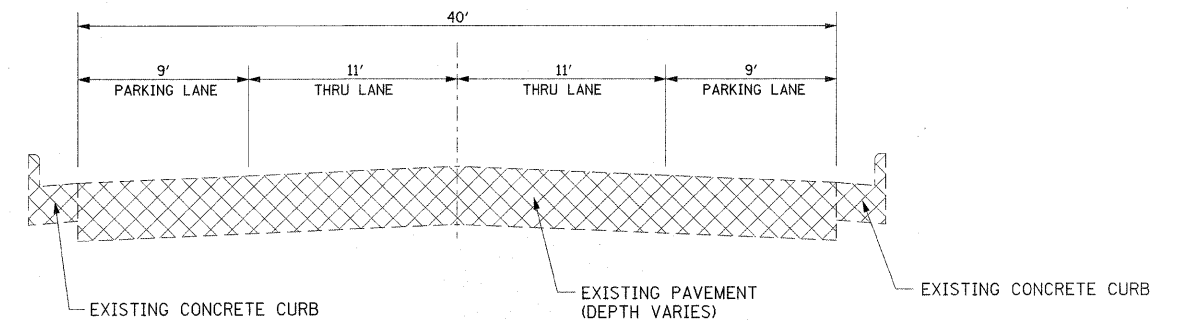


EXISTING TYPICAL SECTION - SIDEROADS
S. CLINTON ST STA 7+26.14 TO STA 12+26.66 (PAVEMENT DEPTH 7")



EXISTING TYPICAL SECTION - SIDEROADS
ANGLE ST
HILL ST STA 0+00.00 TO STA 0+87.00 (PAVEMENT DEPTH 2")
ALLEY @ STA 149+27.00 - STA 0+00.00 TO STA 1+60.00 (PAVEMENT DEPTH 1 3/4")
JIM'S ALLEY STA 0+00.00 TO 1+55.00 (PAVEMENT DEPTH 3 1/4")
ALLEY @ STA 152+02.58 - STA 10+00.00 TO STA 10+60.00

EXISTING TYPICAL SECTION - SIDEROADS
ALLEY @ STA 156+02.00 - STA 11+20.00 TO STA 12+75.00 (PAVEMENT DEPTH 3")



EXISTING TYPICAL SECTION - SIDEROADS
CHURCH ST STA 27+35.00 TO STA 32+67.00 (PAVEMENT DEPTH 11")

NOTES:
MILLING ONLY FROM
STA 27+35 TO STA 28+55 AND
STA 32+35 TO STA 32+67

- EXISTING MATERIAL TO BE REMOVED

FILE NAME = P:\Projects\513501\CA00\DWG\0876830-shd	USER NAME = default typical.dgn	DESIGNED - DRAWN -	REVISED - REVISED -	STATE OF ILLINOIS DEPARTMENT OF TRANSPORTATION	EXISTING TYPICAL SECTIONS			F.A.P. RTE. 600	SECTION 60-(30,31,128)-1	COUNTY MADISON/ST. CLAIR	TOTAL SHEETS 399	SHEET NO. 16
	PLOT SCALE = 50.0000' / IN.	CHECKED -	REVISED -		SCALE: NTS	SHEET NO. 2 OF 11 SHEETS	STA. N/A	TO STA. N/A	CONTRACT NO. 76830			
	PLOT DATE = 10/9/2009	DATE -	REVISED -		FED. ROAD DIST NO. ILLINOIS FED. AID PROJECT							