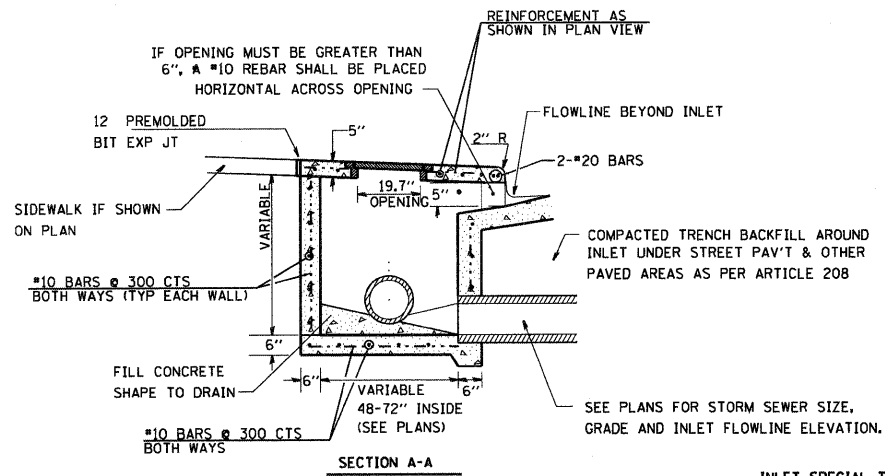
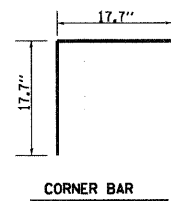
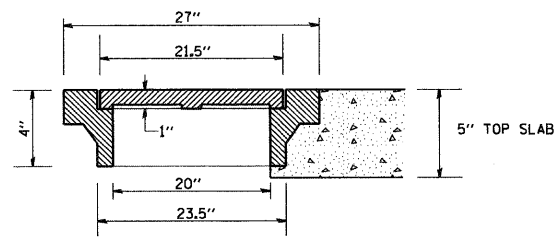
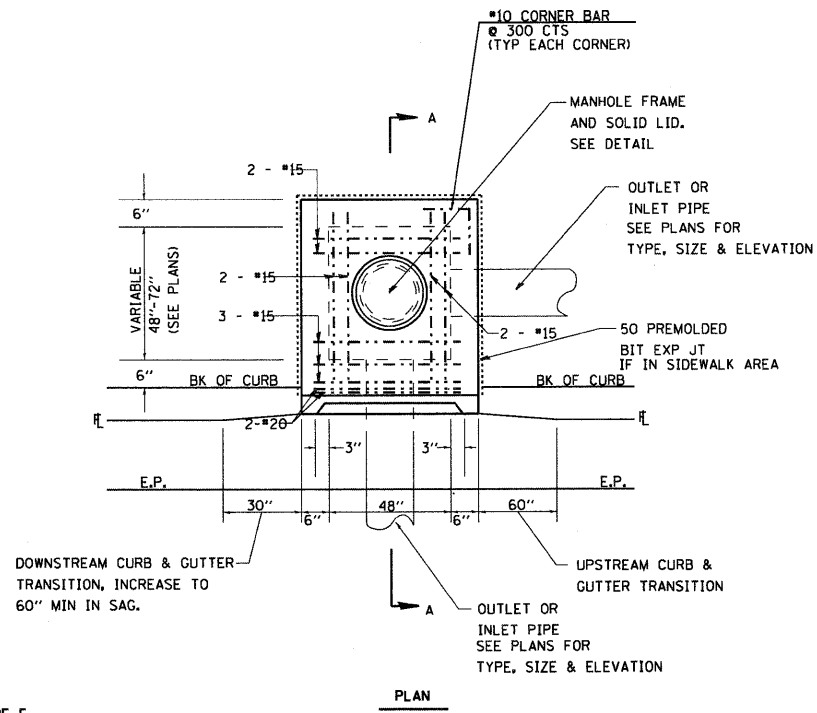


NOTES:

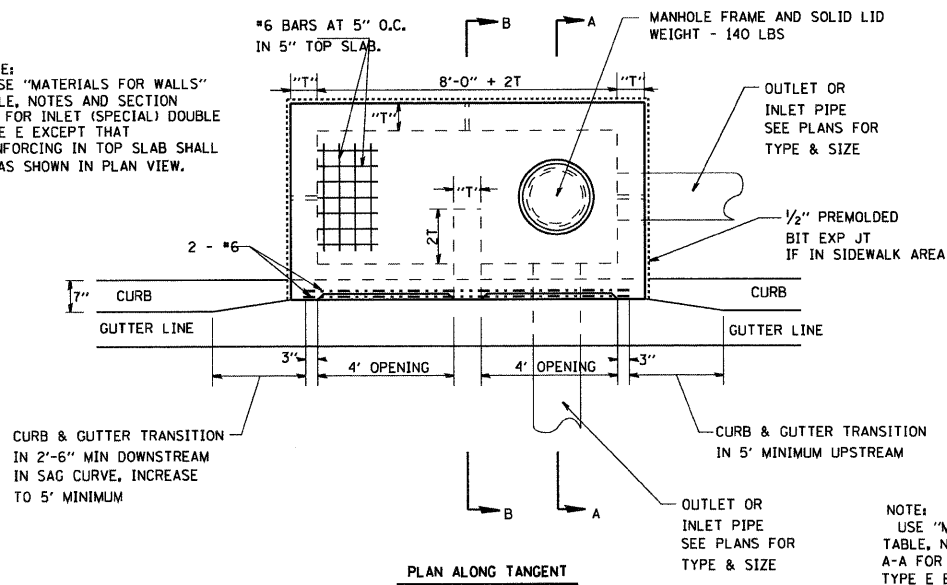
1. THE CONTRACT UNIT PRICE OF EACH FOR INLET, (SPECIAL) TYPE E SHALL INCLUDE ALL LABOR AND MATERIALS NECESSARY TO CONSTRUCT THE INLET IN ACCORDANCE WITH ARTICLE 602 OF THE STANDARD SPECIFICATIONS AND AS SHOWN HEREIN.
2. CLASS SI CONCRETE SHALL BE USED THROUGHOUT.
3. THE FRONT EDGE OF THE TOP SLAB SHALL BE EITHER STRAIGHT OR RADIUSED AS NEEDED TO CONFORM WITH THE SHAPE OF THE ADJACENT CURB AND GUTTER.



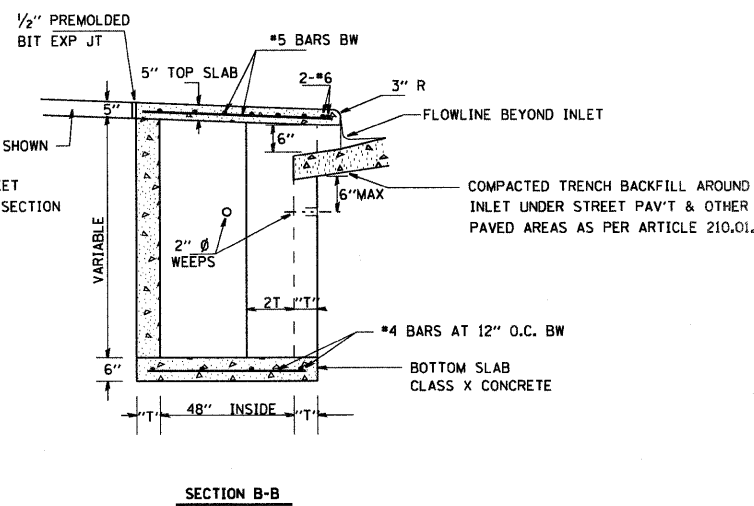
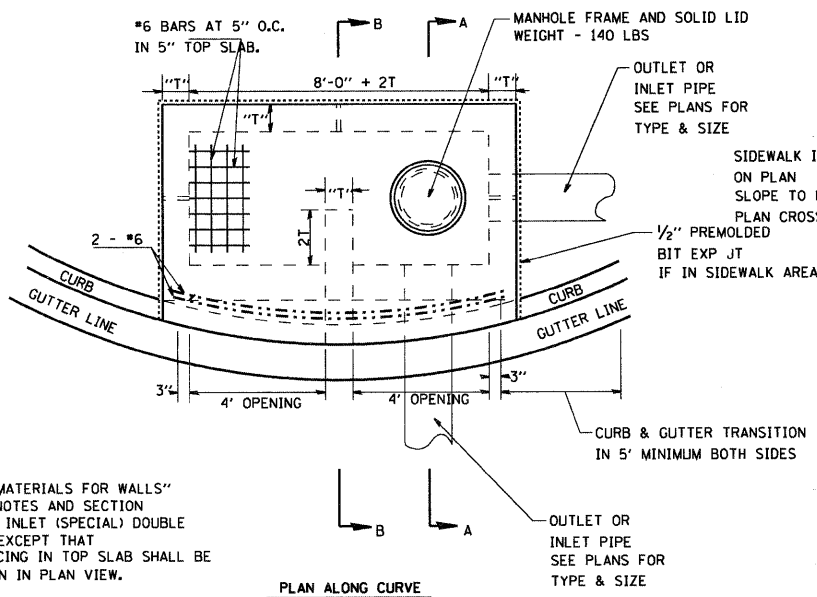
INLET SPECIAL TYPE E



NOTE:
USE "MATERIALS FOR WALLS"
TABLE, NOTES AND SECTION
A-A FOR INLET (SPECIAL) DOUBLE
TYPE E EXCEPT THAT
REINFORCING IN TOP SLAB SHALL
BE AS SHOWN IN PLAN VIEW.



NOTE:
USE "MATERIALS FOR WALLS"
TABLE, NOTES AND SECTION
A-A FOR INLET (SPECIAL) DOUBLE
TYPE E EXCEPT THAT
REINFORCING IN TOP SLAB SHALL BE
AS SHOWN IN PLAN VIEW.



4. BRICKS, CONCRETE BLOCKS AND REINFORCED CONCRETE BLOCKS TO BE LAID IN FULL MORTAR BEDS WITH FLUSH JOINTS.
5. WHEN CONSTRUCTED OF MONOLITHIC CONCRETE, USE #4 REINFORCING BARS SPACED AT 12" CENTERS BOTH WAYS IN FLOOR SLAB AND WALLS.
6. FOR SECTION A-A, SEE ABOVE

INLET SPECIAL DOUBLE TYPE E

FILE NAME =	USER NAME = default	DESIGNED -	REVISED -
pa\projects\513581\cadd\dgn\0876838-sh1	drawn-details.dgn	DRAWN -	REVISED -
PLOT SCALE = 20.0000' / IN.	CHECKED -	REVISED -	REVISED -
PLOT DATE = 8/25/2009	DATE -	REVISED -	REVISED -

STATE OF ILLINOIS
DEPARTMENT OF TRANSPORTATION

SPECIAL INLET TYPE E DETAILS

SCALE: SHEET NO. 2 OF 4 SHEETS STA. TO STA.

F.A.P. RTE.	SECTION	COUNTY	TOTAL SHEETS	SHEET NO.
600	60-(30,31,128)-1	MADISON/ST. CLAIR	399	135
CONTRACT NO. 76830				
FED. ROAD DIST. NO. ILLINOIS FED. AID PROJECT				