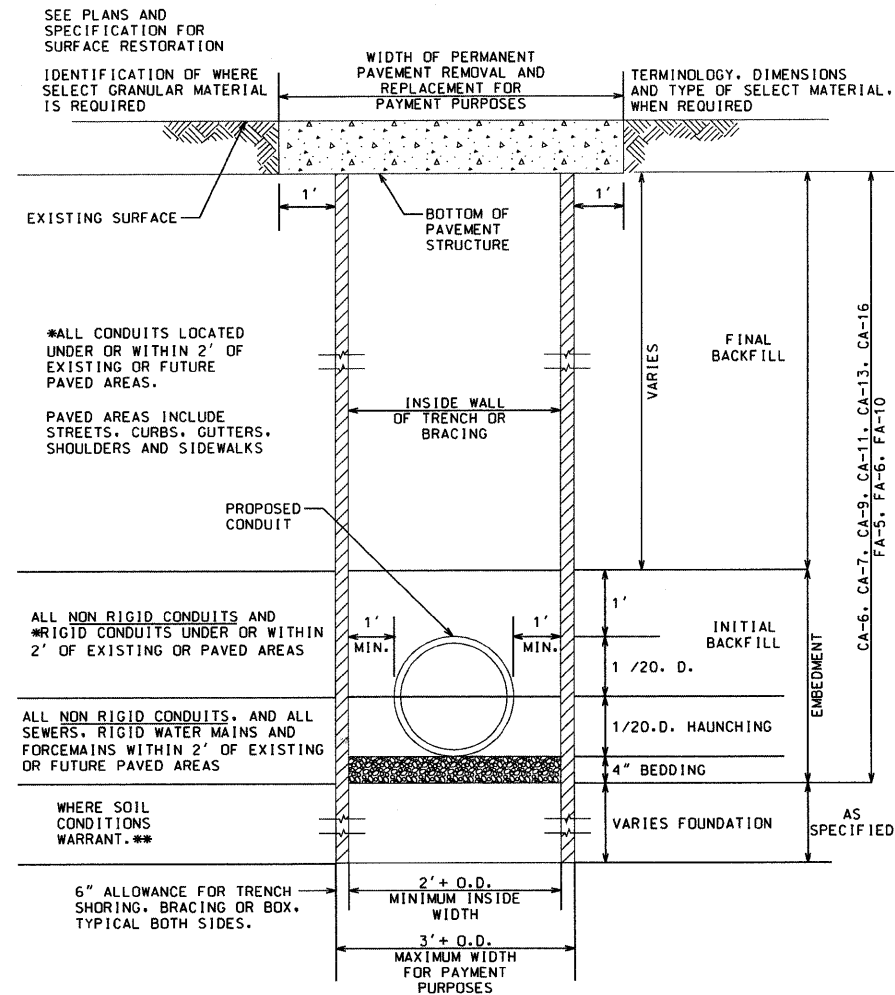


DETAIL SHEET

NOT TO SCALE



*INDICATES ELIGIBLE FOR PAYMENT AS SELECT GRANULAR BACKFILL OTHERWISE INCIDENTAL TO THE PIPE.

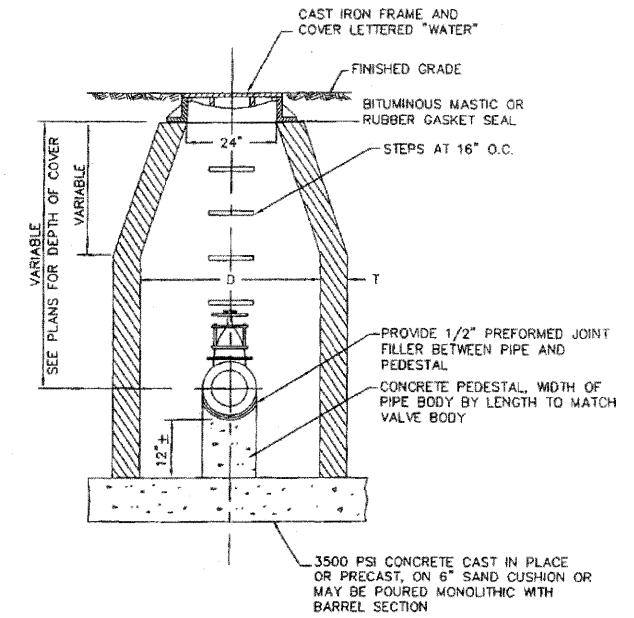
**INDICATES ELIGIBLE FOR PAYMENT AS SELECT FOUNDATION MATERIAL.

NON RIGID CONDUITS ARE DEFINED AS FLEXIBLE THERMOPLASTIC PIPE AND/OR CORRUGATED METAL PIPE.

NOTE: TRENCH BOX SHALL NOT EXTEND BELOW TOP OF PIPE. HOWEVER IT SHALL NOT EXCEED 2 FEET FROM THE BOTTOM OF THE TRENCH.

TRENCH DETAIL

MATERIAL WALL THICKNESS (T)
 PRECAST CONC. - MIN. 1/12 "D"
 CAST-IN-PLACE CONC. MIN. 6"



NOTE: VALVE VAULT DIA. SHALL BE 48" FOR 8" AND SMALLER VALVES AND 60" FOR 10" AND LARGER VALVES.
 D = DIAMETER OF MANHOLE

TYPICAL VALVE VAULT DETAIL

FILE NAME =	USER NAME = default	DESIGNED -	REVISED -	STATE OF ILLINOIS DEPARTMENT OF TRANSPORTATION	UTILITY RELOCATION DETAILS	F.A.P. RTE.	SECTION	COUNTY	TOTAL SHEETS	SHEET NO.	
pr\projects\513501\cadd\dgn\0876830-shd	drain-details.dgn	DRAWN -	REVISED -			600	60-(30,31,128)-1	MADISON/ST. CLAIR	399	137	
	PLOT SCALE = 20,0000 ' / IN.	CHECKED -	REVISED -			CONTRACT NO. 76830					
	PLOT DATE = 8/25/2009	DATE -	REVISED -			FED. ROAD DIST. NO. ILLINOIS FED. AID PROJECT					
					SCALE:	SHEET NO. 4 OF 4 SHEETS		STA.	TO STA.		