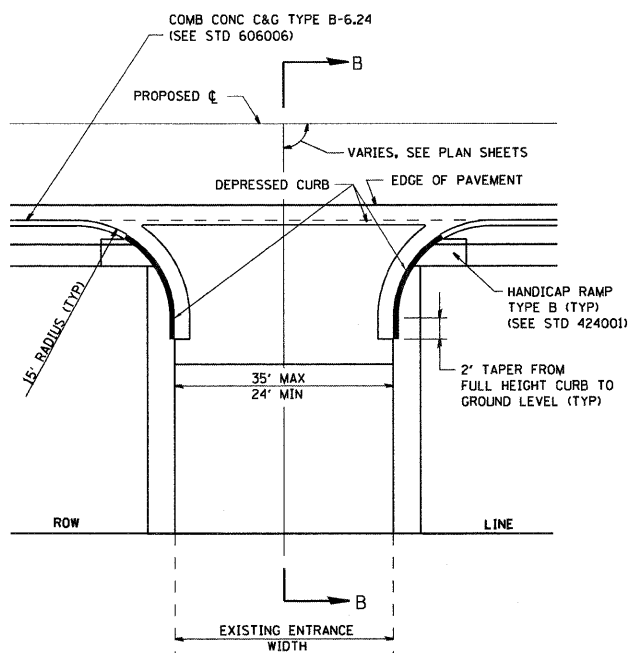
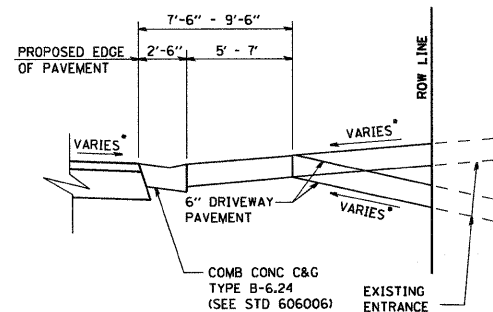


PE DETAIL A
PRIVATE ENTRANCE WITH PCC SIDEWALK
ADJACENT TO ROADWAY PAVEMENT WITH
CONCRETE CURB & GUTTER TYPE B-6.24

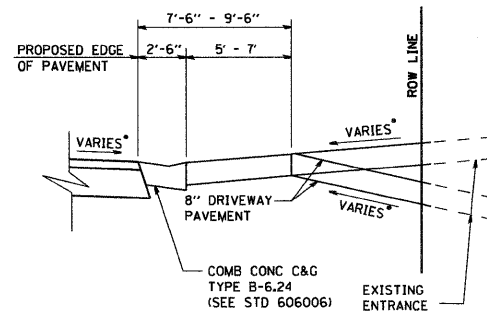


CE DETAIL B
COMMERCIAL ENTRANCE WITH PCC
SIDEWALK ADJACENT TO ROADWAY
PAVEMENT WITH CONCRETE
CURB & GUTTER TYPE B-6.24



SECTION A-A

• SEE CROSS SECTIONS FOR SLOPE
SEE PLANS FOR EXISTING SURFACE TYPE

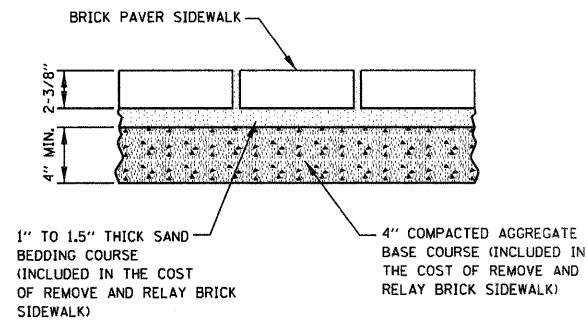


SECTION B-B

• SEE CROSS SECTIONS FOR SLOPE
SEE PLANS FOR EXISTING SURFACE TYPE

NOTE: ALL NON-TYPICAL RADII ARE SHOWN ON PLAN SHEETS

TYPE OF ENTRANCE	EXISTING MATERIAL	NEW ENTRANCE MATERIAL (BEYOND RADIUS RETURNS OR TAPERS)				
		PCC DRIVEWAY PAVEMENT (6")	PCC DRIVEWAY PAVEMENT (8")	INCIDENTAL HMA SURFACING (3")	AGGREGATE BASE COURSE TYPE B (2")	AGGREGATE SURFACE COURSE TYPE B (2")
PRIVATE	CONCRETE	X				
	BITUMINOUS			X	X	
	AGGREGATE					X
COMMERCIAL	CONCRETE		X			
	BITUMINOUS		X			
	AGGREGATE		X			



NOTE:
THE COST OF INSTALLING THE SALVAGED
BRICK PAVERS ON THE SAND BEDDING
COURSE AND AGGREGATE BASE COURSE
SHALL BE INCLUDED IN THE COST OF
REMOVE AND RELAY BRICK SIDEWALK.

BRICK SIDEWALK DETAIL
WITH COMPACTED AGGREGATE BASE