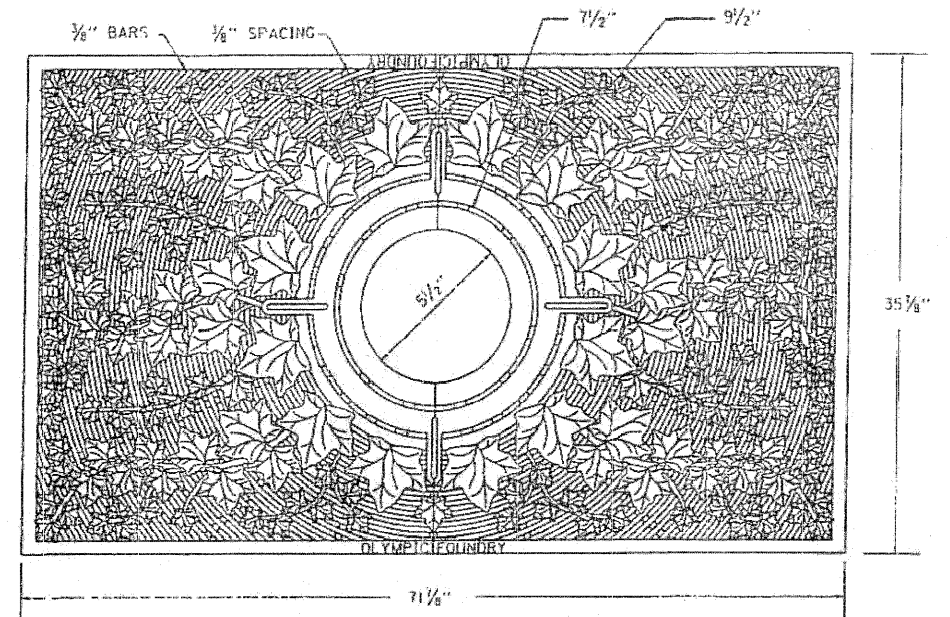
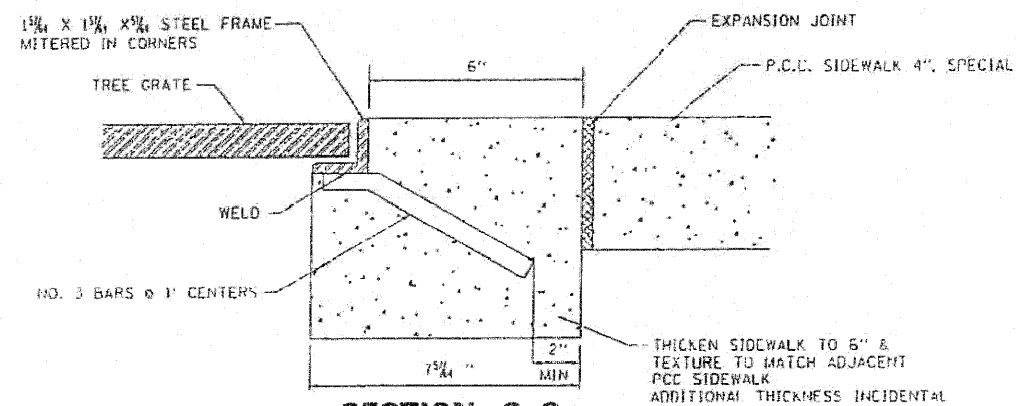


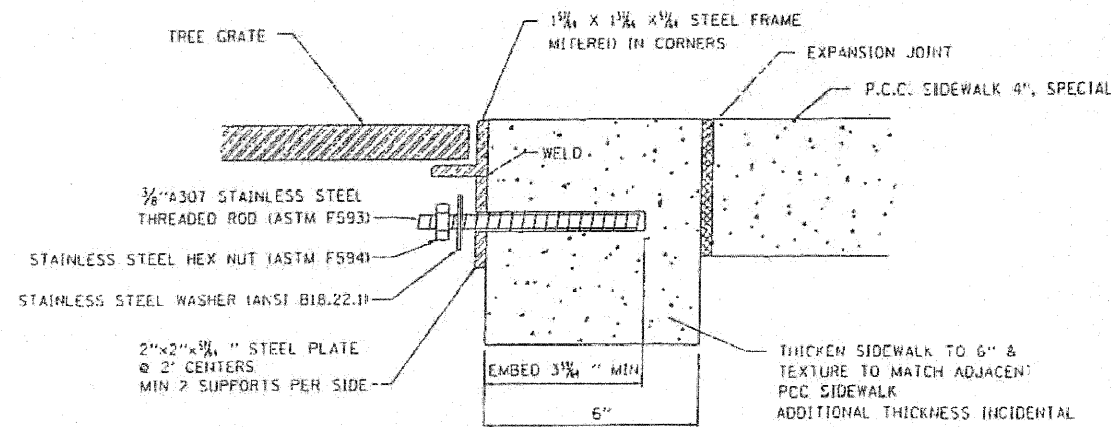
TREE GRATE FRAME DETAIL
(NOT TO SCALE)



TREE GRATE PLAN VIEW
(NOT TO SCALE)

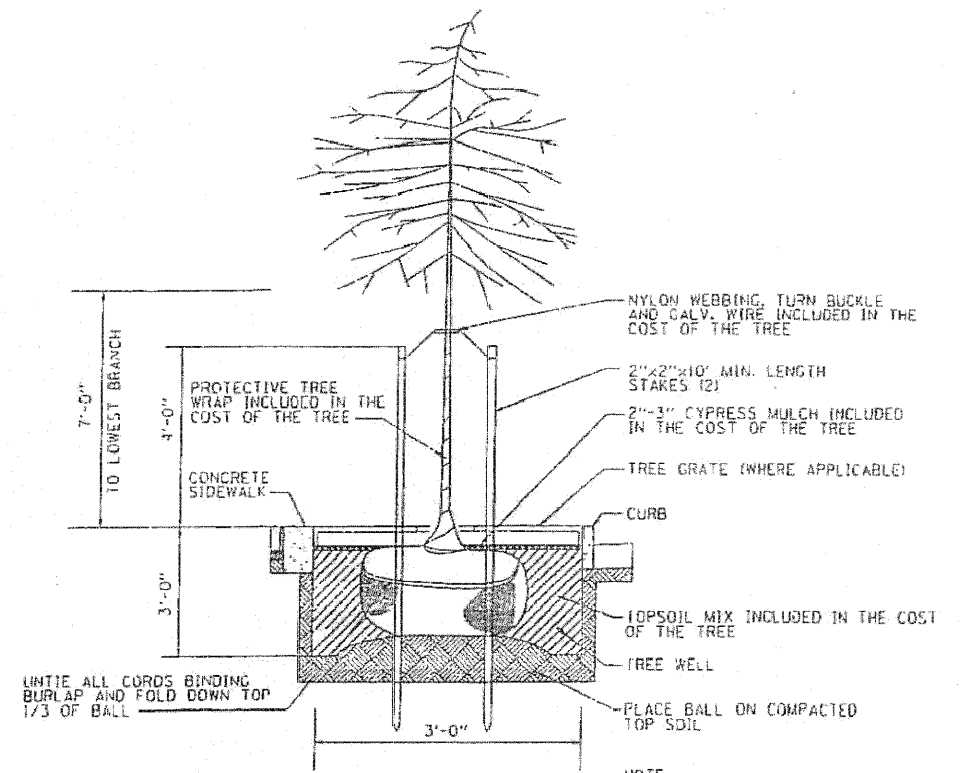


**SECTION C-C
TREE GRATE FRAME DETAIL
OPTION 1**
(NOT TO SCALE)



**SECTION C-C
TREE GRATE FRAME DETAIL
OPTION 2**
(NOT TO SCALE)

EMBED STAINLESS STEEL THREADED ROD WITH A CAPSULE OR ADHESIVE CARTRIDGE TYPE EPOXY SYSTEM. THE CONTRACTOR SHALL INSTALL THE RODS IN PRE-DRILLED HOLES ACCORDING TO THE MANUFACTURER'S RECOMMENDATIONS AND PROCEDURES. THE CAPSULE OR THE ADHESIVE CARTRIDGE SHALL BE SEALED WITH PREMEASURED AMOUNTS OF THE ADHESIVE CHEMICAL.



**STREET TREE
PLANTING DETAIL**
(NOT TO SCALE)

FILE NAME =	USER NAME = default	DESIGNED -	REVISED -
P:\Projects\513501\CADD\DWG\0876830-ah	details.dgn	DRAWN -	REVISED -
	PLOT SCALE = 20.0000' / 1"	CHECKED -	REVISED -
	PLOT DATE = 12/16/2009	DATE -	REVISED -

**STATE OF ILLINOIS
DEPARTMENT OF TRANSPORTATION**

TREE GRATE AND PLANTING DETAILS

SCALE: N/A SHEET NO. 1 OF 1 SHEETS STA. N/A TO STA. N/A

F.A.P. RTE.	SECTION	COUNTY	TOTAL SHEETS	SHEET NO.
600	60-(30,31,128)-1	MADISON/ST. CLAIR	399	241B
CONTRACT NO. 76830				
FED. ROAD DIST. NO. ILLINOIS FED. AID PROJECT				